

Product Information



3470UOR200P63

EAN 4031582304701

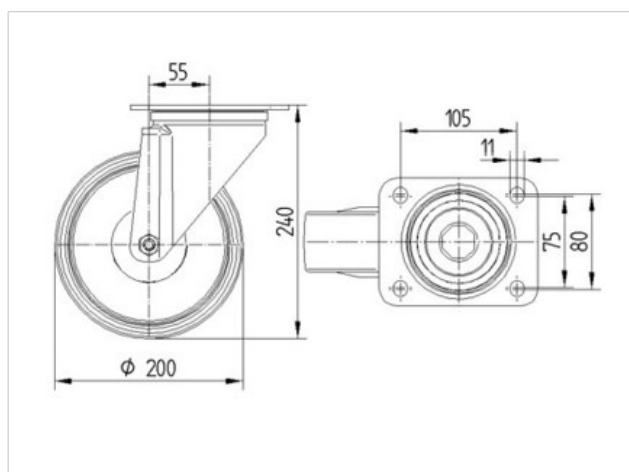
Swivel castor, housing made of pressed steel, bright zinc plated, blue passivated, double ball bearing swivel head, wheel axle with nut, dustguard, plate fitting.

Wheel centre made of Polyamide, roller bearing

Technical Data

Wheel diameter	200 mm
Width of Tread	50 mm
Size of Plate	137 x 105 mm
Plate hole centres	105 x 80/75 mm
Plate hole	11 mm
Offset	55 mm
Swivel Interference	310 mm
Overall height	240 mm
Temperature	- 40 / + 80 °C
Standard	EN 12532
Weight	2.391 kg
Swivel Radius	155 mm
Hardness of tread	D 75 Shore
Load capacity	350 kg
Load capacity (static)	700 kg

Roll performance	+	+	+	+	+
Movement noise	+	+	+	+	+
Attrition	+	+	+	+	+
Corrosion resistance	+	+	+	+	+



Product Information



3470UOR200P63

EAN 4031582304701

