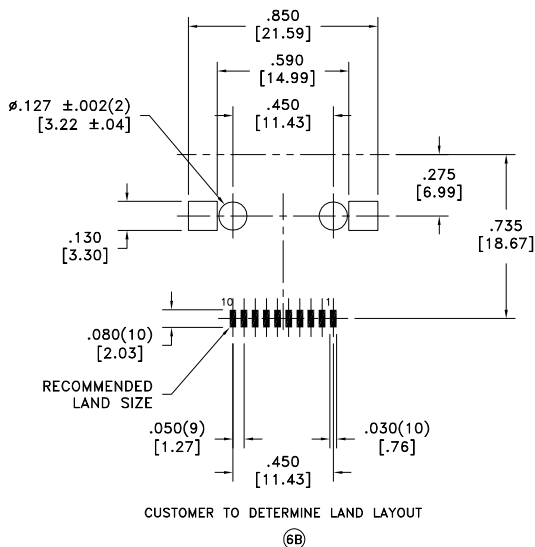
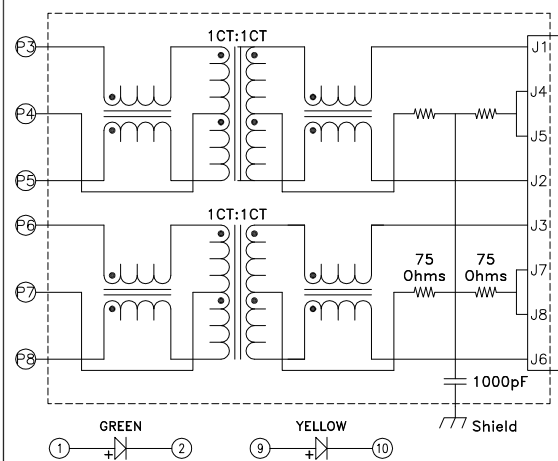
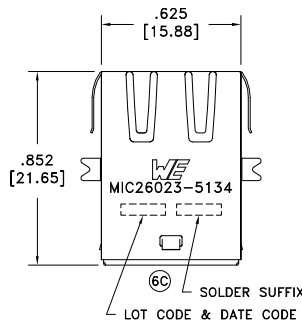
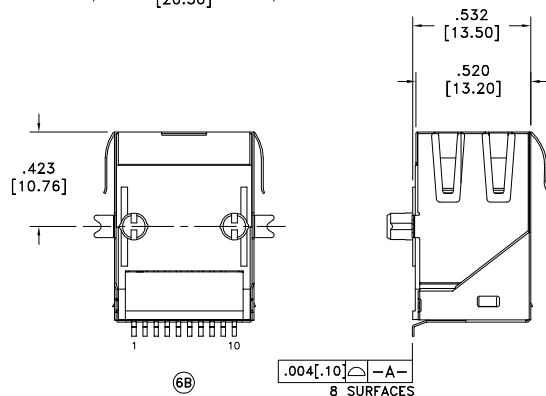
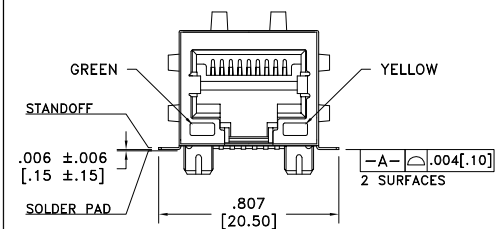


SOLDER SUFFIX	CUSTOMER TERMINAL	RoHS	LEAD(Pb)-FREE
LF3	Sn100%	Yes	No

more than you expect



**ELECTRICAL SPECIFICATIONS @ 25°C unless otherwise noted:**

INDUCTANCE: 350uH min., 100kHz, 100mV, 8mADC, J1-J2; J3-J6, Lp.  
 DIELECTRIC RATING: 1500Vrms for 1 minute between P3-J1(tie P5+P6).  
 TURNS RATIO/POLARITY: (P3-P5):(J1-J2) = 1:1, ±2%.  
 (P6-P8):(J3-J6) = 1:1, ±2%.  
 INSERTION LOSS: -1.0dB max., 1MHz - 100MHz.  
 RETURN LOSS: -18dB min., 1M - 30MHz.  
 -16dB min., 30M - 45MHz.  
 -14dB min., 45M - 60MHz.  
 -12dB min., 60M - 80MHz.  
 CROSSTALK: -35dB min., 1MHz - 100MHz.  
 COMMON MODE REJECTION: -35dB min., 1MHz - 100MHz.  
 OPERATING TEMPERATURE RANGE: 0°C to +70°C.

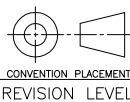
**⑥ MATERIAL AND FINISH:**

Housing: Thermoplastic LCP, Black per UL94 V-0  
 Shield: Brass with semi-bright nickel plating  
 Contact: Phosphor Bronze, base material  
 Contact Plating: 100% tin plating with nickel underplating, 30u" gold plating on contact area

LED (Yellow): Frwd Voltage typ.: 2.1V  
 Drive Current: 20mA  
 Wave Length: 589nm typ.  
 LED (Green): Frwd Voltage typ.: 2.2V  
 Drive Current: 20mA  
 Wave Length: 565nm typ.

RJ45 Jack cavity conforms to FCC rules and regulations Part 68.

REV.	DATE	Packaging Specifications
6C	7/13	Method: Tray PKG-0547 www.we-online.com/midcom
6B	11/09	
6A	9/07	SEE REVISION SHEET FOR REVISION LEVEL



Tolerances unless otherwise specified:  
 Angles: ±1°  
 Fractions: ±1/64  
 Decimals: ±0.010 [.25]  
 Footprint: ±0.003 [.08]  
 This drawing is dual dimensioned. Dimensions in brackets are in millimeters.

DRAWING TITLE  
**TRANSFORMER**  
 10/100Mbs  
 eiSos p/n: 7498011211



PART NO.  
**MIC26023-5134W-LF3**  
 SPECIFICATION SHEET 1 OF 1