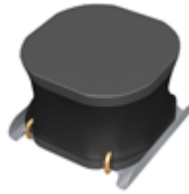


TOKO DG6045C SAMPLE KIT DATA SHEET

DG6045C



Features

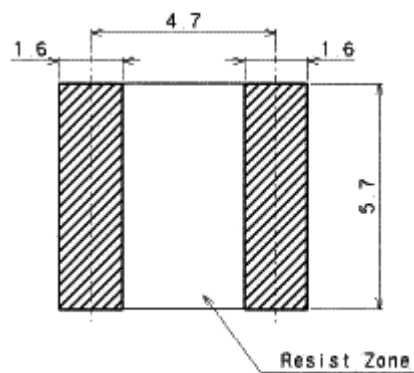
- Low Profile (H=4.5mm Max).
- Magnetic Shield.
- Ideal for a variety of DC-DC converter inductor applications.
- RoHS compliant

Electrical characteristics

Inductance range

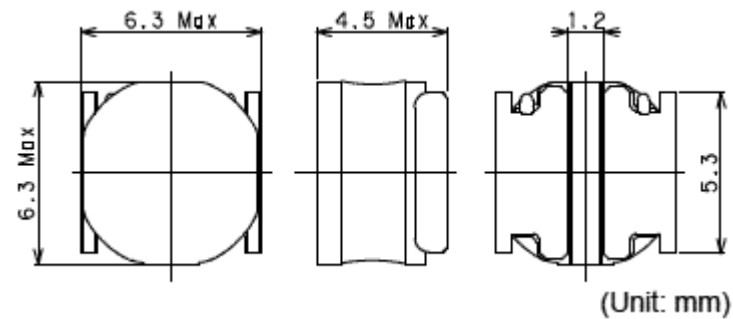
1.0 ~ 100 μ H

Recommended pattern



(Unit: mm)

Dimensions



(Unit: mm)

TOKO DG6045C SAMPLE KIT DATA SHEET

<u>TOKO PART NUMBER</u>	<u>INDUCTANCE (μH)</u>	<u>TOLERANCE (%)</u>	<u>DC RESISTANCE (mΩ) Max. (Typ.)</u>	<u>Temperature Rise Current⁽³⁾ T=40C (A) Max. (Typ.)</u>	<u>QUANTITY PER SAMPLE BOX</u>
1255AY-1R0N	1.0	+/-30%	10	6.5 (8.1)	5
1255AY-1R2N	1.2	+/-30%	12	5.9 (7.4)	5
1255AY-1R8N	1.8	+/-30%	14	5.3 (6.6)	5
1255AY-2R2N	2.2	+/-30%	16	4.7 (5.9)	5
1255AY-2R7N	2.7	+/-30%	18	4.6 (5.7)	5
1255AY-3R3N	3.3	+/-30%	21	4.4 (5.5)	5
1255AY-3R9N	3.9	+/-30%	22	4.2 (5.2)	5
1255AY-4R7M	4.7	+/-20%	23	4.0 (4.7)	5
1255AY-6R8M	6.8	+/-20%	36	3.4 (4.2)	5
1255AY-100M	10.0	+/-20%	47	2.9 (3.6)	5
1255AY-150M	15.0	+/-20%	63	2.4 (3.0)	5
1255AY-220M	22.0	+/-20%	98	1.9 (2.4)	5
1255AY-270M	27.0	+/-20%	135	1.8 (2.1)	5
1255AY-330M	33.0	+/-20%	145	1.5 (1.9)	5
1255AY-470M	47.0	+/-20%	210	1.3 (1.6)	5
1255AY-680M	68.0	+/-20%	310	1.0 (1.3)	5
1255AY-101M	100.0	+/-20%	460	0.9 (1.1)	5

1) Inductance is measured with a LCR meter 4284A (Agilent Technologies) or equivalent. Test frequency at 100kHz

(2) DC resistance is measured with 34420A (Agilent Technologies) or 3541(HIOKI). (Reference ambient temperature 25°C)

(3) Maximum allowable DC current is that which causes a 30% inductance reduction from the initial value, or coil temperature to rise by 40°C, whichever is smaller. (Reference ambient temperature 20°C)