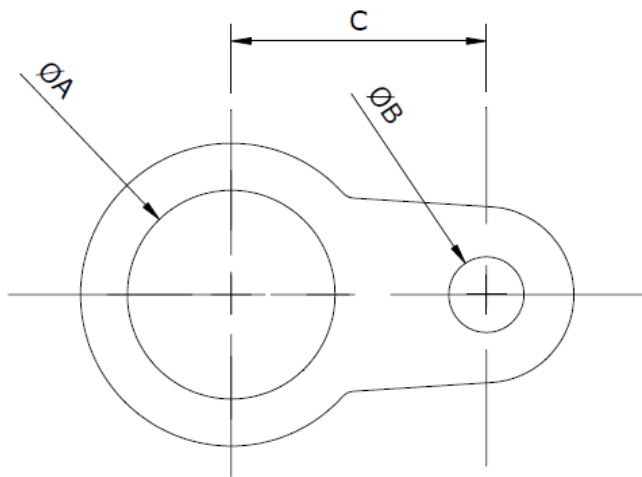


Earth Tags

- Description** - Brass plated bicon earth tag for use with kopex glands and fittings
- Material** - Steel with Brass Plating
- Intended Use** - To create an earth termination on any threaded fitting



PART No.	ØA	ØB	C
EX/M20/TAG	20.2/20.5	6.5/7.0	28.0/28.5
EX/M25/TAG	25.2/25.7	6.1/6.6	30.5/31.0
EX/M32/TAG	32.2/32.8	12.2/12.7	40.0/40.5
EX/M40/TAG	40.2/40.7	13.0/13.5	45.0/45.5
EX/M50/TAG	51.0/510.5	13.0/13.5	58.0/58.5
EX/M63/TAG	63.7/64.2	13.0/13.5	65.0/65.5
EX/M75/TAG	76.4/76.9	13.0/13.5	75.5/76.0