

## MC 1,5/ 3-G-3,5 THT


Order No.: 1937509

The figure shows a 10-position version of the product



Header, Nominal current: 8 A, Rated voltage (III/2): 160 V, Number of positions: 3, Pitch: 3.5 mm, Color: Black, Contact surface: Tin, Assembly: SMD/THT/THR, User information and design recommendations on through hole reflow technology can be found at: <http://www.combicon.com>

### Commercial data

EAN	 4 017918 890193
Note	Made-to-order
Pack	50 Pcs.
Customs tariff	85366990
Product key	AAAECB
Catalog page information	Page 196 (CC-2011)

### Product notes

WEEE/RoHS-compliant since:  
01/01/2003



<http://www.download.phoenixcontact.com>  
Please note that the data given here has been taken from the online catalog. For comprehensive information and data, please refer to the user documentation. The General Terms and Conditions of Use apply to Internet downloads.

### Technical data

#### Dimensions / positions

Length	9.2 mm
Pitch	3.5 mm

Dimension a	7 mm
Number of positions	3
Pin dimensions	0,8 x 0,8 mm
Hole diameter	1.4 mm

#### Technical data

Range of articles	MC 1,5/...G-THT
Insulating material group	IIIa
Rated surge voltage (III/3)	2.5 kV
Rated surge voltage (III/2)	2.5 kV
Rated surge voltage (II/2)	2.5 kV
Rated voltage (III/2)	160 V
Rated voltage (II/2)	250 V
Connection in acc. with standard	EN-VDE
Nominal current $I_N$	8 A
Nominal voltage $U_N$	160 V
Maximum load current	8 A (per position)
Insulating material	PA-GF
Inflammability class according to UL 94	V0
Color	Black
Nominal voltage, UL/CUL Use Group B	300 V
Nominal current, UL/CUL Use Group B	8 A
Nominal voltage, UL/CUL Use Group D	300 V
Nominal current, UL/CUL Use Group D	8 A

#### Certificates / Approvals

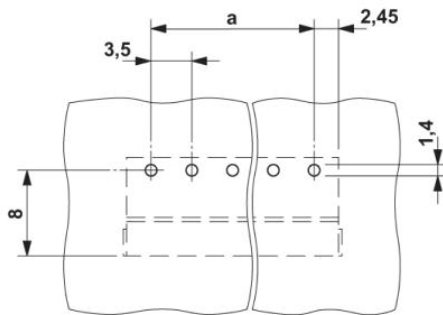


Certification

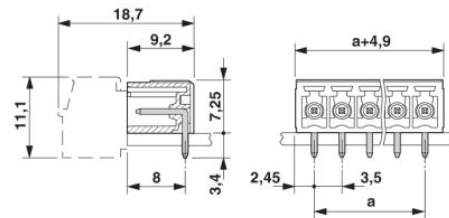
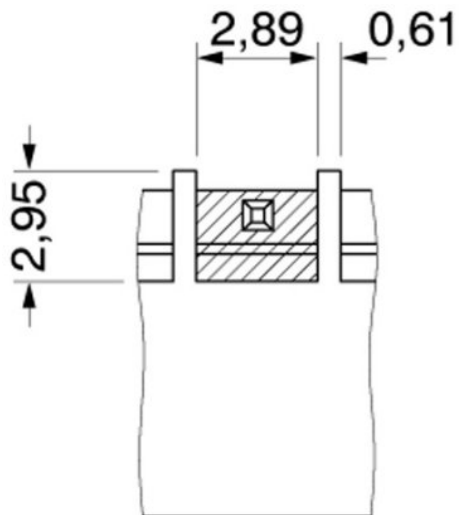
CB, CUL, GOST, UL, VDE-PZI

## Drawings

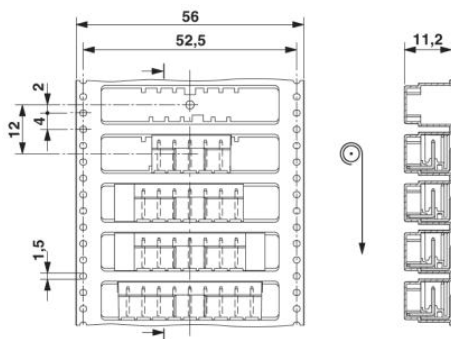
### Drilling plan/solder pad geometry



### Dimensioned drawing



Bottom view, free space for solder paste,  
0.3 mm deep



---

**Address**

PHOENIX CONTACT Inc., USA  
586 Fulling Mill Road  
Middletown, PA 17057, USA  
Phone (800) 888-7388  
Fax (717) 944-1625  
<http://www.phoenixcon.com>



© 2012 Phoenix Contact  
Technical modifications reserved;