

## SW-504 Industrial Unmanaged Ethernet Switch 4 Ports

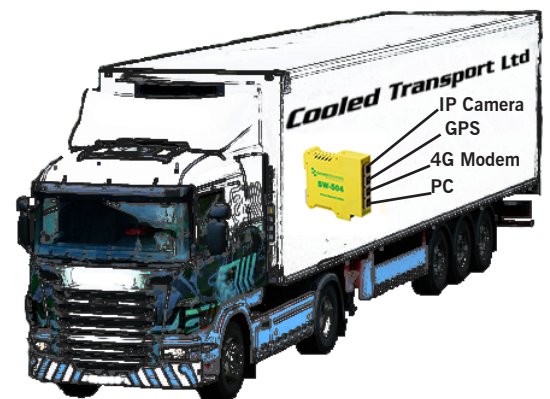
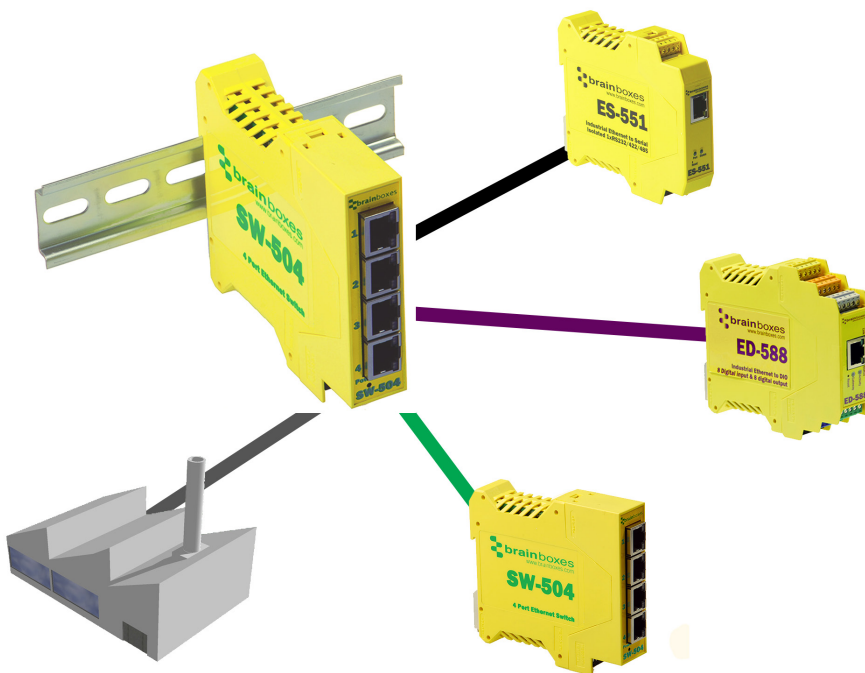
# SW-504

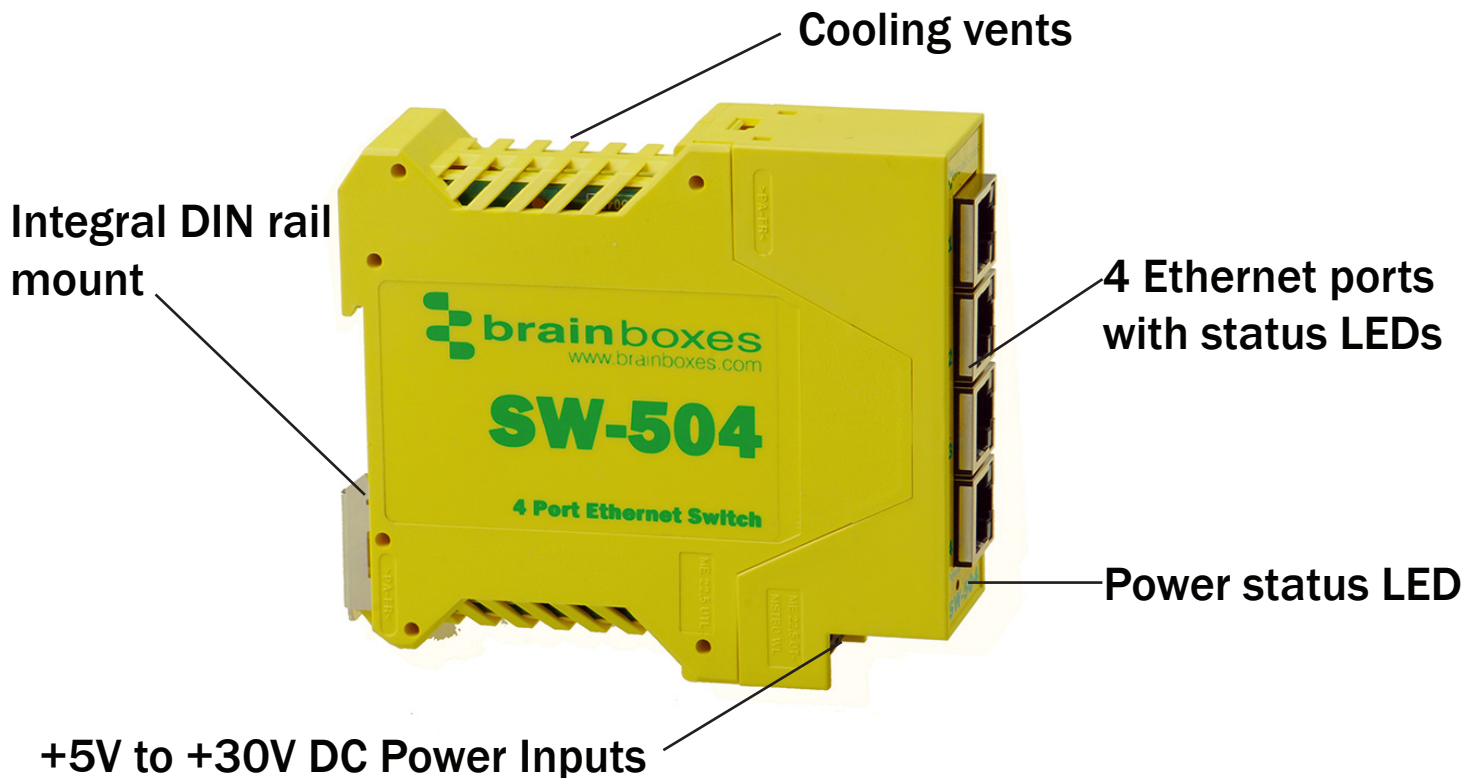
- 4 Port Ethernet Switch
- Galvanically Isolated Ports
- Redundant dual power inputs: +5V to +30V DC
- -40°C to +80°C operating range
- Ideal for factory floor, in vehicle and marine applications



### Connect and Extend your Network

+5 to +30 Volt Power Input enables the device to be run from a standard car battery - ideal for in vehicle applications





**Slim Shape:**  
Small foot print for when DIN rail space is a premium  
Only 22.6mm wide  
Functional earth connection to the DIN rail and non conducting case.



**Extended Temperature Range:**  
-40°C to +80°C operating range copes with changing temperatures for harsh environments.



**Brainboxes' Easy Wire Feature:**  
Removable screw terminal blocks with numbered pins makes wiring to power supply easier and quicker.



**Redundant Dual Power Input:**  
A second power supply can be fitted as a back-up to prevent down time should one power source fail.

# SW-504 Unmanaged Ethernet Switch

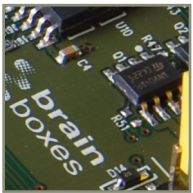


## Wide Range Input Power Supply:

+5VDC to +30VDC accommodates variation in the +24VDC factory floor and allows alternative power sources. Ideal for in vehicle applications or on board boats and yachts.



Can use 5 Volt power from any computer USB port via optional accessory cable PW-650 - Useful for testing the device from a laptop in the field.



## Galvanically isolated:

Each Ethernet port is galvanically isolated from the other Ethernet ports and from the power supply.



## HP Auto MDI/MDIX crossover support

Auto-MDI/MDIX eliminates the need for cross-over cable thus reducing installation costs. All 4 Ethernet ports are Auto MDIX and so straight through or crossover Ethernet cables can be used to connect to your Ethernet devices. Easy to use.



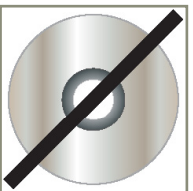
2k Byte maximum packet size – improves the efficiency of bulk data transfer and system performance

Automatic detection of data transmission speed: 10 or 100 MBps



Power consumption is optimised based on the status of the link device.

Energy detect power down for when the cable is not plugged in and power down/slow oscillator mode when the device is not in use.



No software needed:

Simply plug any ethernet cable into one of the four Ethernet ports on the device to connect it.



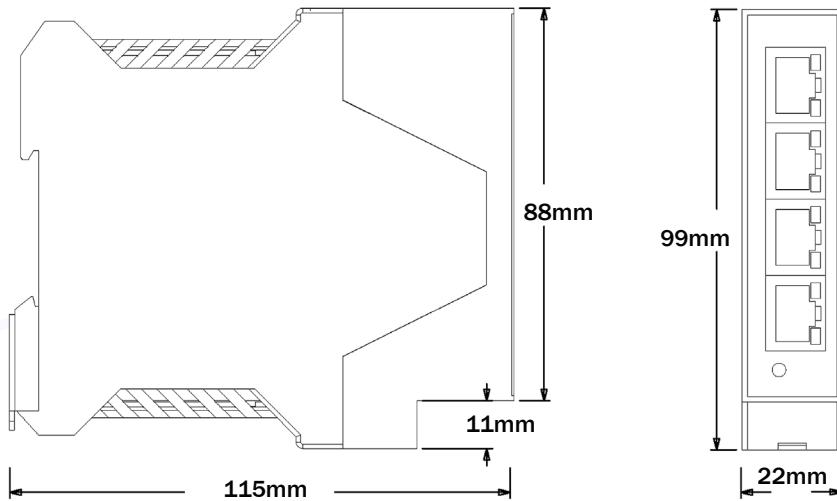
Lifetime Warranty and Support:

We can help with every aspect of your project, from getting you up and running to custom application.

# SW-504 Unmanaged Ethernet Switch

## Housing

IP-20 rated non-conducting polyamide case with integrated DIN rail mount



## Power Terminal Pin Outs

PIN	FUNCTION
1	GND
2	+V <sub>A</sub>
3	+V <sub>B</sub>
4	GND
5	EARTH

## Ethernet Ports x4 Pin Outs

PIN	FUNCTION
1	RD+ / TD+
2	RD- / TD-
3	TD+ / RD+
4	NC
5	NC
6	TD- / RD-
7	NC
8	NC

## Connectors

Screw Terminals 3.5mm pitch, #22 - #14, 0.5mm<sup>2</sup>-2.5mm<sup>2</sup> pin power supply  
 Wire Thickness 0.150 inch, 3.81mm, 20 pins, 12+8 screw terminals, #26 - #16 AWG, 0.14mm<sup>2</sup>-1.3mm<sup>2</sup>

## Power Supply

Power Consumption 1.1 Watts Max : 220 mAmps@+5VDC/36mAmps@+30VDC  
 Power Supply input unregulated +5V to +30Volts DC, reverse polarity protection  
 Isolation 1500VRMS Magnetic isolation from Ethernet

## Environmental

Operating Temperature -40°C to +80°C  
 Storage Temperature -40°C to +85°C  
 Ambient Relative Humidity 5 to 95% (non-condensing)

## Magjack LED Information

Link/Activity LED	Solid green	Connection established
	Flashing Green	Data communication
Speed LED	Green	100Base-Tx
	Unlit	10Base-T

## Ethernet

Ethernet Port 4 x RJ45 jack, 10/100Mhz autosensing, crossover auto sensing (Auto MDIX)  
 Protection 1,500Volts magnetic isolation between I/O ports and network

# SW-504 Unmanaged Ethernet Switch

## Packaging Information

Packaging	Quick Start Guide
Device	Ethernet Switch 4 port
Packaged Weight	0.168 kg, 5.93 ounces
Packaged Dims	150x150x50 mm, 5.9x5.9x2.0 inches
GTIN Universal Code	837324009873

## Approvals

Industry Approvals	CCC-Mark, C-Tick, Microsoft Certified Gold Partner, WEEE, RoHS, METL, AEO (C-TPAT)
--------------------	--



## Product Support

Warranty	Lifetime - online registration required
Support	Lifetime Web, Email and Phone Support from fully qualified, friendly staff who work in and alongside the Product Development Team



## Additional Information

OEM option	Available for bulk buy OEM
Made In	Manufactured in the UK by Brainboxes Winner 2005 European Electronics Industry Awards 'Manufacturer of the Year'
Customisable	Brainboxes operate a 'Perfect Fit Custom Design' policy for volume users. More info: sales@brainboxes.com

## Optional Accessory Items

### PW-600 Global Power supply



Power supply with connectors for UK, USA, EU and AUS mains socket. 'Tails' are suitable for connecting to screw terminal blocks

### PW-650 5V from USB Power supply



USB connector fits any standard USB port, such as on a laptop or desktop PC, providing 5V power to a prewired screw terminal block useful for when you are configuring your SW device