

3470UFR100P62 blue

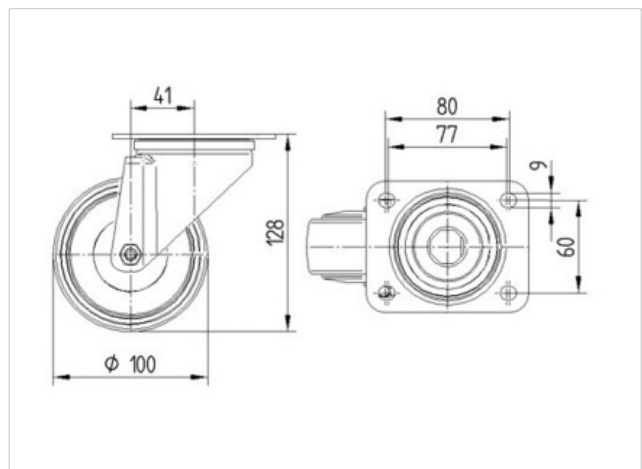
EAN 4031582304411

Swivel castor, housing made of pressed steel, bright zinc plated, blue passivated, double ball bearing swivel head, wheel axle with nut, dustguard, plate fitting.

Wheel centre made of Polyamide, Tread: elastic-tyre, non-marking, roller bearing

Technical Data	
Wheel diameter	100 mm
Width of Tread	34 mm
Size of Plate	105 x 85 mm
Plate hole centres	80/77 x 60 mm
Plate hole	9 mm
Offset	41 mm
Swivel Interference	182 mm
Overall height	128 mm
Temperature	- 20 / + 80 °C
Standard	EN 12532
Weight	0.87 kg
Swivel Radius	91 mm
Hardness of tread	A 64 Shore
Load capacity	160 kg
Load capacity (static)	320 kg

Roll performance	+	+	+	+	+
Movement noise	+	+	+	+	+
Attrition	+	+	+	+	+
Corrosion resistance	+	+	+	+	+





3470UFR100P62 blue

EAN 4031582304411

