



Product Datasheet

ENGLISH

RS- HRC Coupling Inserts, F and H Flange Type

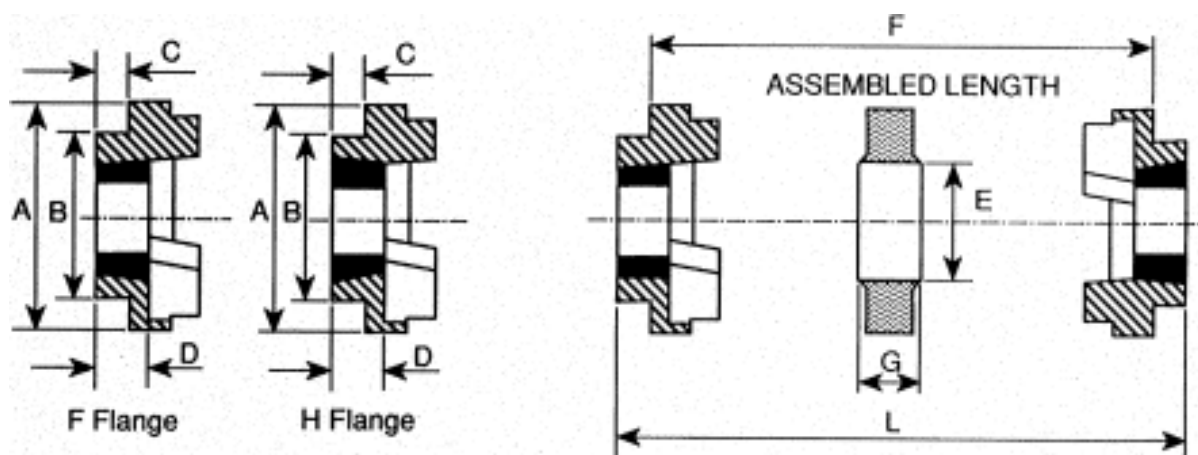


RS Coupling Inserts

HRC semi elastic couplings for general purpose use and available as F flange type, bush mounted from inside, and H flange bush, inserted from outside face. Taper bush fixing allows quick and easy assembly and alignment can be checked easily using a straightedge. Inserts are made from standard nitrile rubber. HRC couplings can accommodate minor misalignment.

Available as F flange type, bush mounted from inside, and H flange bush, inserted from outside face

Technical data:



| RS Stock | Size (mm) | Max Bore Size (mm) | A (mm) | B (mm) | C (mm) | D (mm) | Bush Type | E (mm) | F (mm) | G (mm) | L (mm) |
|----------|-----------|--------------------|--------|--------|--------|--------|-----------|--------|--------|--------|--------|
| 183186 | 70 | 25 | 69 | 60 | 20 | 23.5 | 1008 | - | 25 | - | 65 |
| 183192 | 90 | 28 | 85 | 70 | 19.5 | 23.5 | 1108 | - | 30.5 | - | 69.5 |
| 183209 | 110 | 42 | 112 | 100 | 18.5 | 26.5 | 1610 | - | 45 | - | 82 |
| 184763 | 130 | 42 | 130 | 105 | 19 | 26.5 | 1610 | - | 53 | - | 89 |
| 184785 | 70 | 25 | 69 | 60 | 20 | 23.5 | 1008 | - | 25 | - | 65 |
| 184735 | 90 | 28 | 85 | 70 | 19.5 | 23.5 | 1108 | - | 30.5 | - | 69.5 |
| 184779 | 110 | 42 | 112 | 100 | 18.5 | 26.5 | 1610 | - | 45 | - | 82 |
| 184684 | 130 | 42 | 130 | 105 | 19 | 26.5 | 1610 | - | 53 | - | 89 |
| 183782 | 70 | 25 | - | - | - | - | 1008 | 31 | 25 | 18 | 65 |
| 183798 | 90 | 28 | - | - | - | - | 1108 | 32 | 30.5 | 22.5 | 69.5 |
| 183805 | 110 | 42 | - | - | - | - | 1610 | 45 | 45 | 29 | 82 |
| 183811 | 130 | 42 | - | - | - | - | 1610 | 50 | 53 | 36 | 89 |