

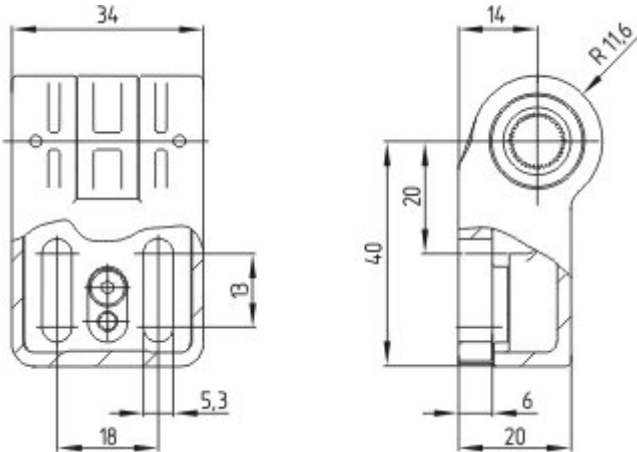
## Datasheet - adjustable hinge L

Safety switch for hinged guards / Hinge safety switch / TV8S  
521 / Accessories



# SCHMERSAL

Preferred typ



(Minor differences between the printed image and the original product may exist!)

### Ordering details

Product type description	Justierbares Scharnier L
Article number	1138413
EAN code	4030661104539

### Global Properties

Product name	Festes Scharnier
Weight	140 g

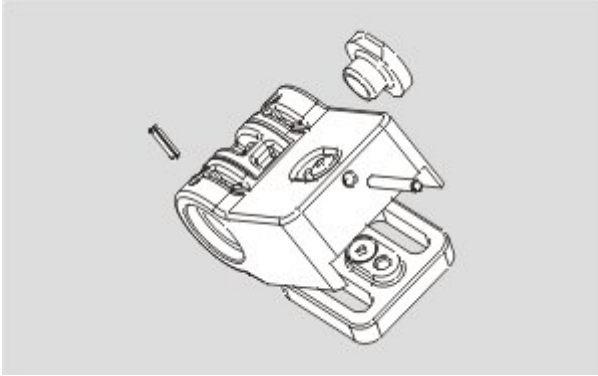
### Dimensions

Dimensions	
- Width	34 mm
- Height	40 mm

### Included in delivery

blanking plug	
Locating pins	
Screws M 5 x 20 to ISO 7380	2 piece

### Images



Operating principle

---

K.A. Schmersal GmbH, Möddinghofe 30, D-42279 Wuppertal

The data and values have been checked thoroughly. Technical modifications and errors excepted.

Generiert am 10.10.2011 - 10:53:03h Kasbase 1.5.5 DBI