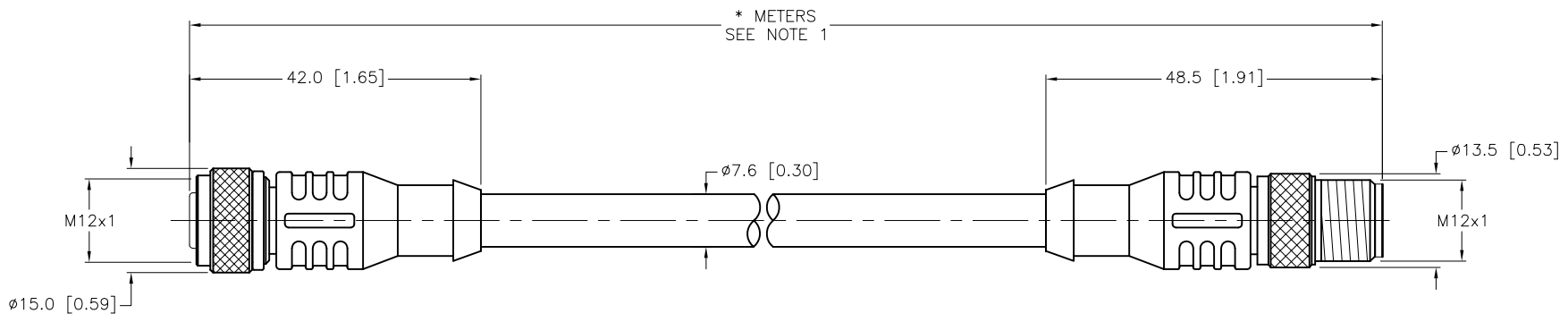


SPECIFICATIONS	
CONTACT CARRIER MATERIAL	TPU or NYLON
MOLDED HEAD MATERIAL/COLOR	TPU/YELLOW
CONTACT MATERIAL/PLATING	BRASS/GOLD
COUPLING NUT MATERIAL/PLATING	BRASS/NICKEL
RATED VOLTAGE [V]	250 V
RATED CURRENT [A]	4.0 A
OUTER JACKET MATERIAL/COLOR	PVC/GRAY
CONDUCTOR INSULATION MATERIAL	PVC
CONDUCTORS [AWG]	5x18 AWG
TEMPERATURE RATING	-40°C TO +105°C (-40°F TO 221°F)
PROTECTION CLASS	MEETS NEMA 1,3,4,6P AND IEC IP68



CABLE LENGTH	TOLERANCE
ALL LENGTHS	+ 4% (OR 50mm) OF LENGTH - 0% (OR 0mm) OF LENGTH WHICHEVER IS GREATER
STRIP LENGTH	TOLERANCE
0-7mm	±0.5mm
8-29mm	±1.0mm
30-49mm	±2.0mm
50-69mm	±3.0mm
70-100mm	±4.0mm
OVER 100mm	±5.0mm

NOTES:
 1. "*" DESIGNATES LENGTH IN METERS. CONTACT TURCK TO ORDER SPECIFIC LENGTHS.
 2. "/S1538" INDICATES 18 AWG CABLE #10150630.

SOURCE DRAWING - FOR REFERENCE ONLY

RELATED DOCUMENTS 1. 2. 3. 4.	3RD ANGLE PROJECTION 	THIS DRAWING IS CONFIDENTIAL AND THE PROPERTY OF TURCK INC. USE OF THIS DOCUMENT WITHOUT WRITTEN PERMISSION IS PROHIBITED.		TURCK INC <i>High Technology Sensors and Automation Controls</i> 3000 CAMPUS DRIVE MINNEAPOLIS, MN 55441 1-800-544-7769 (763) 553-7300 (763) 553-0708 fax turck.com	
		MATERIAL	DRFT CBM APVD	DATE 04/29/99 SCALE 1=1.0	DESCRIPTION RKC 4.5T-*--RSC 4.5T/S1538
FINISH	ALL DIMENSIONS DISPLAYED ON THIS DRAWING ARE FOR REFERENCE ONLY CONTACT TURCK FOR MORE INFORMATION	UNIT OF MEASUREMENT MILLIMETER [INCH]		IDENTIFICATION NO.	REV D
DO NOT SCALE THIS DRAWING		FILE: 777000876		SHEET 1 OF 1	

D	UPDATE CABLE DIAMETER	RDS	04/11/12	37043
REV	DESCRIPTION	BY	DATE	ECO NO.