

## Datasheet

# Stainless Steel Threaded Fitting Hose Nipple

RS Stock number [499-3805](#)



### Features:

Stainless Steel  
150lbs fittings  
Material: S/S 316  
With BSP Screwed end  
Investment casting  
Barrel nipple is made from S/40 pipe

### Specifications:

Connection 1: 2 in R Male  
Connection 2: 51.5 mm Barbed Male  
Connection Gender 1: Male  
Connection Gender 2: Male  
Fitting Type: Hose Nipple  
Thread Size 1: 2 in  
Thread Standard 1: R

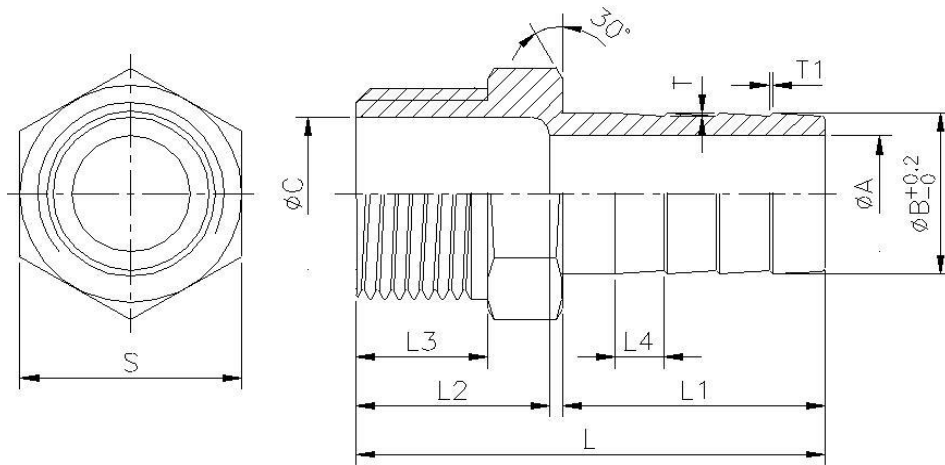


Figure 1

**Measurements:**

A	B	C	L	L1	L2	L3	L4	S	T	T1	Weight (kg)
44	51.5	51.5	87.5	53.5	28	22.5	10.4	61.5	0.5	0.5	0.44

All measurements given in the above table are given in mm unless otherwise stated. These measurements are for Figure 1 above.