

Robert Bosch GmbH
Power Tools Division
70745 Leinfelden-Echterdingen

www.bosch-pt.com

1 609 929 M81 (2007.12) O / 77

GSR Professional

9,6-2 | 12-2 | 14,4-2



us Original operating instructions

cn 正本使用说明书

tw 正本使用說明書

kr 사용 설명서 원본

th หนังสือคู่มือการใช้งานฉบับต้นแบบ

id Petunjuk-Petunjuk untuk

Penggunaan Orisinal

vn Bảng hướng dẫn nguyên bản

fr Notice originale

ar تعليمات التشغيل الأصلية

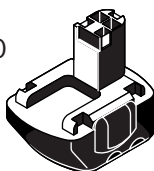
fa راهنمای طرز کار اصلی



English	Page 6
中文.....	页 14
中文.....	頁 20
한국어.....	면 26
ภาษาไทย.....	หน้า 33
Bahasa Indonesia	Halaman 40
Tiếng Việt.....	Trang 49
Français	Page 56
عربي	صفحة 64
فارسی	صفحه 70



2 608 572 080

**9,6 V (NiCd)**

2 607 335 708 (1,5 Ah)

2 607 335 260 (2,0 Ah)

12 V (NiCd)

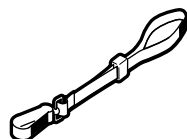
2 607 335 710 (1,5 Ah)

2 607 335 262 (2,0 Ah)

14,4 V (NiCd)

2 607 335 712 (1,5 Ah)

2 607 335 264 (2,0 Ah)



2 601 398 013

9,6 V (NiMH)

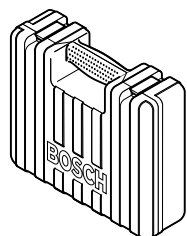
2 607 335 414 (2,0 Ah)

12 V (NiMH)

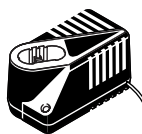
2 607 335 698 (2,0 Ah)

14,4 V (NiMH)

2 607 335 700 (2,0 Ah)



2 605 438 606

**AL 1411 DV****(7,2 – 14,4 V)**

2 607 224 392 (EU)

2 607 224 394 (UK)

2 607 224 396 (AUS)

**AL 1419 DV****(7,2 – 14,4 V)**

2 607 224 440 (EU)

2 607 224 442 (UK)

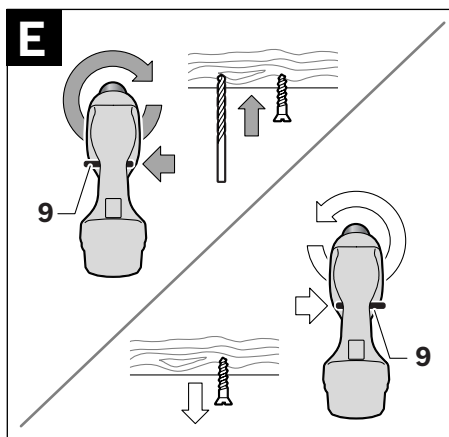
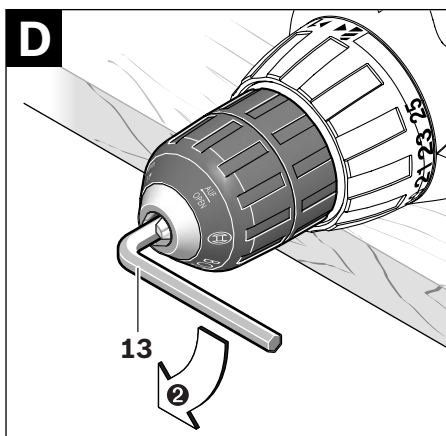
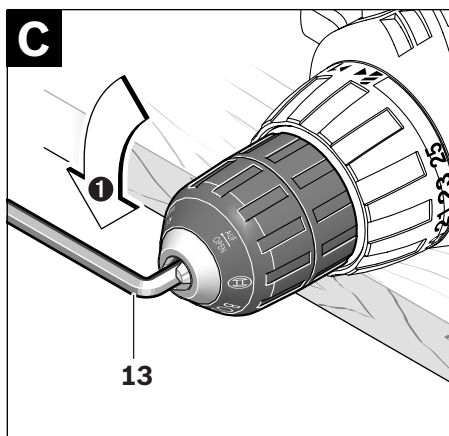
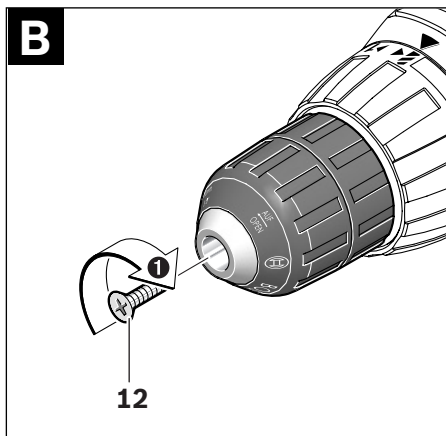
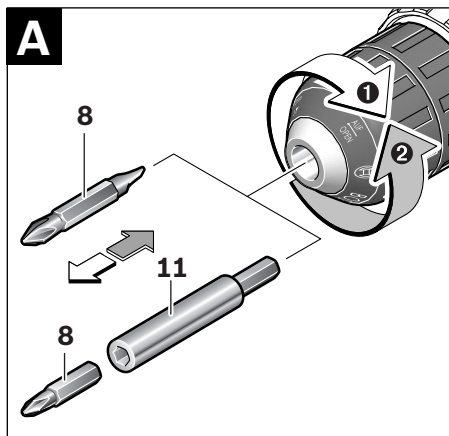
2 607 224 444 (AUS)

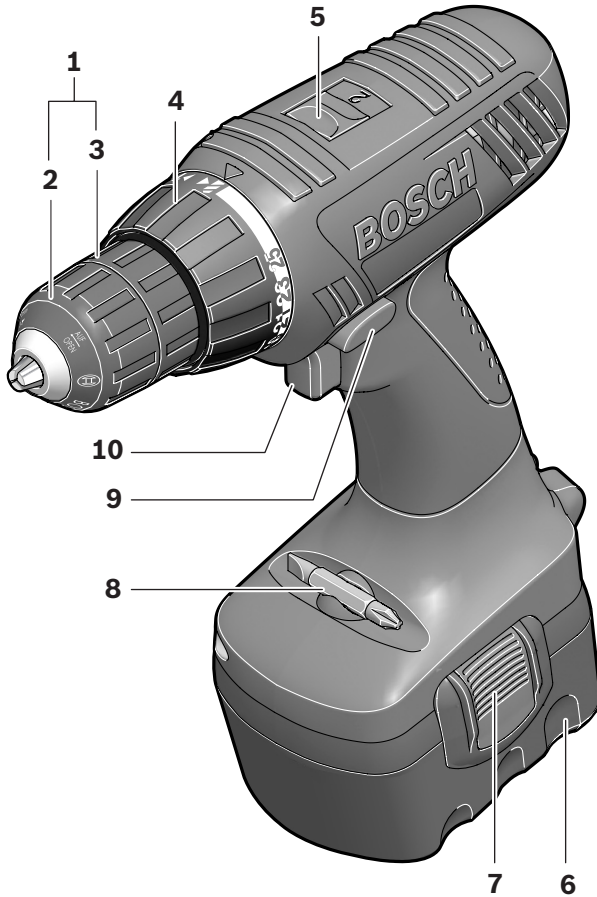
**AL 1450 DV****(7,2 – 14,4 V)**

2 607 224 702 (EU)

2 607 224 704 (UK)

2 607 224 706 (AUS)





GSR 14,4-2 Professional

General Power Tool Safety

Warnings

⚠ WARNING Read all safety warnings and all instructions. Failure to follow the warnings and instructions may result in electric shock, fire and/or serious injury.

Save all warnings and instructions for future reference.

The term “power tool” in the warnings refers to your mains-operated (corded) power tool or battery-operated (cordless) power tool.

1) Work area safety

- a) **Keep work area clean and well lit.** Cluttered or dark areas invite accidents.
- b) **Do not operate power tools in explosive atmospheres, such as in the presence of flammable liquids, gases, or dust.** Power tools create sparks which may ignite the dust or fumes.
- c) **Keep children and bystanders away while operating a power tool.** Distractions can cause you to lose control.

2) Electrical safety

- a) **Power tool plugs must match the outlet. Never modify the plug in any way. Do not use any adapter plugs with earthed (grounded) power tools.** Unmodified plugs and matching outlets will reduce the risk of electric shock.
- b) **Avoid body contact with earthed or grounded surfaces, such as pipes, radiators, ranges and refrigerators.** There is an increased risk of electric shock if your body is earthed or grounded.
- c) **Do not expose power tools to rain or wet conditions.** Water entering a power tool will increase the risk of electric shock.
- d) **Do not abuse the cord. Never use the cord for carrying, pulling or unplugging the power tool. Keep cord away from heat, oil, sharp edges or moving parts.** Damaged or entangled cords increase the risk of electric shock.

e) **When operating a power tool outdoors, use an extension cord suitable for outdoor use.** Use of a cord suitable for outdoor use reduces the risk of electric shock.

f) **If operating a power tool in a damp location is unavoidable, use a ground fault circuit interrupter (GFCI) or an earth leakage circuit breaker (ELCB).** Use of a GFCI or an ELCB reduces the risk of electric shock.

3) Personal safety

- a) **Stay alert, watch what you are doing and use common sense when operating a power tool. Do not use a power tool while you are tired or under the influence of drugs, alcohol, or medication.** A moment of inattention while operating power tools may result in serious personal injury.
- b) **Use personal protective equipment. Always wear eye protection.** Protective equipment such as dusk mask, non-skid safety shoes, hard hat or hearing protection used for appropriate conditions will reduce personal injuries.
- c) **Prevent unintentional starting. Ensure the switch is in the off position before connecting to power source and/or battery pack, picking up or carrying the tool.** Carrying power tools with your finger on the switch or energizing power tools that have the switch on invites accidents.
- d) **Remove any adjusting key or wrench before turning the power tool on.** A wrench or a key that is left attached to a rotating part of the power tool may result in personal injury.
- e) **Do not overreach. Keep proper footing and balance at all times.** This enables better control of the power tool in unexpected situations.
- f) **Dress properly. Do not wear loose clothing or jewelry. Keep your hair, clothing, and gloves away from moving parts.** Loose clothes, jewelry, or long hair can be caught in moving parts.

- g) If devices are provided for the connection of dust extraction and collection facilities, ensure these are connected and properly used.** Use of dust collection can reduce dust-related hazards.
- 4) Power tool use and care**
- a) Do not force the power tool. Use the correct power tool for your application.** The correct power tool will do the job better and safer at the rate for which it is designed.
- b) Do not use the power tool if the switch does not turn it on or off.** Any power tool that cannot be controlled with the switch is dangerous and must be repaired.
- c) Disconnect the plug from the power source and/or the battery pack from the power tool before making any adjustments, changing accessories, or storing power tools.** Such preventive safety measures reduce the risk of starting the power tool accidentally.
- d) Store idle power tools out of the reach of children and do not allow persons unfamiliar with the power tool or these instructions to operate the power tool.** Power tools are dangerous in the hands of untrained users.
- e) Maintain power tools. Check for misalignment or binding of moving parts, breakage of parts and any other condition that may affect the power tool's operation. If damaged, have the power tool repaired before use.** Many accidents are caused by poorly maintained power tools.
- f) Keep cutting tools sharp and clean.** Properly maintained cutting tools with sharp cutting edges are less likely to bind and are easier to control.
- g) Use the power tool, accessories, tool bits etc. in accordance with these instructions, taking into account the working conditions and the work to be performed.** Use of the power tool for operations different from those intended could result in a hazardous situation.
- 5) Battery tool use and care**
- a) Recharge only with the charger specified by the manufacturer.** A charger that is suitable for one type of battery pack may create a risk of fire when used with another battery pack.
- b) Use power tools only with specifically designated battery packs.** Use of any other battery packs may create a risk of injury and fire.
- c) When battery pack is not in use, keep it away from other metal objects, like paper clips, coins, keys, nails, screws or other small metal objects, that can make a connection from one terminal to another.** Shorting the battery terminals together may cause burns or a fire.
- d) Under abusive conditions, liquid may be ejected from the battery; avoid contact. If contact accidentally occurs, flush with water. In liquid contacts eyes, additionally seek medical help.** Liquid ejected from the battery may cause irritation or burns.
- 6) Service**
- a) Have your power tool serviced by a qualified repair person using only identical replacement parts.** This will ensure that the safety of the power tool is maintained.

Power Tool-specific Safety Warnings

- ▶ **Use suitable detectors to determine if utility lines are hidden in the work area or call the local utility company for assistance.** Contact with electric lines can lead to fire and electric shock. Damaging a gas line can lead to explosion. Penetrating a water line causes property damage.
- ▶ **Switch off the power tool immediately when the tool insert jams. Be prepared for high reaction torque that can cause kickback.** The tool insert jams:
 - the power tool is subject to overload or
 - it becomes wedged in the workpiece.

- ▶ **Hold the power tool only by the insulated gripping surfaces, when performing an operation where the cutting tool may run into hidden wiring.** Contact with a “live” wire will make exposed metal parts of the tool “live” and shock the operator.
- ▶ **Hold the power tool with a firm grip.** High reaction torque can briefly occur while driving in and loosening screws.
- ▶ **Secure the workpiece.** A workpiece clamped with clamping devices or in a vice is held more secure than by hand.
- ▶ **Keep your workplace clean.** Blends of materials are particularly dangerous. Dust from light alloys can burn or explode.
- ▶ **Always wait until the power tool has come to a complete stop before placing it down.** The tool insert can jam and lead to loss of control over the power tool.
- ▶ **Avoid unintentional switching on. Ensure the On/Off switch is in the off position before inserting battery pack.** Carrying the power tool with your finger on the On/Off switch or inserting the battery pack into power tools that have the switch on invites accidents.
- ▶ **Do not open the battery.** Danger of short-circuiting.



Protect the battery against heat, e.g., also against continuous sun irradiation and fire. There is danger of explosion.

Functional Description



Read all safety warnings and all instructions. Failure to follow the warnings and instructions may result in electric shock, fire and/or serious injury.

While reading the operating instructions, unfold the graphics page for the tool and leave it open.

Intended Use

The tool is intended for driving in and loosening screws as well as for drilling in wood, metal, ceramic and plastic.

Product Features

The numbering of the product features refers to the illustration of the power tool on the graphics page.

- 1 Keyless chuck
- 2 Front sleeve
- 3 Rear sleeve
- 4 Torque preselection ring
- 5 Gear selection lever
- 6 Battery*
- 7 Battery release button
- 8 Screwdriver bit*
- 9 Rotational direction switch
- 10 On/Off switch
- 11 Universal bit holder*
- 12 Securing screw for keyless chuck
- 13 Hex key**

***The accessories illustrated or described are not included as standard delivery.**

****Commercially available (not included in the delivery scope)**

Technical Data

Cordless Screwdriver		GSR 9,6-2 Professional	GSR 12-2 Professional	GSR 14,4-2 Professional
Article number		3 601 J18 L..	3 601 J18 J..	3 601 J18 G..
Rated voltage	V=	9.6	12	14.4
No-load speed				
– 1st gear	rpm	0–400	0–400	0–400
– 2nd gear	rpm	0–1000	0–1200	0–1400
Max. torque for hard/soft screwdriving application according to ISO 5393	Nm	25/10	27/11	30/15
Maximum drilling diameter (1st/2nd gear)				
– Steel	mm	10/10	12/12	12/12
– Wood	mm	20/13	23/14	26/19
Max. screw dia.	mm	6	7	8
Chuck clamping range	mm	1–10	1–10	1–10
Drill spindle thread		3/8"	3/8"	3/8"
Weight according to EPTA-Procedure 01/2003	kg	1.5	1.6	1.7

Please observe the article number on the type plate of your power tool. The trade names of individual tools may vary.

Assembly

Battery Charging

A new battery or a battery that has not been used for a longer time produces full power only after approximately five charge/discharge cycles.

To remove the battery **6**, press the unlocking buttons **7** and pull out the battery downwards. **Do not exert any force.**

The battery is equipped with an NTC temperature control which allows charging only within a temperature range of between 0 °C and 45 °C. A long battery service life is achieved in this manner.

A significantly reduced working period after charging indicates that the battery is used and must be replaced.

Observe the notes for disposal.

Changing the Tool (see figure A)

- **Before any work on the power tool (e. g., maintenance, tool change, etc.) as well as during transport and storage, set the rotational direction switch to the center position.** Unintentional actuation of the On/Off switch can lead to injuries.

Hold the rear sleeve **3** of the keyless chuck **1** tightly and turn the front sleeve **2** in rotation direction **⚙**, until the tool can be inserted. Insert the tool.

Hold the rear sleeve **3** of the keyless chuck **1** tight and firmly turn the front sleeve **2** in rotation direction **⚙** by hand.

The locking is released again to remove the tool when the front sleeve **2** is turned in the opposite direction.

Replacing the Drill Chuck

- ▶ **Before any work on the power tool (e. g., maintenance, tool change, etc.) as well as during transport and storage, set the rotational direction switch to the center position.** Unintentional actuation of the On/Off switch can lead to injuries.

Removing the Securing Screw (see figure B)

The keyless chuck **1** is secured with a securing screw **12** against unintentional loosening from the drill spindle. Completely open the keyless chuck **1** and unscrew the securing screw **12** in rotation direction **⚙**. **Please note that the securing screw has a left-hand thread.**

Removing the Drill Chuck (see figure C)

Clamp the short end of a hex key **13** into the keyless chuck **1**.

Place the machine on a stable surface (e. g. a workbench). Hold the machine firmly and loosen the keyless chuck **1** by turning the hex key **13** in rotation direction **⚙**. Loosen a tight-seated keyless chuck by giving the long end of the hex key **13** a light blow. Remove the hex key from the keyless chuck and completely unscrew the keyless chuck.

Mounting the Drill Chuck (see figure D)

The keyless chuck is mounted in reverse order.

Note: After mounting the keyless chuck, screw the securing screw **12** back in again.



The drill chuck must be tightened with a tightening torque of approx. 35–40 Nm.

Dust/Chip Extraction

- ▶ Dusts from materials such as lead-containing coatings, some wood types, minerals and metal can be harmful to one's health. Touching or breathing-in the dusts can cause allergic reactions and/or lead to respiratory infections of the user or bystanders. Certain dusts, such as oak or beech dust, are considered as carcinogenic, especially in connection with wood-treatment additives (chromate, wood preservative). Materials containing asbestos may only be worked by specialists.

- Use dust extraction whenever possible.
- Provide for good ventilation of the working place.
- It is recommended to wear a P2 filter-class respirator.

Observe the relevant regulations in your country for the materials to be worked.

Operation

Starting Operation

Inserting the Battery

- ▶ **Use only original Bosch O-pack batteries with the voltage given on the type plate of your machine.** The use of other batteries can lead to injuries and danger of fire.

Set the rotational direction switch **9** to the center position in order to avoid unintentional starting. Insert the charged battery **6** into the handle so that it can be felt to engage and faces flush against the handle.

Reversing the Rotational Direction (see figure E)

The rotational direction switch **9** is used to reverse the rotational direction of the machine. However, this is not possible with the On/Off switch **10** actuated.

Right Rotation: For drilling and driving in screws, push the rotational direction switch **9** left to the stop.

Left Rotation: For loosening or unscrewing screws, push the rotational direction switch **9** right to the stop.

Setting the Torque

The required torque can be preselected in 25 steps with the torque preselection ring **4**. With the correct setting, the insert tool is stopped as soon as the screw is screwed flush into the material or when the set torque is reached. Select a higher setting when driving out screws, or set to the "Drilling" symbol.

Gear Selection, Mechanical

- ▶ **Actuate the gear selection lever 5 only when the machine is at a complete standstill.**

Two speed ranges can be preselected with the gear selection lever **5**.

Gear I:

Low speed range; for screwdriving or working with large drilling diameter.

Gear II:

High speed range; for working with small drilling diameter.

If the gear selector **5** cannot be pushed through to the stop, lightly turn the drill chuck.

Switching On and Off

To **start** the power tool, press the On/Off switch **10** and keep it pressed.

To switch off the power tool, **release** the On/Off switch **10**.

Adjusting the Speed

The speed of the switched on power tool can be variably adjusted, depending on how far the On/Off switch **10** is pressed.

Light pressure on the On/Off switch **10** results in a low rotational speed. Further pressure on the switch results in an increase in speed.

Run-on Brake

When the On/Off switch **10** is released, the chuck brakes to a stop, thus preventing the run-on of the tool.

When driving in screws, wait until the screw is screwed in flush with the material and then release the On/Off switch **10**. By doing so, the head of the screw does not penetrate into the material.

Working Instructions

- ▶ **Apply the power tool to the screw only when it is switched off.** Rotating tool inserts can slip off.

Tips

After longer periods of working at low speed, allow the machine to cool down by running it for approx. 3 minutes at maximum speed with no load.

For drilling in metal, use only perfectly sharpened HSS drill bits (HSS = High Speed Steel). The appropriate quality is guaranteed by the Bosch accessories program.

Before screwing larger, longer screws into hard materials, it is advisable to predrill a pilot hole with the core diameter of the thread to approx. $\frac{2}{3}$ of the screw length.

Maintenance and Service

Maintenance and Cleaning

- ▶ **Before any work on the power tool (e. g., maintenance, tool change, etc.) as well as during transport and storage, set the rotational direction switch to the center position.** Unintentional actuation of the On/Off switch can lead to injuries.
- ▶ **For safe and proper working, always keep the power tool and the ventilation slots clean.**

If the power tool should fail despite the care taken in manufacturing and testing procedures, repair should be carried out by an after-sales service center for Bosch power tools.

In all correspondence and spare parts orders, please always include the 10-digit article number given on the type plate of the power tool.

After-sales service and customer assistance

Our after-sales service responds to your questions concerning maintenance and repair of your product as well as spare parts. Exploded views and information on spare parts can also be found under:

www.bosch-pt.com

Our customer consultants answer your questions concerning best buy, application and adjustment of products and accessories.

In case of a claim, repair or purchase of replacement parts or in case of queries or other problems, please contact your local dealer or Bosch representative.

People's Republic of China

Website: www.bosch-pt.com.cn

China Mainland

Bosch Power Tools (China) Co., Ltd.

567, Bin Kang Road

Bin Jiang District 310052

Hangzhou, P.R.China

Service Hotline: 800 8 20 84 84

Tel.: +86 (571) 87 77 43 38

Fax: +86 (571) 87 77 45 02

HK and Macau Special Administrative Regions

Melchers (H.K.) Ltd, Room 1210

Shun Tak Centre, West-Tower

168 – 200 Connaught Road, Central Hong Kong

Customer Service Hotline: +852 (25) 89 15 61

Fax: +852 (25) 48 79 14

E-Mail: bosch@melchers.com.hk

Indonesia

PT. Multi Tehaka

Kawasan Industri Pulogadung

Jalan Rawa Gelam III No. 2

Jakarta 13930

Indonesia

Tel.: +62 (21) 4 60 12 28

Fax: +62 (21) 46 82 68 23

E-Mail: sales@multitehaka.co.id

www.multitehaka.co.id

Philippines

Robert Bosch, Inc.

Zuellig Building

Sen. Gil Puyat Avenue

Makati City 1200, Metro Manila

Philippines

Tel.: +63 (2) 8 17 32 31

www.bosch.com.ph

Malaysia

Robert Bosch (SEA.) Pte. Ltd.

No. 8a, Jalan 13/6

46200 Petaling Jaya,

Selangor,

Malaysia

Tel.: +6 (03) 7966 3000

Fax: +6 (03) 7958 3838

E-Mail: hengsiang.yu@my.bosch.com

Toll Free tel.: 1 800 880 188

Fax: +6 (03) 7958 3838

www.bosch.com.sg

Thailand

Robert Bosch Ltd.

Liberty Square Building

No. 287, 11 Floor

Silom Road, Bangrak

Bangkok 10500

Tel.: +66 (2) 6 31 18 79 – 18 88 (10 lines)

Fax: +66 (2) 2 38 47 83

Robert Bosch Ltd., P. O. Box 2054

Bangkok 10501, Thailand

Bosch Service – Training Centre

2869-2869/1 Soi Ban Kluay

Rama IV Road (near old Paknam Railway)

Prakanong District

10110 Bangkok

Thailand

Tel.: +66 (2) 6 71 78 00 – 4

Fax: +66 (2) 2 49 42 96

Fax: +66 (2) 2 49 52 99

Singapore

Robert Bosch (SEA.) Pte. Ltd.
38 C Jalan Pemimpin
Singapore 915701
Republic of Singapore
Tel.: +65 (3) 50 54 94
Fax: +65 (3) 50 53 27
www.bosch.com.sg

Vietnam

Robert Bosch (SEA) Pte. Ltd – Vietnam
Representative Office
Saigon Trade Center, Suite 1206
37 Ton Duc Thang Street,
Ben Nghe Ward, District 1
HCMC
Vietnam
Tel.: +84 (8) 9111 374 – 9111 375
Fax: +84 (8) 9111376

Australia, New Zealand and Pacific Islands

Robert Bosch Australia Pty. Ltd.
Power Tools
Locked Bag 66
Clayton South VIC 3169
Customer Contact Center
Inside Australia:
Phone: +61 (01300) 307 044
Fax: + 61 (01300) 307 045
Inside New Zealand:
Phone: +64 (0800) 543 353
Fax: +64 (0800) 428 570
Outside AU and NZ:
Phone: +61 (03) 9541 5555
www.bosch.com.au

Disposal

Power tools, accessories and packaging should be sorted for environmental-friendly recycling.

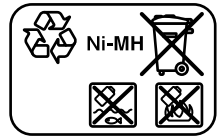
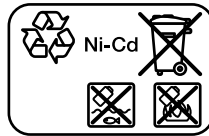
Only for EC countries:



Do not dispose of power tools into household waste!

According to the European Guideline 2002/96/EC for Waste Electrical and Electronic Equipment and its implementation into national right, power tools that are no longer usable must be collected separately and disposed of in an environmentally correct manner.

Battery packs/batteries:



Ni-Cd: Nickel cadmium

Warning: These battery packs contain cadmium, a highly toxic heavy metal.

Ni-MH: Nickel metal hydride

Do not dispose of battery packs/batteries into household waste, fire or water. Battery packs/batteries should be collected, recycled or disposed of in an environmental-friendly manner.

Subject to change without notice.

针对电动工具的一般性警告提示

警告 阅读所有的警告提示和指示。如未确实遵循警告提示和指示，可能导致电击、火灾并且/或其他的严重伤害。

妥善保存所有的警告提示和指示，以便日后查阅。

在警告提示和指示中使用的“电动工具”是指必须连接电源的电动工具（配备电线）和使用蓄电池的电动工具（无电线）。

1) 工作场所的安全规章

- a) 工作场所必须保持乾淨并且照明要充足。杂乱或昏暗的工作场所容易导致意外。
- b) 不可在有爆炸危险的环境下操作本电动工具。有爆炸危险的环境是指充斥了易燃液体、瓦斯或尘埃的工作场所。操作机器时会产生火花，火花容易引燃尘埃或易燃蒸汽。
- c) 操作机器时不可让儿童或旁观者靠近工作场所。工作时如果因为第三者的干扰而分散注意力可能导致操作失控。

2) 使用电器用品的安全指示

- a) 使用的插座必须能够配合电动工具的插头。切勿擅自更改插头。转接插头不可以和接了地线的电动工具一起使用。使用机器出厂时的原装插头和合适的插座可以降低遭受电击的危险。
- b) 避免让身体接触接地的物体，例如水管、散热器、电炉和冰箱等。如果您的身体接地了，非常容易遭受电击。
- c) 机器必须远离雨水或湿气。如果让水渗入电动工具中，会提高操作者遭受电击的危险。
- d) 正确地处理电线。不可以使用电线提携电动工具、悬挂电动工具或者以抽拉电线的方式拔出插头。电线必须远离高温、油垢、锋利的边缘或转动的机件。电线如果受损或缠绕在一起，会提高操作者遭受电击的危险。
- e) 如果在户外使用电动工具，只能使用合适的户外专用延长线。使用合格的户外专用延长线，可降低操作者遭受电击的危险。
- f) 如果无法避免的，必须在潮湿的环境中使用本电动工具，得使用剩馀电流保护开关。使用剩馀电流保护开关可以预防遭受电击。

3) 针对操作者的安全指示

- a) 工作时务必要全神贯注，不但要保持头脑清醒更要理性地操作电动工具。疲惫、喝酒或服用毒品、兴奋剂、药物之后，切勿操作电动工具。使用电动工具时只要稍微分心便可能发生后果严重的意外。
- b) 穿好您个人的防护装备并戴上护目镜。根据所使用的电动工具穿戴合适的防护装备，例如防尘面罩、止滑工作鞋、安全帽或耳罩，可降低工作伤害的发生机率。
- c) 避免意外启动机器。插上插头并且/或安装蓄电池之前，提起或搬运机器之前，务必先检查电动工具是否处在关闭状况。如果您在提携电动工具时，手指接触了开关，或著在连接电源时，起停开关仍然设定在开动位置，都可能造成极严重的意外。
- d) 开动电动工具之前必须拆除仍然插在机器上的调整工具/或螺丝扳手。如果机器已经开始转动，而机器上仍然插著调整工具，很容易伤害使用者。
- e) 避免错误的持机姿势。操作机器时要确保立足稳固，並要随时保持平衡。正确的操作姿势能够帮助您在突发状况下及时控制住电动工具。
- f) 穿著合适的工作服。工作时不可以穿太宽松的衣物，也不可以戴首饰。不可以让头髮、衣服和手套接触机器上的转动机件。宽松的衣物、长髮或首饰容易被捲入转动的机件中。
- g) 如果能够在机器上安装吸尘装置、集尘装备，务必按照指示安装此类辅助工具，并且正确地操作该装置。使用吸尘装备可以防止工作尘危害人体。

4) 小心地使用和处理电动工具

- a) 勿让机器承载过重的负荷。根据工作性质选择适合的电动工具。正确地选用电动工具可以在规定的功率范围中，更有效率更安全的操作机器。
- b) 勿使用开关故障的电动工具。如果无法正常操控起停开关，极容易在操作机器时产生意外。尽快将故障的机器送修。
- c) 在调整机器设定、更换零件或不使用机器时，都必须先从插座上拔出插头并且/或取出蓄电池。这个预防措施可以避免不小心开动电动工具。

- d) 不使用电动工具时，必须把机器存放在儿童无法取得之处。勿让不熟悉机器操作方法及未阅读本说明书的人使用本机器。让经验不足的人操作电动工具容易发生意外。
- e) 细心地保养、维护电动工具。检查机器上的转动零件是否运作正常，并确定是否有零件断裂或损坏。故障的机件会影响电动工具的运作功能。使用机器之前务必先更换或修理故障的机件。若未彻底执行机器的维护工作容易导致工作意外。
- f) 切割工具必须保持锋利、清洁。经过细心保养而且刀刃锋利的切割工具不易被夹住，而且较容易操作。
- g) 遵照这些指示使用电动工具、配件及安装在机器上的工具。另外也必须注意有关机器操作方式及机器适用范围的解说。如果使用电动工具执行不符合该机器性能的工作，极容易发生意外。
- 5) 小心地使用和处理充电式机器
- a) 只能使用製造商推荐的充电器为蓄电池充电。不可以使用针对某些特定蓄电池的充电器，为其他的蓄电池充电，可能引起火灾。
- b) 务必使用电动工具的专用蓄电池。使用了不合适的蓄电池可能发生工作意外并引起火灾。
- c) 不使用的蓄电池必须远离回形针、硬币、钥匙、钉子、螺丝或其他的金属物体。上述物体可能连接蓄电池上的触点引起短路。蓄电池的两个触点如果发生短路，可能引起火灾。
- d) 如果使用不当可能从蓄电池渗出液体。避免接触此类流动物体。如果不小心触摸了，马上用水冲洗。如果上述液体侵入眼睛必须即刻就医。从蓄电池流出的液体会刺激或灼伤皮肤。
- 6) 检修服务
- a) 只能将电动工具交给合格的专业人员检修。检修时只能换装原厂零、配件。唯有如此才能确保机器的安全性能。

针对机器的安全指示

- ▶ 使用合适的侦测器，以找出隐藏在电源线的位 置。或者向当地的供电单位索取相关资料。钻穿电线会造成火灾並遭受电击。损坏瓦斯管会引起爆炸。如果水管被刺穿了会导致财物损失。
- ▶ 如果安装在机器上的工具被夹住了，必须马上关闭电动工具并保持镇静。此时机器会产生极高的反应力矩，並进而造成回击。安装在机器上的工具容易被夹住如果：
 - 电动工具超荷了，或者
 - 安装在机器上的工具在工件中歪斜了。
- ▶ 安装在机器上的工具如果可能割断隐藏的电线，一定要握住绝缘手柄操作电动工具。电动工具如果割断了带电的电线，机器上的金属部件会导电，并进而导致操作者触电。
- ▶ 务必握紧电动工具。在拧紧和放松螺丝时，可能出现短暂的强大反击。
- ▶ 固定好工件。使用固定装置或老虎钳固定工件，会比用手持握工件更牢固。
- ▶ 工作场所必须保持清洁。不同的工作尘经过混合后容易产生化学反应，十分危险。轻金属尘容易着火或引起爆炸。
- ▶ 等待电动工具完全静止后才能够放下机器。机器上的工具可能在工作中被夹住，而令您无法控制电动工具。
- ▶ 安装蓄电池之前，先确定起停开关是否位在关闭的位置，以预防意外地开动电动工具。提携电动工具时如果把手指按在起停开关上，或者安装蓄电池时未关闭电动工具，都可能造成工作意外。
- ▶ 切勿打开蓄电池。可能造成短路。



蓄电池必须远离高温，例如长期的日晒和火焰等。有爆炸的危险。

功能解说



阅读所有的警告提示和指示。如未确实遵循警告提示和指示，可能导致电击、火灾并且 / 或其他的严重伤害。

翻开标示了机器详解图的折叠页。阅读操作指南时必须翻开折叠页参考。

按照规定使用机器

本电动工具适用于拧入和拧出螺丝。本电动工具也可以在木材、金属、陶器和塑料上钻孔。

插图上的机件

机件的编号和电动工具详解图上的编号一致。

- 1 快速夹头
- 2 前套筒
- 3 后套筒
- 4 扭力设定环
- 5 选档开关
- 6 蓄电池*
- 7 蓄电池的解锁按键
- 8 螺丝批嘴*
- 9 正逆转开关
- 10 起停开关
- 11 通用批嘴连杆*
- 12 快速夹头的固定螺丝
- 13 六角扳手**

*图表或说明上提到的附件，并非全部包含在供货范围中。

**可以在市面上购得（不包含在供货范围中）。

技术数据

充电式电钻起子机		GSR 9,6-2 Professional	GSR 12-2 Professional	GSR 14,4-2 Professional
物品代码		3 601 J18 L..	3 601 J18 J..	3 601 J18 G..
额定电压	V=	9,6	12	14,4
无负载转速				
- 第一档	次 / 分	0-400	0-400	0-400
- 第二档	次 / 分	0-1000	0-1200	0-1400
根据 ISO 5393, 硬拧转 / 软拧转的最大扭力	牛頓米	25/10	27/11	30/15
最大钻孔直径 Ø (1./2. 档)				
- 钢	毫米	10/10	12/12	12/12
- 木材	毫米	20/13	23/14	26/19
最大螺丝直径	毫米	6	7	8
夹头的夹紧范围	毫米	1-10	1-10	1-10
主轴螺纹		3/8"	3/8"	3/8"
重量符合 EPTA-Procedure 01/2003	公斤	1,5	1,6	1,7

请认清电动工具铭牌上的物品代码。电动工具在销售市场上没有统一的商品名称。

安装

为蓄电池充电

新的或长期未使用的蓄电池，必须经过 5 次的充 / 放电后，才能够发挥电池的最大功率。

先按下解锁按键 7，接著才能够从电动工具中，向下抽出蓄电池 6。**切勿强行拉出蓄电池。**

蓄电池上安装了 NTC-温度监控装置。当温度位在摄氏 0 到 45 度间时，才能进行充电。所以能够大大地延长蓄电池的使用寿命。

充电后如果蓄电池的使用时间明显缩短，代表蓄电池已经损坏，必须更换新的蓄电池。

请注意有关作废处理的规定。

更换工具（参考插图 A）

▶ **维修电动工具、更换电动工具上的工具或者搬运电动工具时，务必把正逆转开关调整到中央的位置。**如果不小心启动起停开关，可能造成伤害。

握紧快速夹头 1 的后套筒 3，朝着 ① 的方向拧转前套筒 2，必须拧转至能够装入工具为止。安装好工具。

握住快速夹头 1 的后套筒 3，并朝著 ② 的方向用力地拧转前套筒 2。

当您在拆卸工具时，反向拧转前套筒 2，锁定便自动解除。

更换夹头

▶ **维修电动工具、更换电动工具上的工具或者搬运电动工具时，务必把正逆转开关调整到中央的位置。**如果不小心启动起停开关，可能造成伤害。

取出固定螺丝（参考插图 B）

固定螺丝 12 把夹头固定在主轴上，以防止快速夹头 1 意外地从主轴上脱落。把快速夹头 1 完全打开，并朝著转向 ① 拧转出固定螺丝 12。**注意，固定螺丝配备了左螺纹。**

拆卸夹头（参考插图 C）

把六角扳手 13 的短端插入快速夹头 1 中。

把电动工具放置在稳固的底垫上（例如工作台），握牢电动工具，朝著转向 ① 拧转内六角扳手 13 来拧松快速夹头 1。如果夹头被卡住了，可轻敲内六角扳手 13 的长端松开夹头。从快速夹头中取出内六角扳手，拧转并拆下快速夹头。

安装夹头（参考插图 D）

以反顺序安装快速夹头。

指示：安装好快速夹头之后，必须再度拧入固定螺丝 12。



使用约 35-40 牛顿米的拉紧扭力拧紧夹头。

吸锯尘 / 吸锯屑

▶ 含铅的颜料以及某些木材、矿物和金属的加工粉尘有害健康。机器操作者或者工地附近的人如果接触、吸入这些粉尘，可能会有过敏反应或者感染呼吸道疾病。

某些尘埃（例如加工橡木或山毛榉的粉尘）可能致癌，特别是和处理木材的添加剂（例如木材的防腐剂等）结合之后。只有经过专业培训的人才能够加工含石棉的物料。

- 工作时尽可能使用吸尘装备。
- 工作场所要保持空气流通。
- 最好佩戴 P2 滤网等级的口罩。

请留心并遵守贵国和加工物料有关的法规。

操作

操作机器

安装蓄电池

▶ **只能使用与机器铭牌上所规定的电压相符的博世原厂 O 型电池。**使用其它厂牌的蓄电池，可能造成意外伤害或酿成火灾。

把正逆转开关 9 调整到中央位置，以防止无意中开动机器。把充足了电的蓄电池 6 装入手柄中，蓄电池必须正确地卡在手柄中，而且得和手柄的末端齐头。

改变转向（参考插图 E）

使用正逆转开关 **9** 可以改变机器的转向。如果按住了起停开关 **10**，则无法改变转向。

正转：适用于正常钻和转紧螺丝时，把正逆转开关 **9** 向左推到底。

逆转：适用于拧松或拧出螺丝，把正逆转开关 **9** 向右推到底。

设定扭力

使用扭力设定环 **4** 可以选择 **25** 级扭力。如果扭力设定正确，只要螺丝头已经平贴在工件表面，或者到达了预定的扭力，安装在机器上的工具便会停止转动。

拧出螺丝时得视情况提高设定值，或者把开关设定在 " 钻孔 " 的符号上。

机械式选档

► **必须等待电动工具完全静止后才能够使用选档开关 5。**

使用选档开关 **5** 能够预设 **2** 个转速范围。

第 I 档：

低转速范围；适合拧转螺丝，或者钻大的孔时。

第 II 档：

高转速范围；适用于钻小的孔时。

如果无法把选档开关 **5** 推到尽头，必须握着钻头稍微转动夹头。

开 / 关闭

操作电动工具 时先按下电动工具的起停开关 **10**，并持续按著。

放开起停开关 **10** 便可以 **关闭** 电动工具。

调整转速

你可以无级式调整转速，把起停开关 **10** 按得越紧，转速就越快。

轻按起停开关 **10** 机器以低转速运转。逐渐在开关上加压，转速也会跟著提高。

制止惯性转动功能

放开起停开关 **10** 之后，夹头会马上被制止，进而防止夹头上的工具进入惯性转动状态。

拧入螺丝时，必须等待螺丝头和物料表面齐平之后，才可以放开起停开关 **10**。如此螺丝头才不会陷入物料中。

有关操作方式的指点

► **确定电动工具已经关闭了，才可以把电动工具顶在螺丝头上。** 转动中的起子头容易从螺丝头上滑开。

建议

在机器以低转速长期运作之后，可让机器在空载的状况下，以最高转速旋转 **3** 分钟，以加速冷却。

在金属上钻孔时只能使用完好，经过研磨的 HSS 钻头（HSS = 高效率高速钢）。在博世的附件产品系列中，有符合这个品质等级的产品。

把大的、长的螺丝拧入坚硬的物料中之前，必须根据螺纹的中心直径打预钻孔，预钻孔的深度大概为螺丝长度的 $\frac{2}{3}$ 。

维修和服务

维修和清洁

► **维修电动工具、更换电动工具上的工具或者搬运电动工具时，务必把正逆转开关调整到中央的位置。** 如果不小心启动起停开关，可能造成伤害。

► **电动工具和通风间隙都必须保持清洁，这样才能提高工作品质和安全性。**

本公司生产的电动工具都经过严密的品质检验，如果机器仍然发生故障，请将机器交给博世电动工具公司授权的顾客服务处修理。

询问和订购备件时，务必提供机器铭牌上标示的 **10** 位数字物品代码。

顾客服务处和顾客咨询中心

本公司顾客服务处负责回答有关本公司产品的修理，维护和备件的问题。以下的网页中有爆炸图和备件的资料：

www.bosch-pt.com

博世顾客咨询团队非常乐意为您解答有关购买，使用和设定本公司产品及附件的问题。

有关保证，维修或更换零件事宜，请向合格的经销商查询。

中国大陆

博世电动工具（中国）有限公司

中国 浙江省 杭州市

滨江区滨康路 567 号

邮政编码：310052

免费服务热线：800 820 8484

传真：+86 (571) 8777 4502

电邮：service.hz@cn.bosch.com

电话：+86 571 8777 4338

传真：+86 571 8777 4502

电邮：service.hz@cn.bosch.com

www.bosch-pt.com.cn

处理废弃物

必须以符合环保的方式，回收再利用损坏的机器、附件和废弃的包装材料。

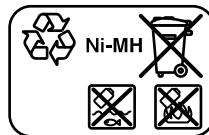
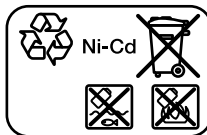
只针对欧盟国家：



不可以把电动工具丢弃在一般的家庭垃圾中！

根据 2002/96/EG（欧洲有关处理旧电子和旧电器用品的法规），以及欧洲各国引用该法的规定：废弃的电动工具必须分开收集，并且要以符合环保要求的方式回收再利用。

充电电池 / 电池：



Ni-Cd: 镍 - 镉

注意：此蓄电池含镉。镉是带剧毒的重金属。

Ni-MH: 镍 - 氢化铁

不可以把损坏的仪器丢弃在一般的家庭垃圾，火焰或水中。请收集损坏的充电电池 / 电池，并把它们送往资源回收中心处理，或者用符合环保要求的方式清除损坏的充电电池 / 电池。

保留修改权。

針對電動工具的一般性警告提示

警告 閱讀所有的警告提示和指示。如未確實遵循警告提示和指示，可能導致電擊、火災並且 / 或其他的嚴重傷害。

妥善保存所有的警告提示和指示，以便日後查閱。

在警告提示和指示中使用的 " 電動工具 " 是指必須連接電源的電動工具（配備電線）和使用蓄電池的電動工具（無電線）。

1) 工作場所的安全規章

- a) 工作場所必須保持乾淨並且照明要充足。雜亂或昏暗的工作場所容易導致意外。
- b) 不可在有爆炸危險的環境下操作本電動工具。有爆炸危險的環境是指充斥了易燃液體、瓦斯或塵埃的工作場所。操作機器時會產生火花，火花容易引燃塵埃或易燃蒸汽。
- c) 操作機器時不可讓兒童或旁觀者靠近工作場所。工作時如果因為第三者的干擾而分散注意力可能導致操作失控。

2) 使用電器用品的安全指示

- a) 使用的插座必須能夠配合電動工具的插頭。切勿擅自更改插頭。轉接插頭不可以和接了地線的電動工具一起使用。使用機器出廠時的原裝插頭和合適的插座可以降低遭受電擊的危險。
- b) 避免讓身體碰觸接地的物體，例如水管、散熱器、電爐和冰箱等。如果您的身體接地了，非常容易遭受電擊。
- c) 機器必須遠離雨水或濕氣。如果讓水滲入電動工具中，會提高操作者遭受電擊的危險。
- d) 正確地處理電線。不可以使用電線提攜電動工具、懸掛電動工具或者以拖拉電線的方式拔出插頭。電線必須遠離高溫、油垢、鋒利的邊緣或轉動中的機件。電線如果受損或纏繞在一起，會提高操作者遭受電擊的危險。
- e) 如果在戶外使用電動工具，只能使用合適的戶外專用延長線。使用合格的戶外專用延長線，可降低操作者遭受電擊的危險。
- f) 如果無法避免的，必須在潮濕的環境中使用本電動工具，得使用剩餘電流保護開關。使用剩餘電流保護開關可以預防遭受電擊。

3) 針對操作者的安全指示

- a) 工作時務必全神貫注，不但要保持頭腦清醒更要理性地操作電動工具。疲憊、喝酒或服用毒品、興奮劑、藥物之後，切勿操作電動工具。使用電動工具時只要稍微分心便可能發生後果嚴重的意外。
- b) 穿好您個人的防護裝備並戴上護目鏡。根據所使用的電動工具穿戴合適的防護裝備，例如防塵面罩、止滑工作鞋、安全帽或耳罩，可降低工作傷害的發生機率。
- c) 避免意外啟動機器。插上插頭並且 / 或安裝蓄電池之前，提起或搬運機器之前，務必先檢查電動工具是否處在關閉狀況。如果您在提攜電動工具時，手指碰觸了開關，或著在連接電源時，起停開關仍然設定在開動位置，都可能造成極嚴重的意外。
- d) 開動電動工具之前必須拆除仍然插在機器上的調整工具 / 或螺絲扳手。如果機器已經開始轉動，而機器上仍然插著調整工具，很容易傷害使用者。
- e) 避免錯誤的持機姿勢。操作機器時要確保立足穩固，並要隨時保持平衡。正確的操作姿勢能夠幫助您在突發狀況下及時控制住電動工具。
- f) 穿著合適的工作服。工作時不可以穿太寬鬆的衣服，也不可以戴首飾。不可以讓頭髮、衣服和手套接觸機器上的轉動機件。寬鬆的衣物、長髮或首飾容易被捲入轉動的機件中。
- g) 如果能夠在機器上安裝吸塵裝置、集塵裝備，務必按照指示安裝此類輔助工具，並且正確地操作該裝置。使用吸塵裝備可以防止工作塵危害人體。

4) 小心地使用和處理電動工具

- a) 勿讓機器承載過重的負荷。根據工作性質選擇適合的電動工具。正確地選用電動工具可以在規定的功率範圍中，更有效率更安全的操作機器。
- b) 勿使用開關故障的電動工具。如果無法正常操控起停開關，極容易在操作機器時產生意外。盡快將故障的機器送修。
- c) 在調整機器設定、更換零件或不使用機器時，都必須先從插座上拔出插頭並且 / 或取出蓄電池。這個預防措施可以避免不小心開動電動工具。

- d) 不使用電動工具時，必須把機器存放在兒童無法取得之處。勿讓不熟悉機器操作方法及未閱讀本說明書的人使用本機器。讓經驗不足的人操作電動工具容易發生意外。
- e) 細心地保養、維護電動工具。檢查機器上的轉動零件是否運作正常，並確定是否有零件斷裂或損壞。故障的機件會影響電動工具的運作功能。使用機器之前務必先更換或修理故障的機件。若未徹底執行機器的維護工作容易導致工作意外。
- f) 切割工具必須保持鋒利、清潔。經過細心保養而且刀刃鋒利的切割工具不易被夾住，而且較容易操作。
- g) 遵照這些指示使用電動工具、配件及安裝在機器上的工具。另外也必須注意有關機器操作方式及機器適用範圍的解說。如果使用電動工具執行不符合該機器性能的工作，極容易發生意外。
- 5) 小心地使用和處理充電式機器
- a) 只能使用製造商推薦的充電器為蓄電池充電。不可以使用針對某些特定蓄電池的充電器，為其他的蓄電池充電，可能引起火災。
- b) 務必使用電動工具的專用蓄電池。使用了不合適的蓄電池可能發生工作意外並引起火災。
- c) 不使用的蓄電池必須遠離回形針、硬幣、鑰匙、釘子、螺絲或其他的金屬物體。上述物體可能連接蓄電池上的觸點引起短路。蓄電池的兩個觸點如果發生短路，可能引起火災。
- d) 如果使用不當可能從蓄電池滲出液體。避免接觸此類流動物體。如果不小心觸摸了，馬上用水沖洗。如果上述液體侵入眼睛必須即刻就醫。從蓄電池流出的液體會刺激或灼傷皮膚。
- 6) 檢修服務
- a) 只能將電動工具交給合格的專業人員檢修。檢修時只能換裝原廠零、配件。唯有如此才能確保機器的安全性能。

針對機器的安全指示

- ▶ 使用合適的偵測器，以便找出隱藏著的電源線的位置。或者向當地的供電單位索取相關資料。鑽穿電線會造成火災並遭受電擊。損壞瓦斯管會引起爆炸。如果水管被刺穿了會導致財物損失。
- ▶ 如果安裝在機器上的工具被夾住了，必須馬上關閉電動工具並保持鎖靜。此時機器會產生極高的反應力矩，並進而造成回擊。安裝在機器上的工具容易被夾住如果：
 - 電動工具超荷了，或者
 - 安裝在機器上的工具在工件中歪斜了。
- ▶ 安裝在機器上的工具如果可能割斷隱藏的電線，一定要握住絕緣手柄操作電動工具。電動工具如果割斷了帶電的電線，機器上的金屬部件會導電，並進而導致操作者觸電。
- ▶ 務必握緊電動工具。在擰緊和放鬆螺絲時，可能出現短暫的強大反擊。
- ▶ 固定好工件。使用固定裝置或老虎鉗固定工件，會比用手持握工件更牢固。
- ▶ 工作場所必須保持清潔。不同的工作塵經過混合後容易產生化學反應，十分危險。輕金屬塵容易著火或引起爆炸。
- ▶ 等待電動工具完全靜止後才能夠放下機器。機器上的工具可能在工作中被夾住，而令您無法控制電動工具。
- ▶ 安裝蓄電池之前，先確定起停開關是否位在關閉的位置，以預防意外地開動電動工具。提攜電動工具時如果把手指按在起停開關上，或者安裝蓄電池時未關閉電動工具，都可能造成工作意外。
- ▶ 切勿打開蓄電池。可能造成短路。



蓄電池必須遠離高溫，例如長期的日曬和火焰等。有爆炸的危險。

功能解說



閱讀所有的警告提示和指示。 如未確實遵循警告提示和指示，可能導致電擊、火災並且 / 或其他的嚴重傷害。

翻開標示了機器詳解圖的折疊頁。閱讀操作指南時必須翻開折疊頁參考。

按照規定使用機器

本電動工具適用於擰入和擰出螺絲。本電動工具也可以在木材、金屬、陶器和塑料上鑽孔。

插圖上的機件

機件的編號和電動工具詳解圖上的編號一致。

- 1 快速夾頭
- 2 前套筒
- 3 後套筒
- 4 扭力設定環
- 5 選檔開關
- 6 蓄電池*
- 7 蓄電池的解鎖按鍵
- 8 螺絲批嘴*
- 9 正逆轉開關
- 10 起停開關
- 11 通用批嘴連桿*
- 12 快速夾頭的固定螺絲
- 13 六角扳手**

*插圖中或說明書中提到的附件，並不包含在正常的供貨範圍中。

**可以在市面上購得（不包含在供貨範圍中）。

技術性數據

充電式電鑽起子機		GSR 9,6-2 Professional	GSR 12-2 Professional	GSR 14,4-2 Professional
物品代碼		3 601 J18 L..	3 601 J18 J..	3 601 J18 G..
額定電壓	V=	9,6	12	14,4
無負載轉速				
- 第一檔	次 / 分	0-400	0-400	0-400
- 第二檔	次 / 分	0-1000	0-1200	0-1400
根據 ISO 5393，硬擰轉 / 軟擰轉的最大扭力	牛頓米	25/10	27/11	30/15
最大鑽孔直徑 Ø (1./2. 檔)				
- 鋼	毫米	10/10	12/12	12/12
- 木材	毫米	20/13	23/14	26/19
最大螺絲直徑	毫米	6	7	8
夾頭的夾緊範圍	毫米	1-10	1-10	1-10
主軸螺紋		3/8"	3/8"	3/8"
重量符合 EPTA-Procedure 01/2003	公斤	1,5	1,6	1,7

請認清電動工具銘牌上的物品代碼。電動工具在銷售市場上沒有統一的商品名稱。

安裝

為蓄電池充電

新的或長期未使用的蓄電池，必須經過 5 次的充 / 放電後，才能夠發揮電池的最大功率。

先按下解鎖按鍵 **7**，接著才能夠從電動工具中，向下抽出蓄電池 **6**。**切勿強行拉出蓄電池。**

蓄電池上安裝了 NTC- 溫度監控裝置。當溫度位在攝氏 0 到 45 度間時，才能進行充電。所以能夠大大地延長蓄電池的使用壽命。

充電後如果蓄電池的使用時間明顯縮短，代表蓄電池已經損壞，必須更換新的蓄電池。

請注意有關作廢處理的規定。

更換工具（參考插圖 A）

▶ **維修電動工具、更換電動工具上的工具或者搬運電動工具時，務必把正逆轉開關調整到中央的位置。**如果不小心啟動起停開關，可能造成傷害。

握緊快速夾頭 **1** 的後套筒 **3**，朝著 **①** 的方向擰轉前套筒 **2**，必須擰轉至能夠裝入工具為止。安裝好工具。

握住快速夾頭 **1** 的後套筒 **3**，並朝著 **②** 的方向用力地擰轉前套筒 **2**。

當您在拆卸工具時，反向擰轉前套筒 **2**，鎖定便自動解除。

更換夾頭

▶ **維修電動工具、更換電動工具上的工具或者搬運電動工具時，務必把正逆轉開關調整到中央的位置。**如果不小心啟動起停開關，可能造成傷害。

取出固定螺絲（參考插圖 B）

固定螺絲 **12** 把夾頭固定在主軸上，以防止快速夾頭 **1** 意外地從主軸上脫落。把快速夾頭 **1** 完全打開，並朝著轉向 **①** 擰轉出固定螺絲 **12**。**注意，固定螺絲配備了左螺旋紋。**

拆卸夾頭（參考插圖 C）

把六角扳手 **13** 的短端插入快速夾頭 **1** 中。

把電動工具放置在穩固的底墊上（例如工作台），握牢電動工具，朝著轉向 **①** 擰轉內六角扳手 **13** 來擰松快速夾頭 **1**。如果夾頭被卡住了，可輕敲內六角扳手 **13** 的長端鬆開夾頭。從快速夾頭中取出內六角扳手，擰轉並拆下快速夾頭。

安裝夾頭（參考插圖 D）

以反順序安裝快速夾頭。

指示：安裝好快速夾頭之後，必須再度擰入固定螺絲 **12**。



使用約 35–40 牛頓米的拉緊扭力擰緊夾頭。

吸鋸塵 / 吸鋸屑

▶ 含鉛的顏料以及某些木材、礦物和金屬的加工廢塵有害健康。機器操作者或者工地附近的人如果接觸、吸入這些廢塵，可能會有過敏反應或者感染呼吸道疾病。

某些塵埃（例如加工橡木或山毛櫸的廢塵）可能致癌，特別是和處理木材的添加劑（例如木材的防腐劑等）結合之後。只有經過專業訓練的人才能夠加工含石棉的物料。

- 工作時盡可能使用吸塵裝備。
- 工作場所要保持空氣流通。
- 最好佩戴 P2 濾網等級的口罩。

請留心並遵守貴國和加工物料有關的法規。

操作

操作機器

安裝蓄電池

▶ **只能使用與機器銘牌上所規定的電壓相符的博世原廠 O 型電池。**使用其它廠牌的蓄電池，可能造成意外傷害或釀成火災。

把正逆轉開關 **9** 調整到中央位置，以防止無意中開動機器。把充足了電的蓄電池 **6** 裝入手柄中，蓄電池必須正確地卡在手柄中，而且得和手柄的末端齊頭。

改變轉向（參考插圖 E）

使用正逆轉開關 **9** 可以改變機器的轉向。如果按住了起停開關 **10**，則無法改變轉向。

正轉：適用於正常鑽和轉緊螺絲時，把正逆轉開關 **9** 向左推到底。

逆轉：適用於擰松或擰出螺絲，把正逆轉開關 **9** 向右推到底。

設定扭力

使用扭力設定環 **4** 可以選擇 **25** 級扭力。如果扭力設定正確，只要螺絲頭已經不貼在工件表面，或者到達了預定的扭力，安裝在機器上的工具便會停止轉動。

擰出螺絲時得視情況提高設定值，或者把開關設定在 "鑽孔" 的符號上。

機械式選檔

▶ 必須等待電動工具完全靜止後才能夠使用選檔開關 **5**。

使用選檔開關 **5** 能夠預設 **2** 個轉速範圍。

第 I 檔：

低轉速範圍；適合擰轉螺絲，或者鑽大的孔時。

第 II 檔：

高轉速範圍；適用於鑽小的孔時。

如果無法把選檔開關 **5** 推到盡頭，必須握著鑽頭稍微轉動夾頭。

開動 / 關閉

操作電動工具時先按下電動工具的起停開關 **10**，並持續按著。

放開起停開關 **10** 便可以關閉電動工具。

調整轉速

你可以無級式調整轉速，把起停開關 **10** 按得越緊，轉速就越快。

輕按起停開關 **10** 機器以低轉速運轉。逐漸在開關上加壓，轉速也會跟著提高。

制止慣性轉動功能

放開起停開關 **10** 之後，夾頭會馬上被制止，進而防止夾頭上的工具進入慣性轉動狀態。

擰入螺絲時，必須等待螺絲頭和物料表面齊平之後，才可以放開起停開關 **10**。如此螺絲頭才不會陷入物料中。

有關操作方式的指點

▶ 確定電動工具已經關閉了，才可以把電動工具頂在螺絲頭上。轉動中的起子頭容易從螺絲頭上滑開。

建議

在機器以低轉速長期運作之後，可讓機器在空載的狀況下，以最高轉速旋轉 **3** 分鐘，以加速冷卻。

在金屬上鑽孔時只能使用完好，經過研磨的 HSS 鑽頭（HSS = 高效率高速鋼）。在博世的附件產品系列中，有符合這個品質等級的產品。

把大的、長的螺絲擰入堅硬的物料中之前，必須根據螺紋的中心直徑打預鑽孔，預鑽孔的深度大概為螺絲長度的 $\frac{2}{3}$ 。

維修和服務

維修和清潔

▶ 維修電動工具、更換電動工具上的工具或者搬運電動工具時，務必把正逆轉開關調整到中央的位置。如果不小心啟動起停開關，可能造成傷害。

▶ 電動工具和通風間隙都必須保持清潔，這樣才能夠提高工作品質和安全性。

本公司生產的電動工具都經過嚴密的品質檢驗，如果機器仍然發生故障，請將機器交給博世電動工具公司授權的顧客服務處修理。

詢問和訂購備件時，務必提供機器銘牌上標示的 **10** 位數物品代碼。

顧客服務處和顧客諮詢中心

本公司顧客服務處負責回答有關本公司產品的修理，維護和備件的問題。以下的網頁中有爆炸圖和備件的資料：

www.bosch-pt.com

博世顧客諮詢團隊非常樂意為您解答有關購買，使用和設定本公司產品及附件的問題。

台灣

德商美最時貿易股份有限公司

台灣分公司

台北市 10454 林森北路 380 號 9 樓

電話：+886 2 2551 3264

傳真：+886 2 2536 3783

客服專線：0800 051 051

原廠維修中心

桃園縣蘆竹鄉長興路 3 段 219 巷 5 號

電話：+886 3 324 9325

傳真：+886 3 324 0269

E-Mail: services@melchers.com.tw

www.bosch-pt.com.tw

處理廢棄物

必須以符合環保的方式，回收再利用損壞的機器、附件和廢棄的包裝材料。

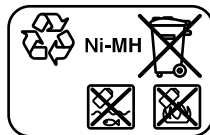
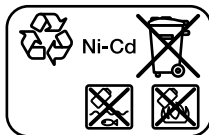
只針對歐盟國家：



不可以把電動工具丟棄在一般的家庭垃圾中！

根據 2002/96/EG（歐洲有關處理舊電子和舊電器用品的法規），以及歐洲各國引用該法的規定：廢棄的電動工具必須分開收集，並且要以符合環保要求的方式回收再利用。

蓄電池 / 一般電池：



Ni-Cd: 鎳 - 鎘

注意：此蓄電池含鎘。鎘是帶巨毒的重金屬。

Ni-MH: 鎳 - 氫化鎂

不可以把蓄電池 / 一般電池丟棄在家庭垃圾、火或水中。收集好蓄電池 / 一般電池，把它們交給資源回收中心，或以符合環保要求的方式處理。

保留修改權。

전 동공구용 일반 안전수칙

! 경고 모든 안전수칙과 지시 사항을 상세히 읽고 지켜야 합니다. 다음의 안전수칙과 지시 사항을 준수하지 않으면 화재 위험이 있으며 감전 혹은 중상을 입을 수 있습니다.

앞으로의 참고를 위해 이 안전수칙과 사용 설명서를 잘 보관하십시오.

다음에서 사용되는 "전 동공구"라는 개념은 전원에 연결하여 사용하는 전동 기기 (전선이 있는) 나 배터리를 사용하는 전동 기기 (전선이 없는) 를 의미합니다.

1) 작업장 안전

- 작업장을 항상 깨끗이 하고 조명을 밝게 하십시오. 작업장 환경이 어수선하거나 어두우면 사고를 초래할 수 있습니다.
- 가연성 유체, 가스 또는 불진이 있어 폭발 위험이 있는 환경에서 전 동공구를 사용하지 마십시오. 전 동공구는 분진이나 증기에 점화하는 불꽃을 일으킬 수 있습니다.
- 전 동공구를 사용할 때 구경꾼이나 어린이 혹은 다른 사람이 작업장에 접근하지 못하게 하십시오. 다른 사람이 주의를 산만하게 하면 기기에 대한 통제를 잃기 쉽습니다.

2) 전기에 관한 안전

- 전 동공구의 전원 플러그가 전원 콘센트에 잘 맞아야 합니다. 플러그를 조금이라도 변경시켜서는 안 됩니다. 접지된 전 동공구를 사용할 때 어댑터 플러그를 사용하지 마십시오. 변형되지 않은 플러그와 잘 맞는 콘센트를 사용하면 감전의 위험을 감소할 수 있습니다.
- 파이프 관, 라디에이터, 레인지, 냉장고와 같은 접지 표면에 몸이 닿지 않도록 하십시오. 몸에 닿을 경우 감전될 위험이 높습니다.
- 전 동공구를 비에 맞지 않게 하고 습기 있는 곳에 두지 마십시오. 전 동공구에 물이 들어가면 감전될 위험이 높습니다.
- 전원 코드를 잡고 전 동공구를 운반하거나 걸어 놓아서는 안 되며, 콘센트에서 전원 플러그를 뽑을 때 전원 코드를 잡아 당겨서는 절대로 안 됩니다. 전원 코드가 열 파 오일에 접촉하는 것을 피하고, 날카로운 모서리나 기기의 가동 부위에 닿지 않도록 주의하십시오. 손상되거나 영진 전원 코드는 감전을 유발할 수 있습니다.

- 실외에서 전 동공구로 작업할 때는 실외용으로 적당한 연장 전원 코드만을 사용하십시오. 실외용 연장 전원 코드를 사용하면 감전의 위험을 줄일 수 있습니다.
- 전 동공구를 습기 찬 곳에서 사용해야 할 경우에는 누전 차단기를 사용하십시오. 누전 차단기를 사용하면 감전 위험을 줄일 수 있습니다.

3) 사용자 안전

- 신중하게 작업하십시오. 작업을 할 때 주의를 하며, 전 동공구를 사용할 때 경솔하게 행동하지 마십시오. 피로한 상태이거나 약물 복용 및 음주한 후에는 전 동공구를 사용하지 마십시오. 전 동공구를 사용할 때 잠이라도 주의가 산만해지면 중상을 입을 수 있습니다.
- 작업자 안전을 위한 장치를 사용하십시오. 항상 보안경을 착용하십시오. 전 동공구의 종류와 사용에 따라 먼지 보호 마스크, 미끄러지지 않는 안전한 신발, 안전모 또는 귀마개 등의 안전한 복장을 하면 상해의 위험을 줄일 수 있습니다.
- 실수로 기기가 작동되지 않도록 주의하십시오. 전 동공구를 전원에 연결하거나 배터리를 끼우기 전에, 혹은 기기를 풀거나 운반하기 전에, 전원 스위치가 꺼져 있는지 다시 확인하십시오. 전 동공구를 운반할 때 전원 스위치가 손가락을 대거나 전원 스위치가 켜진 상태에서 전원을 연결하면 사고 위험이 높습니다.
- 전 동공구를 사용하기 전에 조절하는 톨이나 나사 키 등을 빼 놓으십시오. 회전하는 부위에 있는 톨이나 나사 키로 인해 상처를 입을 수 있습니다.
- 자신을 과신하지 마십시오. 불안정한 자세를 피하고 항상 평형을 이룬 상태로 작업하십시오. 안정된 자세와 평형한 상태로 작업해야만이 의외의 상황에서도 전 동공구를 안전하게 사용할 수 있습니다.
- 알맞은 작업복을 입으십시오. 헐렁한 복장을 하거나 장식품을 착용하지 마십시오. 머리카락 또는 장갑이 가동하는 기기 부위에 가까이 닿지 않도록 주의하십시오. 헐렁한 복장, 장식품 혹은 긴 머리는 가동 부위에 말려 사고를 초래할 수 있습니다.
- 분진 추출장치나 수거장치의 조절이 가능한 경우, 이 장치가 연결되어 있는지, 제대로 작동이 되는지 확인하십시오. 이러한 분진 추출장치를 사용하면 분진으로 인한 사고 위험을 줄일 수 있습니다.

4) 전동공구의 올바른 사용과 취급

- a) 기기를 과부하 상태에서 사용하지 마십시오. 작업을 하는 데에 적당한 전동공구를 사용하십시오. 알맞은 전동공구를 사용하면 지정된 성능 한도 내에서 더 효율적으로 안전하게 작업을 할 수 있습니다.
- b) 전원 스위치가 고장 난 전동공구를 사용하지 마십시오. 전원 스위치가 작동되지 않는 전동공구는 위험하므로, 반드시 수리를 해야 합니다.
- c) 기기에 새팅을 하거나 액세서리 부품을 교환하거나 혹은 기기를 보관할 때, 항상 전원 콘센트에서 플러그를 미리 빼어 놓으십시오. 이러한 조치는 실수로 전동공구가 작동하게 되는 것을 예방합니다.
- d) 사용하지 않는 전동공구는 어린이 손이 닿지 않는 곳에 보관하고, 전동공구 사용에 익숙지 않거나 이 사용 설명서를 읽지 않은 사람은 기기를 사용해서는 안됩니다. 경험이 없는 사람이 전동공구를 사용하면 위험합니다.
- e) 전동공구를 조심스럽게 관리하십시오. 가동 부위가 하자 없이 정상적인 기능을 하는지, 걸리는 부위가 있는지, 혹은 전동공구의 기능에 중요한 부품이 손상되지 않았는지 확인하십시오. 손상된 기기의 부품은 전동공구를 다시 사용하기 전에 반드시 수리를 맡기십시오. 제대로 관리하지 않은 전동공구의 경우 많은 사고를 유발합니다.
- f) 절단 공구를 날카롭고 깨끗하게 관리하십시오. 날카로운 절단면이 있고 잘 관리된 절단공구는 걸리는 경우가 드물고 조절하기도 쉽습니다.
- g) 전동공구, 액세서리, 장착하는 공구 등을 사용할 때, 이 지시 사항과 특별히 기종 별로 나와있는 사용 방법을 준수하십시오. 이때 작업 조건과 실시하려는 작업 내용을 고려하십시오. 원래 사용 분야가 아닌 다른 작업에 전동공구를 사용할 경우 위험한 상황을 초래할 수 있습니다.

5) 충전 전동공구의 올바른 사용과 취급

- a) 배터리를 충전할 때 제조사가 추천하는 충전기만을 사용하여 재충전해야 합니다. 특정 제품의 배터리를 위하여 제조된 충전기에 적합하지 않은 다른 배터리를 충전할 경우 화재 위험이 있습니다.
- b) 각 전동공구용으로 나와있는 배터리만을 사용하십시오. 다른 종류의 배터리를 사용하면 상해를 입거나 화재를 초래할 수 있습니다.

c) 배터리를 사용하지 않을 때는, 각 극 사이에 브리징 상태가 생길 수 있으므로 페이퍼 롤립, 동전, 열쇠, 못, 나사 등 유사한 금속성 물체와 멀리하여 보관하십시오. 배터리 극 사이에 쇼트가 일어나 화상을 입거나 화재를 야기할 수 있습니다.

d) 배터리를 잘못 사용하면 누수가 생길 수 있습니다. 누수가 생긴 배터리에 닿지 않도록 하십시오. 피부에 접하게 되었을 경우 즉시 물로 씻으십시오. 유체가 눈에 닿았을 경우 바로 의사와 상담하십시오. 배터리에서 나오는 유체는 피부에 자극을 주거나 화상을 입힐 수 있습니다.

6) 서비스

- a) 전동공구 수리는 반드시 전문 인력에게 맡기고, 수리 정비 시 보쉬 승점 부품만을 사용하십시오. 그렇게 함으로써 기기의 안전성을 오래 유지할 수 있습니다.

기기 특유의 안전수칙

- ▶ 보이지 않는 부위에 에너지 배선 및 배관여부를 확인하려면 적당한 탐지기를 사용하거나 담당 에너지 공급회사에 문의하십시오. 전선에 접촉하게 되면 화재나 전기 충격을 유발할 수 있습니다. 가스관을 손상시키면 폭발 위험이 있으며 수도관을 파손하게 되면 재산 피해를 야기할 수 있습니다.
- ▶ 톨홀더에 끼워진 비트가 풀리면 즉시 전동공구 스위치를 끄십시오. 반동을 유발할 수 있는 강한 반동력이 생길 수 있습니다. 톨 홀더에 끼워진 비트는 다음의 경우 물립니다:
 - 전동공구가 과부하된 상태이거나
 - 작업하려는 소재에 걸렸을 경우 물립니다
- ▶ 작업할 때 드릴 비트로 보이지 않는 전선에 닿을 가능성이 있으면 전동공구의 절연 손잡이만 만을 잡으십시오. 전류가 흐르는 전선에 접하게 되면 전동공구의 금속 부위도 전기가 통해 감전될 위험이 있습니다.
- ▶ 전동공구를 꼭 잡으십시오. 나사못을 조이거나 풀 때 일시적으로 강한 반동력이 생길 수 있습니다.
- ▶ 작업물을 잘 고정하십시오. 고정 장치나 기계 마이스에 끼워서 작업하면 손으로 잡는 것보다 더 안전합니다.
- ▶ 작업장을 항상 깨끗이 유지하십시오. 작업 소재의 혼합물은 특히 위험합니다. 경금속 분진은 화재나 폭발을 야기할 수 있습니다.

- ▶ **전동공구를 내려놓기 전에 기기가 완전히 멈추었는지를 확인하십시오.** 삽입 비트가 걸리거나 전동공구에 대한 통제가 어려워질 수 있습니다.
- ▶ **실수로 기기의 스위치가 켜지지 않도록 하십시오. 배터리를 끼우기 전에 전원 스위치가 꺼져 있는지 확인하십시오.** 전원 스위치를 잡고 전동공구를 운반하거나 스위치가 켜진 상태에서 전동공구에 배터리를 끼우면 사고가 발생할 수 있습니다.
- ▶ **배터리를 열지 마십시오.** 단락이 발생할 위험이 있습니다.



배터리를 태양광선 등 고열에 장기간 노출시키거나 불에 가까이 두지 마십시오. 폭발할 위험이 있습니다.

기능 설명



모든 안전수칙과 지시 사항을 상세히 읽고 지켜야 합니다. 다음의 안전수칙과 지시 사항을 준수하지 않으면 화재 위험이 있으며 감전 혹은 중상을 입을 수 있습니다.

사용 설명서를 읽는 동안 기기의 그림이 나와 있는 접힌 면을 펴 놓고 참고하십시오.

규정에 따른 사용

본 전동공구는 나사못을 조이거나 푸는 작업, 또는 목재 금속 세라믹 플라스틱에 구멍을 내는 작업을 하는 데 사용해야 합니다.

제품의 주요 명칭

제품의 주요 명칭에 표기되어 있는 번호는 기기 그림이 나와있는 면을 참고하십시오.

- 1 키레스 척
- 2 슬리브 앞부분
- 3 슬리브 뒷부분
- 4 토크 설정 링
- 5 기어 선택 스위치
- 6 배터리*
- 7 배터리 해제 버튼
- 8 스크류 드라이버 비트*
- 9 회전방향 선택 스위치
- 10 전원 스위치
- 11 유니버설 비트 홀더*
- 12 키레스 적용 안전 나사
- 13 육각 키**

*도면이나 설명서에 나와 있는 액세서리는 표준 공급부품에 속하지 않습니다.

**시장에서 구매 가능 (표준 공급 부품에 포함되지 않음)

제품 사양

충전 드라이버 드릴		GSR 9,6-2 Professional	GSR 12-2 Professional	GSR 14,4-2 Professional
제품 번호		3 601 J18 L..	3 601 J18 J..	3 601 J18 G..
정격 전압	V=	9.6	12	14.4
무부하 속도				
- 1 단	rpm	0-400	0-400	0-400
- 2 단	rpm	0-1000	0-1200	0-1400
ISO 5393 에 따른 경질 / 연질 스크류작업 시 최대 토크	Nm	25/10	27/11	30/15
최대 드릴 \varnothing (1./2 단)				
- 철재	mm	10/10	12/12	12/12
- 목재	mm	20/13	23/14	26/19
나사못 직경, 최대	mm	6	7	8
드릴 척 클램핑 범위	mm	1-10	1-10	1-10
드릴 스핀들 나사		3/8"	3/8"	3/8"
EPTA 공정 01/2003 에 따른 중량	kg	1.5	1.6	1.7

전동공구의 명판에 표시된 제품 번호를 확인하십시오. 각 전동공구의 명칭이 시중에서 상이하게 사용될 수 있습니다.

조립

배터리 충전하기

새로 구매하거나 오랫동안 사용하지 않았던 배터리는 충전 및 방전 과정을 약 5 회 정도 한 후에야 완전한 성능을 보장합니다.

배터리 **6** 을 빼려면 해제 버튼 **7** 을 누른 상태로 배터리를 전동공구 아래쪽으로 잡아 당깁니다. **이때 무리하게 힘을 가하지 마십시오.**

배터리에는 NTC 온도 모니터가 장치되어 있어 섭씨 0 °C 에서 45 °C 사이의 온도 범위에서만 충전이 가능합니다. 이로 인해 배터리의 수명이 연장됩니다.

충전 후 작동 시간이 현저하게 짧아지면 배터리의 수명이 다한 것이므로 배터리를 교환해야 합니다.

처리에 관련된 지시 사항을 준수하십시오.

비트의 교환 (그림 A 참조)

▶ 전동공구에 정비를 하거나 비트 등을 교환하기 전에, 혹은 기기를 운반하거나 보관할 때 회전방향 선택 스위치를 반드시 중간 위치에 두십시오. 실수로 전원 스위치가 작동하여 상해를 입을 수 있습니다.

키레스 척 **1** 의 슬리브 뒷부분 **3** 을 꼭 잡고 비트가 끼워질 정도까지 슬리브 앞부분 **2** 를 **1** 회전 방향으로 돌립니다. 비트를 끼우십시오.

키레스 척 **1** 의 슬리브 뒷부분 **3** 을 꼭 잡고 슬리브 앞부분 **2** 를 손으로 힘껏 **2** 방향으로 돌리십시오.

비트를 탈착하기 위해 슬리브 앞부분 **2** 를 반대 방향으로 돌리면 잠금 상태가 다시 해제됩니다.

드릴 척 교환하기

▶ 전동공구에 정비를 하거나 비트 등을 교환하기 전에, 혹은 기기를 운반하거나 보관할 때 회전방향 선택 스위치를 반드시 중간 위치에 두십시오. 실수로 전원 스위치가 작동하여 상해를 입을 수 있습니다.

안전 나사 배기 (그림 B 참조)

키레스 척 1은 실수로 드릴 스핀들이 풀어지지 않도록 안전 나사 12로 고정되어 있습니다. 키레스 척 1을 끝까지 열고 안전 나사 12를 ① 방향으로 돌려 빼십시오. **안전 나사가 원나사라는 것에 주의하십시오.**

드릴 척 분해하기 (그림 C 참조)

육각키 13의 짧은 끝을 앞으로 하여 키레스 척 1에 끼웁니다.

전동공구를 작동대와 같이 안정된 표면에 놓으십시오. 전동공구를 꼭 잡고 육각키 13을 ① 방향으로 돌려 키레스 척 1을 풀어 줍니다. 꼭 끼워진 키레스 척은 육각키 13의 긴쪽 끝을 가볍게 두드려 풀면 됩니다. 키레스 척에서 육각키를 빼고 기기에서 키레스 척을 완전히 돌려 빼십시오.

드릴 척 조립하기 (그림 D 참조)

키레스 척의 조립은 반대 순서로 하면 됩니다.

참고: 키레스 척을 조립하고 나서 안전 나사 12를 다시 조이십시오.



드릴 척은 약 35-40 Nm의 고정 토크로 조여야 합니다.

분진 및 흡입 추출장치

▶ 납 성분을 포함한 페인트나 몇몇 나무 종류, 또는 광물 성분 그리고 철과 같은 재료의 분진은 건강을 해칠 수 있습니다. 이 분진을 만지거나 호흡할 경우, 사용자나 주변 사람들은 알레르기 반응이나 호흡기 장애를 일으킬 수 있습니다.

떡갈나무나 너도밤나무와 같은 특정한 분진은 암을 유발시키며, 특히 목재 처리용으로 사용되는 부가 원료 (크로마트, 목재보호제)와 혼합되면 암을 유발시킵니다. 식민 성분을 포함한 재료는 오직 전문가가 작업을 해야 합니다.

- 가능한 분진흡입기를 사용하십시오.
- 작업장의 통풍이 잘 되도록 하십시오.
- 필터등급 P2가 장착된 호흡 마스크를 사용하십시오.

작업용 재료에 관해 국가가 지정한 규정을 고려 하십시오.

작동

기계 시동

배터리 장착하기

▶ **귀하의 전동공구 라일 표시판에 나와 있는 전압의 보쉬 순정 0팩 - 배터리 만을 사용하십시오.** 다른 배터리를 사용하면 상해를 입거나 화재가 발생할 위험이 있습니다.

기기가 실수로 작동하는 것을 방지하기 위해 회전방향 선택 스위치 9를 중간 위치에 두십시오. 충전된 배터리 6을 걸리는 소리가 분명히 날 때까지 손잡이 쪽으로 끼워 손잡이와 일치선이 되도록 하십시오.

회전방향 설정하기 (그림 E 참조)

회전방향 선택 스위치 9로 기기의 회전 방향을 선택할 수 있습니다. 그러나 전원 스위치 10이 눌러진 상태에서는 작동이 불가능합니다.

우회전: 드릴작업이나 스크류작업을 하려면 회전방향 선택 스위치 9를 왼쪽으로 끝까지 밀니다.

좌회전: 나사못을 풀거나 빠려면 회전방향 선택 스위치 9를 오른쪽으로 끝까지 밀니다.

토크 설정하기

토크 설정 링 4를 사용하여 필요한 토크를 25단계 중에서 설정할 수 있습니다. 올바른 설정을 했을 경우, 나사못이 작업물과 평면이 되게 끼워졌거나 설정된 토크에 이르게 되면 드릴 비트가 정지합니다.

나사못을 빼는 작업을 할 때는 더 높은 단계를 선택하거나 “드릴작업” 표시에 맞추십시오.

기계식 기어 선택

▶ **기어 선택 스위치 5는 전동공구가 정지된 상태에서만 사용 하십시오.**

기어 선택 스위치 5로 속도를 두 단계 중에서 선택할 수 있습니다.

I 단 기어:

저속 범위; 스크류작업과 드릴 직경이 넓은 곳에 작업할 경우.

II 단 기어:

고속 범위; 드릴 직경이 좁은 작업을 할 경우.

기어 선택 스위치 5를 끝까지 밀 수 없는 경우 드릴 척을 약간 돌립니다.

전원 스위치 작동

전동공구를 **작동하려면** 전원 스위치 **10** 을 누르고 누른 상태를 유지하십시오.

전동공구의 **스위치를 끄려면** 전원 스위치 **10** 을 놓으면 됩니다.

속도 조절

작동하고 있는 전동공구의 속도를 연속적으로 조절할 수 있는데, 전원 스위치 **10** 을 어느 정도 세게 누르는가에 달려 있습니다.

전원 스위치 **10** 을 살짝 누르면 저속으로 작동합니다. 세게 누르면 속도가 빨라집니다.

잔여 회전 브레이크

전원 스위치 **10** 을 놓은 상태에서는 드릴 척에 재동이 걸려 비트의 잔여 회전이 저지됩니다.

스크류작업을 할 때 나사못이 작업물 소재에 평면이 되도록 끼워진 다음에 전원 스위치 **10** 을 놓으십시오. 그렇게 하면 나사못 머리가 작업물 안으로 파고 들지 않습니다.

사용방법

- ▶ **전동공구의 스위치가 꺼진 상태에서만 나사못에 대십시오.** 회전하는 드릴 비트가 미끄러질 수 있습니다.

참고

낮은 속도로 장기간 연속 작업을 했을 경우, 기기를 약 3 분간 무부하 상태로 최고 속도로 운전한 후 식히십시오.

금속에 드릴작업을 할 때 항상 하자가 없는 날카로운 HSS 드릴 비트 (HSS = 하이 스피드 스틸) 만을 사용하십시오. 보쉬 액세서리 프로그램은 이에 상응하는 품질을 보증합니다.

경질 작업 소재에 크고 긴 나사못을 끼우기 전에, 나사산의 중심 직경으로 나사못 길이의 약 $\frac{2}{3}$ 에 해당하는 초기 드릴작업을 하는 게 좋습니다.

보수 정비 및 서비스

보수 정비 및 유지

- ▶ **전동공구에 정비를 하거나 비트 등을 교환하기 전에, 혹은 기기를 운반하거나 보관할 때 회전방향 선택 스위치를 반드시 중간 위치에 두십시오.** 실수로 전원 스위치가 작동하여 상해를 입을 수 있습니다.
- ▶ **안전하고 올바른 작동을 위하여 전동공구와 전동공구의 환기구를 항상 깨끗이 하십시오.**

세심한 제작과 검사에도 불구하고 전동공구가 불량한 경우가 있다면 보쉬 고객 지원부나 가까운 보쉬 지정 전동공구 서비스 센터에 수리를 의뢰하십시오.

문의 사항이 있거나 스페어 부품을 주문할 때 반드시 전동공구의 타입 표시판에 적힌 10 자리의 제품 번호를 알려 주십시오.

AS 서비스 센터 및 고객 상담

AS 서비스 센터에서는 귀하 제품의 수리 및 보수정비, 그리고 부품에 관한 문의를 받고 있습니다. 제품의 분해도 및 부품에 관한 정보는 다음의 주소에서도 보실 수 있습니다:

www.bosch-pt.com

보쉬 AS 서비스 센터 팀은 제품과 액세서리의 구매, 사용법 및 설정에 관해 상담해 드립니다.

한국로버트보쉬기전주식회사

Robert Bosch Korea Mechanics and Electronics Ltd.

전동공구 사업부

경기도 용인시 기흥구 보정동 298 번지
전화: +82 31 270 - 4143/4148/4620
팩스: +82 31 270 - 7613/4144

고객지원본부

경기도 용인시 기흥구 보정동 298 번지
전화: +82 31 270 4682
팩스: +82 31 270 4785

E-Mail: Bosch-pt.hotline@kr.bosch.com

Internet: www.bosch.co.kr

처리

기기와 액세서리 및 포장 등은 환경 친화적인 방법으로 재생할 수 있도록 분류하십시오.

EU 국가만 해당 :



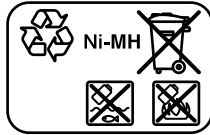
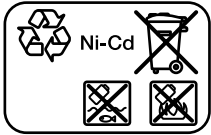
전동공구를 가정용 쓰레기로 처리하지 마십시오!

전동 및 전자 폐품에 관한 유럽 규정

2002/96/EG 와 국가별 법규에 따라, 사용

불가능한 전동공구는 별도로 수거하여 환경 친화적인 방법으로 재생하도록 처리해야 합니다.

배터리 팩 / 배터리 :



Ni-Cd: 니켈 - 카드뮴

주의 : 이 배터리 팩에는 고독성 중금속인 카드뮴이 함유되어 있습니다.

Ni-MH: 니켈 - 메탈하이브리드

배터리 팩 / 배터리를 가정용 쓰레기로 처리하거나 물이나 불에 던지지 마십시오. 배터리 팩 / 배터리는 수거하여 재활용하거나 환경 친화적인 방법으로 처리해야 합니다.

위 사항은 사전 예고 없이 변경될 수도 있습니다.

คำเตือนทั่วไปเพื่อความปลอดภัย ในการใช้เครื่องมือไฟฟ้า

⚠ คำเตือน ต้องอ่านคำเตือนเพื่อความปลอดภัยและ คำสั่งทั้งหมด การไม่ปฏิบัติตามคำเตือนและ

คำสั่งอาจเป็นสาเหตุใหญ่จากไฟฟ้าดูด เกิดไฟไหม้ และ/หรือได้รับบาดเจ็บอย่างร้ายแรง

เก็บรักษาคำเตือนและคำสั่งทั้งหมดสำหรับเปิดอ่านใน ภายหลัง

คำว่า "เครื่องมือไฟฟ้า" ในคำเตือนหมายถึง เครื่องมือไฟฟ้าของท่าน ที่ทำงานด้วยพลังงานไฟฟ้าที่ต่อจากเต้าเสียบ (มีสายไฟฟ้า) และ เครื่องมือไฟฟ้าที่ทำงานด้วยพลังงานไฟฟ้าจากแบตเตอรี่ (ไร้สาย)

1) ความปลอดภัยในสถานที่ทำงาน

ก) รักษาสถานที่ทำงานให้สะอาดและมีไฟส่องสว่างดี สถานที่ที่มีมืดหรือรกรุงรังนำมาซึ่งอุบัติเหตุ

ข) อย่าใช้เครื่องมือไฟฟ้าในสภาพแวดล้อมที่เสี่ยงต่อการติดระเบิดได้ เช่น ในที่มีมีของเหลว แก๊ส หรือ ฝุ่นที่ติดไฟได้ เมื่อใช้เครื่องมือไฟฟ้าจะเกิดประกายไฟซึ่ง อาจจุดฝุ่นหรือไอใหญ่เป็นไฟได้

ค) ขณะใช้เครื่องมือไฟฟ้าทำงาน ต้องกันเด็กและผู้ยืนดู ให้ออกห่าง การหันเหความสนใจอาจทำให้ท่านขาดการ ควบคุมเครื่องได้

2) ความปลอดภัยเกี่ยวกับไฟฟ้า

ก) ปลั๊กของเครื่องมือไฟฟ้าต้องมีขนาดพอดีกับเต้าเสียบ อย่าตัดแปลงหรือแก้ไขตัวปลั๊กอย่างเด็ดขาด อย่าต่อ ปลั๊กต่อกันใดๆ เข้ากับเครื่องมือไฟฟ้าที่มีสายดิน ปลั๊กที่ไม่ตัดแปลงและเต้าเสียบที่เข้ากันช่วยลดความเสี่ยงจากการถูกไฟฟ้าดูด

ข) หลีกเลี่ยงไม่ให้ร่างกายสัมผัสกับพื้นผิวของสิ่งของที่อยู่ต่อสายดินไว้ เช่น ท่อ เครื่องทำความร้อน เตา และ ตู้เย็น จะเสี่ยงอันตรายจากการถูกไฟฟ้าดูดมากขึ้นหาก กระแสไฟฟ้าวิ่งผ่านร่างกายของท่านลงดิน

ค) อย่าวางเครื่องมือไฟฟ้าตกบนหรือทิ้งไว้ในที่ชื้นและ หากน้ำเข้าในเครื่องมือไฟฟ้า จะเพิ่มความเสี่ยงจากการถูก ไฟฟ้าดูด

ง) อย่าใช้สายไฟฟ้าอย่างผิดๆ อย่าถือเครื่องมือไฟฟ้า ที่สาย อย่าใช้สายแขวนเครื่อง หรืออย่าดึงสายไฟฟ้า เพื่อถอดปลั๊กออกจากเต้าเสียบ กันสายไฟฟ้าออก ห่างจากความร้อน น้ำมัน ขอบแหลมคม หรือส่วนของ เครื่องที่กั๊กเคลื่อนไหว สายไฟฟ้าที่ชำรุดหรือพันกันยิ่ง เพิ่มความเสี่ยงจากการถูกไฟฟ้าดูด

จ) เมื่อใช้เครื่องมือไฟฟ้าทำงานกลางแจ้ง ให้ใช้สายไฟ ต่อที่ได้รับการรับรองให้ใช้ต่อในที่กลางแจ้งเท่านั้น การใช้สายไฟต่อที่เหมาะสมสำหรับงานกลางแจ้งช่วยลด อันตรายจากการถูกไฟฟ้าดูด

ฉ) หากไม่สามารถหลีกเลี่ยงการใช้เครื่องมือไฟฟ้าทำงาน ในสถานที่เปียกชื้นได้ ให้ใช้วิธีที่ตัดวงจรเมื่อเกิดการรั่วไหลของไฟฟ้าจากสายดิน การใช้วิธีตัดวงจรเมื่อ เกิดการรั่วไหลของไฟฟ้าจากสายดินช่วยลดความเสี่ยงต่อ การถูกไฟฟ้าดูด

3) ความปลอดภัยของบุคคล

ก) ท่านต้องอยู่ในสภาพเตรียมพร้อม ระดับระวังในสิ่งที่ กำลังทำอยู่ และมีสติขณะใช้เครื่องมือไฟฟ้าทำงาน อย่าใช้เครื่องมือไฟฟ้าขณะที่ท่านกำลังเหนื่อย หรือ อยู่ ภายใต้การครอบงำของฤทธิ์ของยาเสพติด แอลกอฮอล์ และยา เมื่อใช้เครื่องมือไฟฟ้าทำงาน ในช่วง หน้าที่ท่านขาดความเข้าใจอาจทำให้บุคคลบาดเจ็บอย่าง รุนแรงได้

ข) ใช้อุปกรณ์ปกป้องร่างกาย สวมแว่นตาป้องกันเสมอ อุปกรณ์ปกป้อง เช่น หน้ากากกันฝุ่น รองเท้ากันลื่น หมวก แข็ง หรือประคบหูกันเสียงดัง ที่เลือกใช้ตามความเหมาะสม กับสภาพการทำงาน สามารถลดอันตรายต่อบุคคลได้

ค) ป้องกันการติดเครื่องโดยไม่ตั้งใจ ต้องดูให้แน่ใจว่า สวิตช์อยู่ในตำแหน่งปิดก่อนเสียบปลั๊กไฟเข้าไปใน เต้าเสียบ และ/หรือใส่แท่งแบตเตอรี่ ยึดขึ้นหรือ ถอดเครื่องมือ การถือเครื่องโดยใช้นิ้วหัวที่สวิตช์ หรือ เสียบปลั๊กไฟฟ้าขณะสวิตช์เปิดอยู่ อาจนำไปสู่อุบัติเหตุที่ ร้ายแรงได้

ง) เอาเครื่องมือปรับแต่งหรือประแจปากตายออกจาก เครื่องมือไฟฟ้าก่อนเปิดสวิตช์ เครื่องมือหรือประแจ ปากตายที่วางอยู่กับส่วนของเครื่องที่กำลังหมุนจะทำให้ บุคคลบาดเจ็บได้

- จ) หลีกเลี่ยงการตั้งท่าที่ผิดปกติ ตั้งท่าขึ้นที่มั่นคงและวางน้ำหนักให้สมดุลตลอดเวลา ในลักษณะนี้ท่านสามารถควบคุมเครื่องมือไฟฟ้าในสถานการณ์ที่ไม่คาดคิดได้ดีกว่า
- ฉ) ใส่เสื้อผ้าที่เหมาะสม อย่าใส่เสื้อผ้าหลวมหรือสวมเครื่องประดับ เข็มหมุด เสื้อผ้า และถุงมือออกห่างส่วนของเครื่องที่กำลังหมุน เสื้อผ้าหลวม เครื่องประดับ และผมยาวอาจเข้าไปติดในส่วนของเครื่องที่กำลังหมุนได้
- ช) หากต้องต่อเครื่องมือไฟฟ้าเข้ากับเครื่องดูดฝุ่นหรือเครื่องเก็บผง ดูในแนวใจว่าการเชื่อมต่อและการใช้งานเป็นไปอย่างถูกต้อง การใช้อุปกรณ์ดูดฝุ่นช่วยลดอันตรายที่เกิดจากฝุ่นได้
- 4) การใช้และการดูแลรักษาเครื่องมือไฟฟ้า
- ก) อย่าใช้เครื่องมือไฟฟ้าอย่างหักโหม ใช้เครื่องมือไฟฟ้าที่ถูกต้องตรงตามลักษณะงาน เครื่องมือไฟฟ้าที่ถูกต้องจะทำงานได้ดีกว่าและปลอดภัยกว่าในระดับสมรรถภาพที่ออกแบบไว้
- ข) อย่าใช้เครื่องมือไฟฟ้าที่สวิตช์เปิดปิดเสีย เครื่องมือไฟฟ้าที่ไม่สามารถควบคุมการเปิดปิดด้วยสวิตช์ได้ เป็นเครื่องมือไฟฟ้าที่ไม่ปลอดภัยและต้องส่งซ่อมแซม
- ค) ก่อนปรับแต่งเครื่อง เปลี่ยนอุปกรณ์ประกอบ หรือเก็บเครื่องเข้าที่ ต้องถอดปลั๊กไฟออกจากเต้าเสียบและ/หรือถอดแท่งแบตเตอรี่ออกจากเครื่องมือไฟฟ้า มาตรการป้องกันเพื่อความปลอดภัยนี้ช่วยลดความเสี่ยงจากการติดเครื่องโดยไม่ได้ตั้งใจ
- ง) เมื่อเลิกใช้งานเครื่องมือไฟฟ้า ให้เก็บเครื่องไว้ในที่ที่เด็กหยิบไม่ถึง และไม่อนุญาตให้บุคคลที่ไม่คุ้นเคยกับเครื่องหรือบุคคลที่ไม่ได้อ่านคำแนะนำนำ้ใช้เครื่องมือไฟฟ้าเป็นของอันตรายหากตกอยู่ในมือของผู้ใช้ที่ไม่ได้รับการฝึกฝน
- จ) เอาใจใส่ดูแลรักษาเครื่อง ตรวจสอบหาส่วนที่เคลื่อนไหวได้ของเครื่องวางอยู่ตรงแนวหรือติดขัดหรือไม่ ตรวจสอบการแตกหักของชิ้นส่วนและสภาพอื่นใดที่อาจมีผลต่อการทำงานของเครื่องมือไฟฟ้า หากชำรุดต้องส่งเครื่องมือไฟฟ้าซ่อมแซมก่อนใช้งาน อุบัติเหตุหลายอย่างเกิดขึ้นเนื่องจากดูแลรักษาเครื่องไม่ดีพอ
- ฉ) รักษาเครื่องมือตัดให้คมและสะอาด หากบำรุงรักษาเครื่องมือที่มีขอบตัดแหลมคมอย่างถูกต้อง จะสามารถตัดได้สั้นไม่ติดขัดและควบคุมได้ง่ายกว่า
- ช) ใช้เครื่องมือไฟฟ้า อุปกรณ์ประกอบ เครื่องมือ และอุปกรณ์อื่นๆ ให้ตรงตามคำแนะนำนำ้ และในลักษณะตามที่เครื่องมือไฟฟ้าประเภทนั้นๆ กำหนดไว้ โดยต้องคำนึงถึงเงื่อนไขการทำงานและงานที่จะทำด้วย การใช้เครื่องมือไฟฟ้าทำงานที่ต่างไปจากวัตถุประสงค์การใช้งานของเครื่อง อาจนำไปสู่สถานการณ์ที่เป็นอันตรายได้
- 5) การใช้และการดูแลรักษาเครื่องที่ใช้แบตเตอรี่
- ก) ชาร์จแบตเตอรี่ด้วยเครื่องชาร์จที่บริษัทผู้ผลิตระบุไว้เท่านั้น เครื่องชาร์จที่เหมาะสมสำหรับชาร์จแบตเตอรี่ประเภทหนึ่ง หากนำไปชาร์จแบตเตอรี่ประเภทอื่น อาจเกิดไฟไหม้ได้
- ข) ใช้แบตเตอรี่เฉพาะประเภทที่เครื่องมือไฟฟ้ากำหนดให้ใช้ได้ การใช้แบตเตอรี่ประเภทอื่นเสี่ยงต่อการเกิดไฟไหม้หรือบาดเจ็บ
- ค) เมื่อไม่ใช้แบตเตอรี่ ให้เก็บแบตเตอรี่ไว้ห่างไกลหวัตุอื่น ๆ เช่น คลิปหนีบกระดาษ เหรียญ กุญแจ ตะปู สกรู หรือโลหะวัตถุขนาดเล็กอื่นๆ ที่สามารถต่อขั้วหนึ่งไปยังอีกขั้วหนึ่งได้ การลัดวงจรขั้วแบตเตอรี่อาจทำให้เกิดการไหม้หรือไฟลุกได้
- ง) เมื่อใช้แบตเตอรี่ผิดวิธี อาจมีของเหลวไหลออกมาจากแบตเตอรี่ได้ ให้หลีกเลี่ยงการสัมผัสของเหลว หากสัมผัสโดยบังเอิญ ให้ใช้น้ำล้าง หากของเหลวเข้าตา ให้ขอความช่วยเหลือจากแพทย์ด้วย ของเหลวที่ไหลออกมาจากแบตเตอรี่อาจทำให้เกิดอาการคันหรือแสบผิวหนึ่งได้
- 6) การบริการ
- ก) ส่งเครื่องมือไฟฟ้าให้ช่างผู้เชี่ยวชาญตรวจสอบและใช้อะไหล่เปลี่ยนของแท้เท่านั้น ในลักษณะนี้ท่านจะแน่ใจได้ว่าเครื่องมือไฟฟ้าอยู่ในสภาพที่ปลอดภัย

คำแนะนำเพื่อความปลอดภัย

เฉพาะเครื่อง

- ▶ ใช้เครื่องตรวจที่เหมาะสมตรวจหาท่อและสายไฟฟ้าที่อาจซ่อนอยู่ในบริเวณที่จะทำงาน หรือขอความช่วยเหลือจากบริษัทวางท่อและสายไฟฟ้าในท้องถิ่น การสัมผัสกับสายไฟฟ้าอาจทำให้เกิดไฟไหม้หรือถูกไฟฟ้าช็อกหรือดูดได้ การทำให้ท่อแก๊สเสียหายอาจเกิดระเบิดได้ การเจาะเข้าในท่อน้ำทำให้ทรัพย์สินเสียหาย
- ▶ ปิดเครื่องมือไฟฟ้าทันทีที่เครื่องมือที่ใส่อยู่เกิดติดขัด เครื่องมือที่ใส่อยู่ติดขัดเนื่องจาก:
 - เครื่องมือไฟฟ้าถูกใช้งานเกินกำลังปกติ หรือ
 - เครื่องมือที่มึนเย็บอยู่ในชิ้นงาน
- ▶ เมื่อทำงานในบริเวณที่เครื่องมืออาจเจาะเข้าในสายไฟฟ้าที่ซ่อนอยู่ ต้องจับเครื่องตรึงผิวจับที่หุ้มฉนวนเท่านั้น การสัมผัสกับสายที่มีกระแสไฟฟ้าไหลอยู่จะทำให้ส่วนที่เป็นโลหะของเครื่องเกิดมีกระแสไฟฟ้าด้วย และส่งผลให้ถูกไฟฟ้าดูดได้
- ▶ จับเครื่องมือไฟฟ้าให้แน่น ขณะขันสกรูเข้าและคลายออก อาจเกิดแรงบิดสะท้อนช่วงสั้นๆ อย่างรุนแรงได้
- ▶ ยึดชิ้นงานให้แน่น การยึดชิ้นงานด้วยเครื่องหนีบหรือแท่นจับ จะมั่นคงกว่าการยึดด้วยมือ
- ▶ รักษาสถานที่ทำงานให้สะอาด การผสมผสานของวัสดุก่อให้เกิดอันตรายอย่างยิ่ง ผู้คนที่ได้จากโลหะนั้นหนักเบาอาจถูกไหม้หรือระเบิดได้
- ▶ ก่อนวางเครื่องลงบนพื้นทุกครั้ง ต้องรอให้เครื่องหยุดนิ่งอยู่กับที่เสมอ มิฉะนั้นเครื่องมือที่ใส่อยู่อาจติดขัดและนำไปสู่การสูญเสียการควบคุมเครื่องมือไฟฟ้า
- ▶ หลีกเลี่ยงการติดเครื่องโดยไม่ตั้งใจ ดูให้แน่ใจว่า สวิตช์เปิด-ปิดได้ตั้งอยู่ในตำแหน่งปิดก่อนใส่แพ็คแบตเตอรี่ การถือเครื่องมือไฟฟ้าโดยใช้นิ้วที่สวิตช์เปิด-ปิด หรือการใส่แพ็คแบตเตอรี่เข้าในเครื่องมือไฟฟ้าที่เปิดสวิตช์อยู่ จะทำให้เกิดอุบัติเหตุได้
- ▶ อย่าเปิดแบตเตอรี่ด้วยตนเอง อันตรายจากการลัดวงจร



ปกป้องแบตเตอรี่จากความร้อน ต. ย. เช่น กันไม่ให้ถูกแดดส่องต่อเนืองนานๆ และไม่ให้อุณหภูมิร้อนเกินไป อันตรายจากการเกิดระเบิด

ลักษณะหน้าที



ต้องอ่านคำเตือนเพื่อความปลอดภัยและคำสั่งทั้งหมด การไม่ปฏิบัติตามคำเตือนและคำสั่งอาจเป็นสาเหตุให้ถูกไฟฟ้าดูด เกิดไฟไหม้ และ/หรือได้รับบาดเจ็บอย่างร้ายแรง

ขณะอ่านคู่มือการใช้งานเครื่อง ให้เปิดหน้าที่แสดงภาพประกอบของเครื่องและเปิดค้างไว้

ประโยชน์การใช้งานของเครื่อง

เครื่องนี้ใช้สำหรับขันสกรูเข้าและคลายสกรูออก และใช้เจาะในไม้ โลหะ เซรามิก และพลาสติก

ส่วนประกอบผลิตภัณฑ์

ลำดับเลขของส่วนประกอบผลิตภัณฑ์ข้างถึงส่วนประกอบของเครื่องที่แสดงในหน้าภาพประกอบ

- 1 หัวจับดอกชนิดจับเร็ว
- 2 ปดกหน้า
- 3 ปดกหลัง
- 4 แนวนตั้งแรงบิดล่วงหน้า
- 5 สวิตช์ตั้งเกียร์
- 6 แบตเตอรี่*
- 7 แป้นปลดล็อกแบตเตอรี่
- 8 ดอกไขควง*
- 9 สวิตช์เปลี่ยนทิศทางการหมุน
- 10 สวิตช์เปิด-ปิด
- 11 ค้ามจับดอกทั่วไป*
- 12 สกรูยึดหัวจับดอกชนิดจับเร็ว
- 13 ประแจขันหกเหลี่ยม**

*อุปกรณ์ประกอบในภาพประกอบหรือในคำอธิบาย ไม่รวมอยู่ในการจัดส่งมาตรฐาน

**หาซื้อได้ทั่วไป (ไม่รวมอยู่ในขอบเขตการจัดส่ง)

ข้อมูลทางเทคนิค

ไขควงไร้สาย		GSR 9,6-2 Professional	GSR 12-2 Professional	GSR 14,4-2 Professional
หมายเลขสินค้า		3 601 J18 L..	3 601 J18 J..	3 601 J18 G..
แรงดันไฟฟ้ากำหนด	V=	9,6	12	14,4
ความเร็วรอบเดินตัวเปล่า				
– เกียร์ 1	รอบ/นาที	0–400	0–400	0–400
– เกียร์ 2	รอบ/นาที	0–1000	0–1200	0–1400
แรงบิดสูงสุดสำหรับการขันสกรูแบบแข็ง/ แบบนุ่ม ตาม ISO 5393	Nm	25/10	27/11	30/15
Ø-รูเจาะ สูงสุด (เกียร์ 1/2)				
– เหล็ก	มม.	10/10	12/12	12/12
– ไม้	มม.	20/13	23/14	26/19
Ø-สกรู สูงสุด	มม.	6	7	8
วงหนีบหัวจับดอก	มม.	1–10	1–10	1–10
เกลียวแกนสว่าน		3/8"	3/8"	3/8"
น้ำหนักตามระเบียบการ-EPTA-Procedure 01/2003	กก.	1,5	1,6	1,7
เครื่องแต่ละเครื่องอาจมีชื่อทางการค้าแตกต่างกัน ดังนั้นกรุณาดังขาด หมายเลขสินค้าบนแผ่นป้ายรุ่นของเครื่องของท่าน				

การประกอบ

การชาร์จแบตเตอรี่

แบตเตอรี่ใหม่หรือแบตเตอรี่ที่ไม่ได้ใช้งานเป็นระยะเวลานาน จะทำงานเต็มประสิทธิภาพหลังการอัดประจุเข้า/คายประจุออก แล้วประมาณ 5 รอบ

ถอดแบตเตอรี่ 6 ออกโดยกดปุ่มปลดล็อก 7 และเอาแบตเตอรี่ ออกโดยดันลงด้านล่าง **อย่าใช้กำลังดัน**

แบตเตอรี่ที่มีระบบควบคุมอุณหภูมิ NTC ประกอบอยู่ด้วย ระบบควบคุมนี้จะอนุญาตให้ชาร์จได้ที่อุณหภูมิระหว่าง 0 ถึง 45 องศาเซลเซียสเท่านั้น ในลักษณะนี้แบตเตอรี่จะมีอายุการใช้งานยืนยาว หลังจากชาร์จแบตเตอรี่แล้ว หากแบตเตอรี่มีช่วงเวลาทำงานสั้นมาก แสดงว่าแบตเตอรี่เสื่อมและต้องเปลี่ยนใหม่

อ่านและปฏิบัติตามข้อสังเกตสำหรับการกำจัดขยะ

การเปลี่ยนเครื่องมือ (ดูภาพประกอบ A)

► ก่อนปรับแต่งเครื่อง (ต. ย. เช่น การบำรุงรักษา การเปลี่ยนเครื่องมือ ฯลฯ) รวมทั้งเมื่อเคลื่อนย้ายและเก็บเข้าที่ ให้ **ตั้งสวิตช์ปรับทิศทางหมุนไว้ที่ตำแหน่งกลางเสมอ** หากสวิตช์เปิด-ปิดถูกกดโดยไม่เจตนา อาจทำให้บุคคลบาดเจ็บได้

จับปลอกท้าย 3 ของหัวจับดอกชนิดจับเร็ว 1 ให้แน่น และหมุน ปลอกหน้า 2 ไปในทิศทางหมุน ❶ จนสามารถสอดเครื่องมือได้ จับเครื่องมือใส่เข้าไป

จับปลอกหลัง 3 ของหัวจับดอกชนิดจับเร็ว 1 ให้แน่นและใช้มือหมุน ปลอกหน้า 2 เข้าไปตามทิศ ❷ อย่างมั่นคง

เมื่อต้องการถอดเครื่องมือออก ต้องปลดล็อกอีกครั้งโดยหมุน ปลอกหน้า 2 ไปในทิศตรงกันข้าม

การเปลี่ยนหัวจับดอก

- ▶ ก่อนปรับแต่งเครื่อง (ต. ย. เช่น การบำรุงรักษา การเปลี่ยนเครื่องมือ ฯลฯ) รวมทั้งเมื่อเคลื่อนย้ายและเก็บเข้าที่ ให้ตั้งสวิตช์ปรับทิศทางหมุนไว้ที่ตำแหน่งกลางเสมอ หากสวิตช์เปิด-ปิดถูกกดโดยไม่เจตนา อาจทำให้บุคคลบาดเจ็บได้

การถอดสกรูยึด (ดูภาพประกอบ B)

หัวจับดอกชนิดจับเร็ว 1 ถูกยึดด้วยสกรูยึด 12 เพื่อกันไม่ให้หลุดหลวมออกจากแกนสว่านโดยไม่ตั้งใจ เปิดหัวจับดอกชนิดจับเร็ว 1 ออกจนสุด และขันสกรูยึด 12 ไปตามทิศ ❶ กรณีสั่งเกตว่า สกรูยึดมีเกลียวควงซ้าย

การถอดหัวจับดอก (ดูภาพประกอบ C)

ใส่ประแจขันหกเหลี่ยมด้านปลายสั้น 13 เข้าในหัวจับดอกชนิดจับเร็ว 1

วางเครื่องลงบนพื้นผิวที่มั่นคง (ต.ย เช่น โต๊ะทำงานสำหรับช่าง) จับเครื่องให้แน่นและคลายหัวจับดอกชนิดจับเร็ว 1 ออกโดยหมุนประแจขันหกเหลี่ยม 13 ไปตามทิศ ❶ คลายหัวจับดอกชนิดจับเร็วที่ติดแน่นออกโดยเคาะเบาๆ ที่ด้านปลายยาวของประแจขันหกเหลี่ยม 13 ถอดประแจขันหกเหลี่ยมออกจากหัวจับดอกชนิดจับเร็ว และขันหัวจับดอกชนิดจับเร็วออกจนสุด

การประกอบหัวจับดอก (ดูภาพประกอบ D)

การประกอบหัวจับดอกชนิดจับเร็วเข้า ให้ทำตามลำดับย้อนหลัง

หมายเหตุ: เมื่อประกอบเสร็จแล้ว ให้ขันสกรูยึดหัวจับดอกชนิดจับเร็ว 12 กลับเข้าที่เดิม



ต้องขันหัวจับดอกเข้าให้แน่นด้วยกำลังบิดการขันประมาณ **35–40 Nm**

การดูดฝุ่น/ซีลเสีย

- ▶ ฝุ่นที่ได้จากวัสดุ เช่น เคลือบผิวที่มีสารตะกั่ว ไม้บางประเภท แร่ธาตุ และโลหะ อาจเป็นอันตรายต่อสุขภาพ การสัมผัสหรือการหายใจเอาฝุ่นเข้าไปอาจทำให้เกิดปฏิกิริยาแพ้ฝุ่น และ/หรือนำมาซึ่งโรคติดเชื้อระบบหายใจแก่ผู้ใช้เครื่องมือหรือผู้ที่ยืนอยู่ใกล้เคียง
- ▶ ฝุ่นบางประเภท เช่น ฝุ่นไม้เนื้อแข็ง หรือไม้บับ นับเป็นสารที่ทำให้เกิดมะเร็ง โดยเฉพาะอย่างยิ่งเมื่อผสมกับสารเติมแต่งเพื่อบำบัดไม้ (โครเมต ผลิตภัณฑ์รักษาเนื้อไม้) สำหรับวัสดุที่มีแอสเบสทอส ต้องให้ผู้เชี่ยวชาญทำงานเท่านั้น

- ใช้อุปกรณ์ดูดฝุ่นออกทุกครั้งเมื่อเป็นไปได้
- จัดสถานที่ทำงานให้มีการระบายอากาศที่ดี
- ขอแนะนำให้สวมหน้ากากป้องกันการติดเชื้อที่มีระดับ-ไส้กรอง P2

ปฏิบัติตามกฎข้อบังคับสำคัญอื่นๆ ที่เกี่ยวกับวัสดุชิ้นงาน ที่บังคับใช้ในประเทศของท่าน

การปฏิบัติงาน

เริ่มต้นปฏิบัติงาน

การใส่แบตเตอรี่

- ▶ ใช้เฉพาะแบตเตอรี่ O-pack ของแท้ของ บอช ที่มีค่าแรงดันไฟฟ้าตามที่ระบุไว้บนแผ่นป้ายรุ่นของเครื่องมือไฟฟ้าของท่านเท่านั้น การใช้แบตเตอรี่ชนิดอื่นอาจทำให้ได้รับบาดเจ็บและเกิดลุกไหม้ได้

ตั้งสวิตช์เปลี่ยนทิศทางหมุน 9 ที่ตำแหน่งกลางเพื่อหลีกเลี่ยงการติดเครื่องโดยไม่ตั้งใจ ใส่แบตเตอรี่ที่ชาร์จแล้ว 6 เข้าในด้ามจับให้ราบเสมอกัน และดันจนรู้สึกเข้าล็อก

การกลับทิศทางการหมุน (ดูภาพประกอบ E)

สวิตช์เปลี่ยนทิศทางการหมุน 9 ใช้สำหรับกลับทิศทางการหมุนของเครื่อง อย่างไรก็ตาม หากกดสวิตช์เปิด-ปิด 10 อยู่ จะกลับทิศทางการหมุนไม่ได้

การหมุนทางขวา: สำหรับการเจาะและขันสกรูเข้า ให้สับสวิตช์เปลี่ยนทิศทางการหมุน 9 ไปทางซ้ายจนสุด

การหมุนทางซ้าย: สำหรับการคลายหรือขันสกรูออก ให้สับสวิตช์เปลี่ยนทิศทางการหมุน 9 ไปทางขวาจนสุด

การตั้งแรงบิด

ท่านสามารถตั้งแรงบิดที่ต้องการไว้ล่วงหน้าได้ 25 ขึ้นด้วยแหวนตั้งแรงบิดล่วงหน้า 4 หากตั้งไว้ถูกต้อง เครื่องมือที่ได้จะหยุดในทันทีที่สกรูถูกขันเข้าในเนื้อวัสดุอย่างราบเรียบแล้ว หรือหยุดเมื่อถึงแรงบิดที่ตั้งไว้

เมื่อต้องการขันสกรูออก ให้ตั้งแรงบิดไว้สูงขึ้น หรือสับสวิตช์ไปที่สัญลักษณ์ "การเจาะ"

การเลือกเกียร์ ระบบกลไก

▶ **ตั้งปุ่มตั้งเกียร์ 5 เมื่อเครื่องหยุดนิ่งอยู่กับที่แล้วเท่านั้น**

ปุ่มตั้งเกียร์ 5 สามารถตั้งความเร็วรอบล่วงหน้าได้สองชั้น

เกียร์ I:

ความเร็วรอบต่ำ สำหรับการขึ้นสกรู หรือการเจาะรูเส้นผ่าศูนย์กลางขนาดใหญ่ ศูนย์กลางขนาดใหญ่

เกียร์ II:

ความเร็วรอบสูง สำหรับการเจาะรูเส้นผ่าศูนย์กลางขนาดเล็ก

หากไม่สามารถเลื่อนปุ่มตั้งเกียร์ 5 ไปจนสุดได้ ให้หมุนหัวจับดอกพร้อมดอกสว่านเล็กน้อย

การเปิด-ปิดเครื่อง

เปิดเครื่องทำงานโดยกดสวิตช์เปิด-ปิด 10 และกดค้างไว้

ปิดเครื่องโดยปล่อยนิ้วจากสวิตช์เปิด-ปิด 10

การปรับความเร็วรอบ

ความเร็วรอบของเครื่องมือไฟฟ้าที่เปิดทำงานสามารถปรับเปลี่ยนได้ตามแรงกดมากน้อยบนสวิตช์เปิด-ปิด 10

การกดสวิตช์เปิด-ปิด 10 เบาจะได้ความเร็วรอบต่ำ การกดสวิตช์แรงยิ่งขึ้นจะได้ความเร็วรอบสูงขึ้น

เบรกกันการหมุนต่อ

เมื่อปล่อยนิ้วจากสวิตช์เปิด-ปิด 10 หัวจับดอกจะถูกเบรกให้หยุด จึงเป็นการยับยั้งไม่ให้เครื่องมือหมุนต่อได้

เมื่อขึ้นสกรูเข้า ให้รอจนสกรูถูกขันราบเสมอกับแผ่นชิ้นงาน จากนั้นจึงปล่อยนิ้วจากสวิตช์เปิด-ปิด 10 ในลักษณะนี้ หัวสกรูจะไม่แทงทะลุเข้าไปเนื้อวัสดุ

ข้อแนะนำในการทำงาน

▶ **จับเครื่องมือไฟฟ้าทางบนสกรูเมื่อเครื่องปิดอยู่เท่านั้น**
เครื่องมือที่กำลังหมุนอยู่สามารถทำให้ลื่นไถลได้

คำแนะนำ

หลังจากใช้เครื่องด้วยความเร็วต่ำเป็นเวลานาน ต้องทำให้เครื่องเย็นลงโดยปล่อยให้เครื่องเดินเปล่าที่ความเร็วสูงสุดนานประมาณ 3 นาที

ให้ใช้เฉพาะดอกสว่าน HSS (HSS = high-speed steel) ที่ลับคมอย่างดีสำหรับเจาะโลหะ ดอกสว่านที่เป็นอุปกรณ์ประกอบของแท้ของ บอช รับประกันคุณภาพการเจาะ

ขอแนะนำให้เจาะรูมาก่อนขึ้นสกรูขนาดใหญ่หรือยาวเข้าไปในชิ้นงานที่เป็นวัสดุแข็งโดยเจาะลึกประมาณ $\frac{2}{3}$ ของความยาวสกรู

การบำรุงรักษาและการบริการ

การบำรุงรักษาและการทำความสะอาด

- ▶ **ก่อนปรับแต่งเครื่อง (ต. ย. เช่น การบำรุงรักษา การเปลี่ยนเครื่องมือ ฯลฯ) รวมทั้งเมื่อเคลื่อนย้ายและเก็บเข้าที่ ให้ตั้งสวิตช์ปรับทิศทางหมุนไว้ที่ตำแหน่งกลางเสมอ** หากสวิตช์เปิด-ปิดถูกกดโดยไม่เจตนา อาจทำให้บุคคลบาดเจ็บได้
- ▶ **เพื่อให้ทำงานได้อย่างถูกต้องและปลอดภัย ต้องรักษาเครื่องและช่องระบายอากาศให้สะอาดอยู่เสมอ**

เครื่องมือไฟฟ้าผ่านกรรมวิธีการผลิตและตรวจสอบอย่างละเอียดถี่ถ้วนมาแล้ว ถึงกระนั้น หากเครื่องเกิดข้อขัดข้อง ต้องส่งเครื่องให้ศูนย์บริการหลังการขายสำหรับเครื่องมือไฟฟ้า บอช ซ่อมแซม

เมื่อต้องการสอบถามและสั่งซื้ออะไหล่ กรุณาแจ้งหมายเลขสินค้า สิบลักษณ์บนแผ่นป้ายรุ่นของเครื่องทุกครั้ง

การบริการหลังการขายและการให้คำแนะนำลูกค้า

ศูนย์บริการหลังการขายของเรายินดีตอบคำถามของท่านที่เกี่ยวกับการบำรุงรักษาและการซ่อมแซมผลิตภัณฑ์รวมทั้งเรื่องอะไหล่ ภาพขยายและข้อมูลเกี่ยวกับอะไหล่ กรุณาดูใน:

www.bosch-pt.com

แผนกให้คำปรึกษาลูกค้าของเราพร้อมให้คำแนะนำที่ดีที่สุดแก่ท่านในเรื่องการซื้อผลิตภัณฑ์ การใช้งานและการปรับแต่งผลิตภัณฑ์และอุปกรณ์ประกอบต่างๆ

ในกรณีประกัน ซ่อมแซม หรือซื้อชิ้นส่วนมาเปลี่ยน กรุณาติดต่อผู้ขายที่ได้รับแต่งตั้งเท่านั้น

ประเทศไทย

สำนักงาน

บริษัท โรเบิร์ต บอช จำกัด

ชั้น 11 ตึกลิเบอร์ตี สแควร์

287 ถนนสีลม

กรุงเทพฯ 10500

โทรศัพท์ +66 (0)2 / 6 31 18 79 – 18 88 (10 หมายเลข)

โทรสาร +66 (0)2 / 2 38 47 83

ตู้ไปรษณีย์

บริษัท โรเบิร์ต บอช จำกัด

แผนกเครื่องมือไฟฟ้า

ตู้ ปณ. 20 54

กรุงเทพฯ 10501

ประเทศไทย

ศูนย์บริการซ่อมและฝึกอบรม

ศูนย์บริการซ่อมและฝึกอบรมบอช

2869 – 2869/1 ซอยบ้านกล้วย

ถนนพระรามที่ 4 (ใกล้ทางรถไฟสายปากน้ำเก่า)

พระโขนง

กรุงเทพฯ 10110

ประเทศไทย

โทรศัพท์ +66 (0)2 / 6 71 78 00 – 4

โทรสาร +66 (0)2 / 2 49 42 96

โทรสาร +66 (0)2 / 249 5299

การกำจัดขยะ

เครื่องมือ อุปกรณ์ประกอบ และหีบห่อ ต้องนำไปแยกประเภทวัสดุเพื่อนำกลับมาใช้ใหม่โดยไม่ทำลายสภาพแวดล้อม

สำหรับประเทศสมาชิกประชาคมยุโรปเท่านั้น:



อย่าทิ้งเครื่องมือไฟฟ้าลงในขยะบ้าน!

ตามกฎระเบียบยุโรป 2002/96/EC เกี่ยวกับ

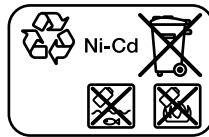
อุปกรณ์ไฟฟ้าและอิเล็กทรอนิกส์เก่า และตาม

กฎหมายของประเทศที่นำกฎระเบียบยุโรป

มาใช้ ต้องแยกเก็บเครื่องมือไฟฟ้าที่ไม่สามารถ

ใช้งานต่อไปได้ และนำชิ้นส่วนกลับมาใช้ใหม่ด้วยวิธีการที่เป็นมิตรต่อสภาพแวดล้อม

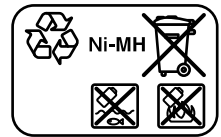
แพ็คเกจเตอรี่/แบตเตอรี่:



Ni Cd: นิกเกิล-แคดเมียม

คำเตือน: แพ็คเกจเตอรี่นี้บรรจุแคดเมียม ซึ่งเป็นโลหะหนักที่มีพิษสูง

Ni MH: นิกเกิล-เมทัล ไฮไดรด์



อย่าทิ้งแพ็คเกจเตอรี่/แบตเตอรี่ลงในขยะบ้าน โยนลงน้ำ หรือโยนเข้ากองไฟ ต้องเก็บรวบรวมแพ็คเกจเตอรี่/แบตเตอรี่ และนำเข้าสู่กระบวนการนำกลับมาใช้ใหม่ หรือนำไปกำจัดในลักษณะที่ไม่ทำลายสภาพแวดล้อม

ขอสงวนสิทธิ์ในการเปลี่ยนแปลงโดยไม่ต้องแจ้งล่วงหน้า

Petunjuk-Petunjuk Umum untuk Perkakas Listrik

⚠ PERHATIKANLAH

Bacalah semua petunjuk-petunjuk

untuk keselamatan kerja dan petunjuk-petunjuk untuk penggunaan. Kesalahan dalam menjalankan petunjuk-petunjuk untuk keselamatan kerja dan petunjuk-petunjuk untuk penggunaan dapat mengakibatkan kontak listrik, kebakaran dan/atau luka-luka yang berat.

Simpanlah semua petunjuk-petunjuk untuk keselamatan kerja dan petunjuk-petunjuk lainnya untuk penggunaan di masa depan.

Kata „perkakas listrik“ yang disebutkan di dalam petunjuk-petunjuk untuk keselamatan kerja adalah sebutan untuk perkakas listrik pakai listrik jaringan (dengan kabel) dan untuk perkakas listrik pakai aki (tanpa kabel listrik).

1) Keselamatan kerja di tempat kerja

- a) **Jagalah supaya tempat kerja selalu bersih dan terang.** Tempat kerja yang tidak rapi atau tidak terang dapat mengakibatkan terjadinya kecelakaan.
- b) **Janganlah menggunakan perkakas listrik di tempat di mana dapat terjadi ledakan, di mana ada cairan, gas atau debu yang mudah terbakar.** Perkakas listrik dapat memancarkan bunga api yang lalu mengakibatkan debu atau uap terbakar.
- c) **Selama menggunakan perkakas listrik, jauhkan anak-anak dan orang-orang lain dari tempat kerja.** Jika konsentrasi terganggu, bisa jadi Anda tidak bisa mengendalikan perkakas listrik tersebut.

2) Keamanan listrik

- a) **Steker dari perkakas listrik harus cocok pada stopkontak.** Janganlah sekali-kali merubah steker. Janganlah menggunakan steker perantara bersama dengan perkakas listrik yang mempunyai hubungan arde. Steker yang tidak dirubah dan stopkontak yang cocok mengurangi bahaya terjadinya kontak listrik.

- b) **Jagalah supaya badan Anda tidak bersentuhan dengan permukaan yang mempunyai hubungan arde, misalnya pipa-pipa, radiator pemanas ruangan, kompor listrik dan lemari es.** Ada risiko besar terjadi kontak listrik, jika badan Anda mempunyai hubungan arde.
- c) **Jagalah supaya perkakas listrik tidak kena hujan atau menjadi basah.** Air yang masuk ke dalam perkakas listrik menambah risiko terjadinya kontak listrik.
- d) **Janganlah menyalah gunakan kabel listrik untuk mengangkat dan menggantungkan perkakas listrik atau untuk menarik steker dari stopkontak.** Jagalah supaya kabel listrik tidak kena panas, minyak, pinggiran yang tajam atau bagian-bagian perkakas yang bergerak. Kabel listrik yang rusak atau tersangkut menambah risiko terjadinya kontak listrik.
- e) **Jika Anda menggunakan perkakas listrik di luar gedung, gunakanlah hanya kabel sambungan yang juga cocok untuk pemakaian di luar gedung.** Penggunaan kabel sambungan yang cocok untuk pemakaian di luar gedung mengurangi risiko terjadinya kontak listrik.
- f) **Jika penggunaan perkakas listrik di tempat yang basah tidak bisa dihindarkan, gunakanlah sakelar pengaman terhadap arus penyimpangan.** Penggunaan sakelar pengaman terhadap arus penyimpangan mengurangi risiko terjadinya kontak listrik.

3) Keselamatan kerja

- a) **Berhati-hatilah selalu, perhatikanlah apa yang Anda kerjakan dan bekerjalah dengan seksama jika menggunakan perkakas listrik.** Janganlah menggunakan perkakas listrik, jika Anda capai atau berada di bawah pengaruh narkoba, minuman keras atau obat. Jika Anda sekejap mata saja tidak berhati-hati sewaktu menggunakan perkakas listrik, dapat terjadi luka-luka berat.

- b) Pakailah pakaian dan sarana pelindung dan pakailah selalu kaca mata pelindung.** Dengan memakai pakaian dan sarana pelindung, misalnya kedok anti debu, sepatu tertutup yang tidak licin, helm pelindung atau pemalut telinga sesuai dengan pekerjaan yang dilakukan dengan perkakas listrik, bahaya terjadinya luka-luka dapat dikurangi.
- c) Jagalah supaya perkakas listrik tidak dihidupkan secara tidak disengaja. Perhatikan bahwa perkakas listrik dalam penyetalan mati, jika steker disambungkan pada pengadaan listrik dan/atau aki, jika perkakas listrik diangkat atau dibawa.** Jika selama mengangkat perkakas listrik jari Anda berada pada tombol untuk menghidupkan dan mematikan atau perkakas listrik yang dalam penyetalan hidup disambungkan pada listrik, dapat terjadi kecelakaan.
- d) Lepaskan semua perkakas-perkakas penyetalan atau kunci-kunci pas sebelum perkakas listrik dihidupkan.** Perkakas atau kunci yang berada di dalam bagian yang berputar dapat mengakibatkan terjadinya luka-luka.
- e) Atur badan sedemikian sehingga Anda bisa bekerja dengan aman. Berdirilah secara mantap dan jagalah selalu keseimbangan.** Dengan demikian Anda bisa mengendalikan perkakas listrik dengan lebih baik, jika terjadi sesuatu dengan tiba-tiba.
- f) Pakailah pakaian yang cocok. Janganlah memakai pakaian yang longgar atau perhiasan. Jagalah supaya rambut, pakaian dan sarung tangan tidak masuk dalam bagian-bagian perkakas yang bergerak.** Pakaian yang longgar, rambut panjang atau perhiasan dapat tersangkut dalam bagian perkakas yang bergerak.
- g) Jika ada kemungkinan untuk memasang sarana penghisapan dan penampungan debu, perhatikan bahwa sarana-sarana ini telah dipasangkan dan digunakan dengan betul.** Penggunaan sarana penghisapan bisa mengurangi bahaya yang disebabkan debu.
- 4) Penggunaan dan penanganan perkakas listrik dengan seksama**
- a) Janganlah membebankan perkakas listrik terlalu berat. Gunakan selalu perkakas listrik yang cocok untuk pekerjaan yang dilakukan.** Dengan perkakas listrik yang cocok Anda bekerja lebih baik dan lebih aman dalam batas-batas kemampuan yang ditentukan.
- b) Janganlah menggunakan perkakas listrik yang tombolnya rusak.** Perkakas listrik yang tidak bisa dihidupkan atau dimatikan, berbahaya dan harus direparasikan.
- c) Tariklah steker dari stopkontak dan/atau keluarkan aki, sebelum Anda melakukan penyetalan pada perkakas listrik, mengganti alat-alat kerja atau sebelum menyimpan perkakas listrik.** Tindakan keselamatan kerja ini mengurangi bahaya perkakas listrik hidup secara tidak disengaja.
- d) Simpanlah perkakas listrik yang tidak digunakan di luar jangkauan anak-anak. Janganlah mengizinkan orang-orang yang tidak mengenal perkakas listrik ini atau yang belum membaca petunjuk-petunjuk ini, menggunakan perkakas listrik ini.** Perkakas listrik bisa menjadi berbahaya, jika digunakan oleh orang-orang yang tidak mengenalnya.
- e) Rawatlah perkakas listrik dengan seksama. Periksalah, apakah bagian-bagian perkakas listrik yang bergerak berfungsi dengan baik dan tidak tersangkut, apakah ada bagian-bagian yang patah atau rusak sedemikian, sehingga dapat mempengaruhi jalannya perkakas listrik. Biarkan bagian-bagian perkakas yang rusak direparasikan, sebelum Anda mulai menggunakan perkakas listrik.** Banyak kecelakaan terjadi karena perkakas listrik tidak dirawat dengan seksama.
- f) Perhatikan supaya alat-alat pemotong selalu tajam dan bersih.** Alat-alat pemotong dengan mata-mata pemotong yang tajam dan dirawat dengan seksama tidak mudah tersangkut dan lebih mudah dikendalikan.

g) **Gunakanlah semua perkakas listrik, aksesoris, alat-alat kerja dsb. sesuai dengan petunjuk-petunjuk. Perhatikan syarat-syarat kerja dan macam pekerjaan yang dilakukan.** Penggunaan perkakas listrik untuk macam pekerjaan yang tidak cocok dengan kegunaannya bisa mengakibatkan keadaan yang berbahaya.

5) Penanganan dan penggunaan perkakas-perkakas pakai aki dengan seksama

a) **Isikan aki hanya dalam alat-alat pencas baterai yang dianjurkan oleh pabrik.** Jika suatu alat pencas baterai yang cocok untuk mengisi satu macam aki tertentu, digunakan untuk mengisi aki-aki lainnya, ada bahaya terjadinya kebakaran.

b) **Gunakanlah hanya aki-aki yang cocok dan khusus untuk masing-masing perkakas listrik.** Penggunaan aki-aki lain dapat mengakibatkan terjadinya luka-luka dan kebakaran.

c) **Jika aki tidak digunakan, jauhkan aki dari klip untuk kertas, uang logam, kunci, paku, sekrup atau benda-benda kecil dari logam lainnya, yang dapat menjembatani kontak-kontak.** Korsleting antara kontak-kontak aki dapat mengakibatkan kebakaran atau api.

d) **Jika aki tidak digunakan dengan betul, dapat keluar cairan dari aki. Jagalah supaya Anda tidak terkena pada cairan ini. Jika secara tidak disengaja Anda terkena pada cairan ini, cucikan dengan air. Jika cairan tersebut terkena pada mata, selain itu mintakan bantuan dari seorang dokter.** Cairan yang keluar dari aki dapat mengakibatkan gangguan pada kulit atau kebakaran.

6) Servis

a) **Biarkan perkakas listrik Anda direparasikan hanya oleh orang-orang ahli yang berpengalaman dan hanya dengan menggunakan suku cadang yang asli.** Dengan demikian terjamin keselamatan kerja dengan perkakas listrik ini secara sinambung.

Petunjuk-petunjuk khusus untuk perkakas-perkakas tertentu

- ▶ **Gunakanlah alat detektor logam yang cocok untuk mencari kabel dan pipa pengadaan yang tidak terlihat, atau hubungi perusahaan pengadaan setempat.** Sentuhan dengan kabel-kabel listrik bisa mengakibatkan api dan kontak listrik. Pipa gas yang dirusak bisa mengakibatkan ledakan. Pipa air yang dirusak mengakibatkan barang-barang menjadi rusak.
- ▶ **Matikanlah segera perkakas listrik, jika alat kerjanya memblok. Berwaspadalah akan terjadinya momen reaksi yang besar yang mengakibatkan bantingan.** Alat kerja memblok jika:
 - perkakas listrik dibebankan terlalu berat atau
 - alat kerja tersangkut dalam benda yang dikerjakan.
- ▶ **Peganglah perkakas listrik hanya pada pegangan yang terisolir, jika Anda melakukan pekerjaan di mana alat kerjanya bisa terkena pada saluran listrik yang tidak terlihat.** Sentuhan pada kabel yang bertegangan dapat mengakibatkan bagian-bagian logam dari perkakas listrik juga bertegangan dan lalu mengakibatkan kontak listrik.
- ▶ **Peganglah perkakas listrik secara kencang.** Pada waktu memutar masuk dan memutar ke luar sekrup bisa terjadi momen yang besar untuk waktu yang singkat.
- ▶ **Usahkan supaya benda yang dikerjakan tidak goyang.** Benda yang ditahan dalam alat pemegang atau bais lebih mantap daripada benda yang dipegang dengan tangan.
- ▶ **Jagalah supaya tempat di mana Anda bekerja selalu bersih.** Campuran bahan-bahan sangat membahayakan. Debu logam ringan bisa terbakar atau meledak.
- ▶ **Sebelum meletakkan perkakas listrik, tunggulah sampai perkakas berhenti memutar.** Alat kerja bisa tersangkut dan membuat perkakas listrik tidak bisa dikendalikan.

- ▶ **Jagalah supaya perkakas listrik tidak dihidupkan secara tidak disengaja. Perhatikanlah bahwa perkakas listrik dalam penyetelan mati, jika Anda memasang aki.** Jika selama mengangkat perkakas listrik jari Anda berada pada tombol untuk menghidupkan dan mematikan atau jika Anda memasang aki pada perkakas listrik yang dalam penyetelan hidup, bisa terjadi kecelakaan.
- ▶ **Janganlah membuka aki.** Ada bahaya terjadinya korsleting.



Lindungilah aki terhadap suhu yang terlalu tinggi, misalnya juga terhadap sinar matahari untuk waktu yang lama dan api. Ada bahaya terjadinya ledakan.

Penjelasan tentang cara berfungsi



Bacalah semua petunjuk-petunjuk untuk keselamatan kerja dan petunjuk-petunjuk untuk penggunaan. Kesalahan dalam menjalankan petunjuk-petunjuk untuk keselamatan kerja dan

petunjuk-petunjuk untuk penggunaan dapat mengakibatkan kontak listrik, kebakaran dan/atau luka-luka yang berat.

Bukalah halaman lipatan dengan gambar dari perkakas dan biarkan halaman ini terbuka selama Anda membaca petunjuk-petunjuk untuk penggunaan.

Penggunaan perkakas listrik

Perkakas listrik ini cocok untuk memutar masuk dan memutar ke luar sekrup dan baut serta untuk membor di kayu, logam, keramik dan bahan sintetik.

Bagian-bagian pada gambar

Nomor-nomor dari bagian-bagian perkakas pada gambar sesuai dengan gambar perkakas listrik pada halaman bergambar.

- 1 Cekaman mata bor yang dikunci dan dibuka dengan tangan
- 2 Selubung depan
- 3 Selubung belakang
- 4 Ring untuk penyetelan pendahuluan momen putar
- 5 Sakelar untuk memilih tingkatan putaran
- 6 Aki*
- 7 Tombol pelepas aki
- 8 Mata obeng bit*
- 9 Omsakelar arah putaran
- 10 Tombol untuk menghidupkan dan mematikan
- 11 Pemegang mata obeng bit*
- 12 Sekrup pengaman untuk cekaman mata bor yang dikunci dan dibuka dengan tangan
- 13 Kunci mur dalam**

***Aksesori yang ada dalam gambar atau yang dijelaskan tidak termasuk dalam mesin standar yang dipasok.**

****dijual secara umum (tidak termasuk perkakas listrik yang dipasok)**

Data teknis

Obeng elektro pakai aki		GSR 9,6-2 Professional	GSR 12-2 Professional	GSR 14,4-2 Professional
Nomor model		3 601 J18 L..	3 601 J18 J..	3 601 J18 G..
Tegangan nominal	V=	9,6	12	14,4
Kecepatan putaran tanpa beban				
– Tingkatan putaran ke 1	min ⁻¹	0–400	0–400	0–400
– Tingkatan putaran ke 2	min ⁻¹	0–1000	0–1200	0–1400
Momen putar maks. penyekrupan ketat/lunak menurut ISO 5393	Nm	25/10	27/11	30/15
Ø mata bor maks. (Tingkatan putaran 1/2)				
– Baja	mm	10/10	12/12	12/12
– Kayu	mm	20/13	23/14	26/19
Ø-sekrup maks.	mm	6	7	8
Kepala cekam yang bisa memegang mata bor	mm	1–10	1–10	1–10
Ulir poros mesin		3/8"	3/8"	3/8"
Berat sesuai dengan EPTA-Procedure 01/2003	kg	1,5	1,6	1,7

Perhatikanlah nomor model perkakas listrik Anda yang tercantum pada label tipe mesin. Nama dagang dari beberapa perkakas listrik bisa berbeda.

Cara memasang

Cara mengisi aki

Aki yang baru atau aki yang sudah lama tidak dipakai baru setelah kira-kira 5 kali diisi-dipakai mencapai dayanya yang maksimal.

Untuk mengeluarkan aki **6** tekan tombol pelepas aki **7** dan tariklah aki ke bawah supaya ke luar dari perkakas listrik. **Janganlah melakukannya dengan paksaan.**

Aki dilengkapi dengan penjaga suhu NTC yang memungkinkan pengisian aki hanya pada tingkatan suhu antara 0 °C dan 45 °C. Ini membuat aki tahan lama.

Jika setelah diisi waktu pemakaian aki semakin pendek, ini petanda bahwa aki sudah aus dan harus diganti.

Perhatikanlah petunjuk-petunjuk untuk membuang.

Mengganti alat kerja (lihat gambar A)

- **Sebelum melakukan semua pekerjaan pada perkakas listrik (misalnya merawat, mengganti alat kerja dsb.) serta selama mentranspor dan menyimpan perkakas listrik, putarkan pengubah arah putaran ke kedudukan tengah.** Jika tombol untuk menghidupkan dan mematikan mesin digerakkan tanpa sengaja, bisa terjadi luka-luka.

Pegangkan selubung belakang **3** dari cekaman mata bor yang dikunci dan dibuka dengan tangan **1** dan putarkan selubung depan **2** dalam arah putaran **1**, sampai alat kerja bisa dimasukkan. Pasangkan alat kerja.

Pegang selubung belakang **3** dari cekaman mata bor yang dikunci dan dibuka dengan tangan **1** dan putarkan selubung depan **2** dengan tangan dalam arah putaran **2** secara kencang.

Penguncian terbuka kembali, jika pada waktu mengeluarkan alat kerja, selubung depan **2** diputar dalam arah yang berlawanan.

Mengganti cekaman mata bor

- ▶ Sebelum melakukan semua pekerjaan pada perkakas listrik (misalnya merawat, mengganti alat kerja dsb.) serta selama mentranspor dan menyimpan perkakas listrik, putarkan pengubah arah putaran ke kedudukan tengah. Jika tombol untuk menghidupkan dan mematikan mesin digerakkan tanpa sengaja, bisa terjadi luka-luka.

Melepaskan sekrup pengaman (lihat gambar B)

Cekaman mata bor yang dikunci dan dibuka dengan tangan **1** dimantapkan dengan sekrup pengaman **12**, supaya tidak terlepas tanpa disengaja dari poros mesin. Bukakan cekaman mata bor yang dikunci dan dibuka dengan tangan **1** sama sekali dan putarkan sekrup pengaman **12** dalam arah **⚙** sampai lepas. **Perhatikanlah bahwa sekrup pengaman berulir kiri.**

Melepaskan cekaman mata bor (lihat gambar C)

Pasangkan gagang pendek dari satu kunci mur dalam **13** ke dalam cekaman mata bor yang dikunci dan dibuka dengan tangan **1**.

Letakkan perkakas listrik pada alas yang stabil, misalnya meja kerja. Pegang perkakas listrik dan lepaskan cekaman mata bor yang dikunci dan dibuka dengan tangan **1** dengan cara memutar kunci mur dalam **13** dalam arah **⚙**. Cekaman mata bor yang dikunci dan dibuka dengan tangan yang terlalu kencang duduknya dilepaskan dengan cara memukul gagang panjang dari kunci mur dalam **13**. Keluarkan kunci mur dalam dari cekaman mata bor yang dikunci dan dibuka dengan tangan dan putarkan cekaman mata bor ini sampai terlepas sama sekali.

Memasang cekaman mata bor (lihat gambar D)

Cara memasang cekaman mata bor yang dikunci dan dibuka dengan tangan adalah dalam urutan terbalik dari cara melepaskannya.

Petunjuk: Setelah cekaman mata bor yang dibuka dan dikunci dengan tangan selesai dipasangkan, putarkan masuk sekrup pengaman **12**.



Cekaman mata bor harus dikencangkan dengan momen kunci baut sebesar kira-kira 35–40 Nm.

Penghisapan debu/serbuk

- ▶ Debu dari bahan-bahan seperti misalnya cat yang mengandung timbel (timah hitam), beberapa jenis kayu, bahan mineral dan logam bisa berbahaya bagi kesehatan. Menyentuh atau menghirup debu-debu ini bisa mengakibatkan reaksi alergi dan/atau penyakit saluran pernafasan dari orang yang menggunakan mesin atau orang yang berada di dekatnya.

Beberapa debu tertentu seperti misalnya debu kayu pohon quercus atau pohon fagus silvatica dianggap bisa mengakibatkan penyakit kanker, terutama dalam campuran dengan bahan-bahan tambahan untuk pengolahan kayu (kromat, obat pengawet kayu). Bahan-bahan yang mengandung asbestos hanya boleh dikerjakan oleh orang-orang yang ahli.

- Gunakanlah sedapat mungkin sarana penghisap debu.
- Perhatikanlah supaya ada pertukaran udara di tempat kerja.
- Kami anjurkan supaya Anda memakai kedok anti debu dengan saringan (filter) kelas P2.

Taatilah peraturan-peraturan untuk bahan-bahan yang dikerjakan yang berlaku di negara Anda.

Penggunaan

Cara penggunaan

Memasang aki

- **Gunakanlah hanya aki O-pack asli merek Bosch dengan tegangan yang tercantum pada label tipe perkakas listrik Anda.**
Penggunaan aki lainnya bisa mengakibatkan terjadinya luka-luka dan kebakaran.

Setelkan omsakelar arah putaran **9** pada kedudukan tengah supaya perkakas listrik tidak dihidupkan tanpa disengaja. Pasangkan aki **6** yang sudah diisi pada gagang sampai jelas terasa mengancing dan duduk rata pada gagang.

Menyetel arah putaran (lihat gambar E)

Dengan omsakelar arah putaran **9** Anda bisa merubah arah putaran dari perkakas listrik. Akan tetapi ini tidak mungkin jika tombol untuk menghidupkan dan mematikan mesin **10** sedang ditekan.

Arah putaran ke kanan: untuk membor dan memutar masuk sekrup, tekan omsakelar arah putaran **9** ke kiri sampai batas.

Arah putaran ke kiri: untuk melepaskan atau memutar ke luar sekrup, tekan omsakelar arah putaran **9** ke kanan sampai batas.

Penyetelan pendahuluan momen putar

Dengan ring untuk penyetelan pendahuluan momen putar **4** Anda bisa memilih momen putar dalam 25 tingkatan sebelum penggunaan perkakas listrik. Jika penyetelan momen putar betul, alat kerja akan berhenti berputar segera setelah permukaan sekrup tanam sama rata dengan permukaan bahan atau momen putar yang disetelkan sebelumnya tercapai. Pada waktu memutar ke luar sekrup, pilihlah penyetelan yang lebih tinggi atau setelkan pada simbol „membor“.

Memilih tingkatan putaran secara mekanis

- **Sakelar untuk memilih tingkatan putaran 5 hanya boleh digerakkan jika perkakas dalam keadaan mati.**

Dengan sakelar **5** bisa disetelkan 2 bidang tingkatan putaran sebelumnya.

Gigi ke I:

Bidang kecepatan putaran rendah; untuk menyekrup atau untuk pekerjaan dengan diameter mata bor yang besar.

Gigi ke II:

Bidang kecepatan putaran tinggi; untuk pekerjaan dengan diameter mata bor yang kecil.

Jika sakelar untuk memilih tingkatan putaran **5** tidak bisa didorongkan sampai batas, putarkan sedikit cekaman mata bor dengan mata bor.

Menghidupkan/mematikan perkakas listrik

Untuk **menghidupkan**, tekan tombol untuk menghidupkan dan mematikan **10** dan tahan tekanan.

Untuk **mematikan** perkakas listrik, lepaskan tombol untuk menghidupkan dan mematikan **10**.

Menyetel kecepatan putaran

Anda bisa menyetel kecepatan putaran tanpa tingkatan pada perkakas listrik yang hidup, tergantung dari tekanan pada tombol untuk menghidupkan dan mematikan mesin **10**.

Tekanan ringan pada tombol **10** mengakibatkan kecepatan putaran yang rendah. Tekanan yang lebih besar mengakibatkan kecepatan putaran yang lebih tinggi.

Rem otomatis setelah dipadamkan

Jika tekanan pada tombol untuk menghidupkan dan mematikan mesin **10** dilepaskan, cekaman mata bor direm otomatis dan dengan demikian alat kerja berhenti memutar.

Pada pekerjaan menyekrup, tombol untuk menghidupkan dan mematikan mesin **10** baru dilepaskan, jika permukaan kepala sekrup sama rata dengan permukaan bahan. Dengan demikian kepala sekrup tidak masuk ke dalam bahan.

Petunjuk-petunjuk untuk pemakaian

- ▶ **Pasangkan perkakas listrik pada sekrup hanya jika perkakas listrik dalam keadaan mati.** Alat kerja-alat kerja yang berputar bisa meleset.

Tips

Setelah perkakas listrik digunakan untuk waktu yang lama dengan kecepatan putaran yang rendah, perkakas listrik didinginkan dengan cara membiarkan perkakas listrik berputar tanpa beban pada kecepatan putaran maksimum kira-kira selama 3 menit.

Untuk pemboran dalam logam, gunakanlah hanya mata bor HSS (HSS = High Speed Steel, baja cepat) yang mulus dan telah diasah. Mutu ini dipenuhi oleh program aksesori dari Bosch.

Sebelum memutar masuk sekrup yang besar dan panjang ke dalam bahan yang keras, buatlah dahulu lubang bor dengan diameter inti dari ulir dengan panjang kira-kira $\frac{2}{3}$ dari panjang sekrup.

Rawatan dan servis

Rawatan dan kebersihan

- ▶ **Sebelum melakukan semua pekerjaan pada perkakas listrik (misalnya merawat, mengganti alat kerja dsb.) serta selama mentranspor dan menyimpan perkakas listrik, putarkan pengubah arah putaran ke kedudukan tengah.** Jika tombol untuk menghidupkan dan mematikan mesin digerakkan tanpa sengaja, bisa terjadi luka-luka.
- ▶ **Perkakas listrik dan lubang ventilasi harus selalu dibersihkan supaya perkakas bisa digunakan dengan baik dan aman.**

Jika pada suatu waktu perkakas listrik ini tidak bisa berjalan meskipun telah diproduksi dan diperiksa dengan seksama, maka reparasinya harus dilakukan oleh Service Center perkakas listrik Bosch yang resmi.

Jika Anda hendak menanyakan sesuatu atau memesan suku cadang, sebutkan selalu nomor model yang terdiri dari 10 angka dan tercantum pada label tipe pekasas.

Layanan pasca beli dan konsultasi bagi pelanggan

Layanan pasca beli Bosch menjawab semua pertanyaan Anda tentang reparasi dan perawatan serta tentang suku cadang produk ini. Gambar tiga dimensi dan informasi tentang suku cadang bisa Anda lihat di:

www.bosch-pt.com

Tim konsultan Bosch dengan senang hati membantu Anda pada pembelian, penggunaan dan penyetalan produk ini dan aksesorinya.

Indonesia

PT. Multi Tehaka
Kawasan Industri Pulogadung
Jalan Rawa Gelam III No. 2
Jakarta 13930
Indonesia

Tel.: +62 (21) 4 60 12 28

Fax: +62 (21) 46 82 68 23

E-Mail: sales@multitehaka.co.id

www.multitehaka.co.id

Cara membuang

Perkakas listrik, aksesori dan kemasan sebaiknya didaur ulang sesuai dengan upaya untuk melindungi lingkungan hidup.

Hanya untuk negara-negara UE:

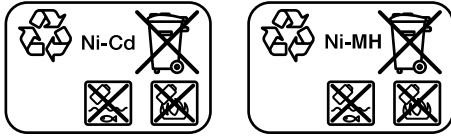


Janganlah membuang perkakas listrik dalam sampah rumah tangga!

Sesuai dengan Peraturan Eropa 2002/96/EG tentang perkakas listrik dan perkakas elektronika

yang tua dan penerapannya dalam hukum nasional mancanegara, perkakas listrik yang tidak bisa digunakan lagi harus dikumpulkan menurut bahannya dan didaur ulang sebagai upaya untuk melindungi lingkungan.

Aki/Baterai:



Ni-Cd: Nikel-Kadmium

Perhatian: Aki-aki ini mengandung kadmium, logam berat yang sangat beracun.

Ni-MH: Nikel-Logamhidrit

Janganlah membuang aki/baterai ke dalam sampah rumah tangga, ke dalam api atau ke dalam air. Aki/baterai sebaiknya dikumpulkan, didaur ulangkan atau dibuang sesuai dengan upaya untuk melindungi lingkungan hidup.

Perubahan adalah hak Bosch.

Cảnh báo tổng quát cách sử dụng an toàn dụng cụ điện cầm tay

⚠ CẢNH BÁO Đọc kỹ mọi cảnh báo an toàn và hướng dẫn. Không tuân thủ mọi cảnh báo và hướng dẫn được liệt kê dưới đây có thể bị điện giật, gây cháy và/hoặc bị thương tật nghiêm trọng.

Hãy giữ tất cả tài liệu về cảnh báo và hướng dẫn để tham khảo về sau.

Thuật ngữ “dụng cụ điện cầm tay” trong phần cảnh báo là đề cập đến sự sử dụng dụng cụ điện cầm tay của bạn, loại sử dụng điện nguồn (có dây cắm điện) hay vận hành bằng pin (không dây cắm điện).

1) Khu vực làm việc an toàn

- Giữ nơi làm việc sạch và đủ ánh sáng.** Nơi làm việc bừa bộn và tối tăm dễ gây ra tai nạn.
- Không vận hành dụng cụ điện cầm tay trong môi trường dễ gây nổ, chẳng hạn như nơi có chất lỏng dễ cháy, khí đốt hay rác.** Dụng cụ điện cầm tay tạo ra các tia lửa nên có thể làm rác bén cháy hay bốc khói.
- Không để trẻ em hay người đến xem đứng gần khi vận hành dụng cụ điện cầm tay.** Sự phân tâm có thể gây ra sự mất điều khiển.

2) An toàn về điện

- Phích cắm của dụng cụ điện cầm tay phải thích hợp với ổ cắm. Không bao giờ được cải biến lại phích cắm dưới mọi hình thức. Không được sử dụng phích tiếp hợp nối tiếp đất (dây mát).** Phích cắm nguyên bản và ổ cắm đúng loại sẽ làm giảm nguy cơ bị điện giật.
- Tránh không để thân thể tiếp xúc với đất hay các vật có bề mặt tiếp đất như đường ống, lò sưởi, hàng rào và tủ lạnh.** Có nhiều nguy cơ bị điện giật hơn nếu cơ thể bạn bị tiếp hay nối đất.
- Không được để dụng cụ điện cầm tay ngoài mưa hay ở tình trạng ẩm ướt.** Nước vào máy sẽ làm tăng nguy cơ bị điện giật.

d) Không được lạm dụng dây dẫn điện. Không bao giờ được nắm dây dẫn để xách, kéo hay rút phích cắm dụng cụ điện cầm tay. Không để dây gần nơi có nhiệt độ cao, dầu nóng, vật nhọn bén hay bộ phận chuyển động. Làm hỏng hay cuộn rối dây dẫn làm tăng nguy cơ bị điện giật.

e) **Khi sử dụng dụng cụ điện cầm tay ngoài trời, dùng dây nối thích hợp cho việc sử dụng ngoài trời.** Sử dụng dây nối thích hợp cho việc sử dụng ngoài trời làm giảm nguy cơ bị điện giật.

f) **Nếu việc sử dụng dụng cụ điện cầm tay ở nơi ẩm ướt là không thể tránh được, dùng thiết bị ngắt mạch tự động (RCD) bảo vệ nguồn.** Sử dụng thiết bị thiết bị ngắt mạch tự động RCD làm giảm nguy cơ bị điện giật.

3) An toàn cá nhân

- Hãy tỉnh táo, biết rõ mình đang làm gì và hãy sử dụng ý thức khi vận hành dụng cụ điện cầm tay. Không sử dụng dụng cụ điện cầm tay khi đang mệt mỏi hay đang bị tác động do chất gây nghiện, rượu hay được phẩm gây ra.** Một thoáng mất tập trung khi đang vận hành dụng cụ điện cầm tay có thể gây thương tích nghiêm trọng cho bản thân.
- Sử dụng trang bị bảo hộ cá nhân. Luôn luôn đeo kính bảo vệ mắt.** Trang bị bảo hộ như khẩu trang, giày chống trượt, nón bảo hộ, hay dụng cụ bảo vệ tai khi được sử dụng đúng nơi đúng chỗ sẽ làm giảm nguy cơ thương tật cho bản thân.
- Phòng tránh máy khởi động bất ngờ. Bảo đảm công tắc máy ở vị trí tắt trước khi cắm vào nguồn điện và/hay lắp pin vào, khi nhắc máy lên hay khi mang xách máy.** Ngáng ngón tay vào công tắc máy để xách hay kích hoạt dụng cụ điện cầm tay khi công tắc ở vị trí mở dễ dẫn đến tai nạn.
- Lấy mọi chìa hay khóa điều chỉnh ra trước khi mở điện dụng cụ điện cầm tay.** Khóa hay chìa còn gắn dính vào bộ phận quay của dụng cụ điện cầm tay có thể gây thương tích cho bản thân.

- e) **Không rướn người. Luôn luôn giữ tư thế đứng thích hợp và thăng bằng.** Điều này tạo cho việc điều khiển dụng cụ điện cầm tay tốt hơn trong mọi tình huống bất ngờ.
- f) **Trang phục thích hợp. Không mặc quần áo rộng lủng thùng hay mang trang sức. Giữ tóc, quần áo và găng tay xa khỏi các bộ phận chuyển động.** Quần áo rộng lủng thùng, đồ trang sức hay tóc dài có thể bị cuốn vào các bộ phận chuyển động.
- g) **Nếu có các thiết bị đi kèm để nối máy hút bụi và các phụ kiện khác, bảo đảm các thiết bị này được nối và sử dụng tốt.** Việc sử dụng các thiết bị gom hút bụi có thể làm giảm các độc hại liên quan đến bụi gây ra.
- 4) **Sử dụng và bảo dưỡng dụng cụ điện cầm tay**
- a) **Không được ép máy. Sử dụng dụng cụ điện cầm tay đúng loại theo đúng ứng dụng của bạn.** Dụng cụ điện cầm tay đúng chức năng sẽ làm việc tốt và an toàn hơn theo đúng tiến độ mà máy được thiết kế.
- b) **Không sử dụng dụng cụ điện cầm tay nếu như công tắc không tắt và mở được.** Bất kỳ dụng cụ điện cầm tay nào mà không thể điều khiển được bằng công tắc là nguy hiểm và phải được sửa chữa.
- c) **Rút phích cắm ra khỏi nguồn điện và/hay pin ra khỏi dụng cụ điện cầm tay trước khi tiến hành bất kỳ điều chỉnh nào, thay phụ kiện, hay cất dụng cụ điện cầm tay.** Các biện pháp ngăn ngừa như vậy làm giảm nguy cơ dụng cụ điện cầm tay khởi động bất ngờ.
- d) **Cất giữ dụng cụ điện cầm tay không dùng tới nơi trẻ em không lấy được và không cho người chưa từng biết dụng cụ điện cầm tay hay các hướng dẫn này sử dụng dụng cụ điện cầm tay.** Dụng cụ điện cầm tay nguy hiểm khi ở trong tay người chưa được chỉ cách sử dụng.
- e) **Bảo quản dụng cụ điện cầm tay. Kiểm tra xem các bộ phận chuyển động có bị sai lệch hay kẹt, các bộ phận bị rạn nứt và các tình trạng khác có thể ảnh hưởng đến sự vận hành của máy. Nếu bị hư hỏng, phải sửa chữa máy trước khi sử dụng.** Nhiều tai nạn xảy ra do bảo quản dụng cụ điện cầm tay tồi.
- f) **Giữ các dụng cụ cất bên và sạch.** Bảo quản đúng cách các dụng cụ cất có cạnh cắt bén làm giảm khả năng bị kẹt và dễ điều khiển hơn.
- g) **Sử dụng dụng cụ điện cầm tay, phụ kiện, đầu cài v. v., đúng theo các chỉ dẫn này, hãy lưu ý đến điều kiện làm việc và công việc phải thực hiện.** Sử dụng dụng cụ điện cầm tay khác với mục đích thiết kế có thể tạo nên tình huống nguy hiểm.
- 5) **Sử dụng và bảo quản dụng cụ dùng pin**
- a) **Chỉ được sạc pin lại với bộ nạp điện do nhà sản xuất chỉ định.** Bộ nạp điện thích hợp cho một loại pin có thể gây nguy cơ cháy khi sử dụng cho một loại pin khác.
- b) **Chỉ sử dụng dụng cụ điện cầm tay với loại pin được thiết kế đặt biệt dành riêng cho máy.** Sử dụng bất cứ loại pin khác có thể dẫn đến thương tật hay cháy.
- c) **Khi không sử dụng pin, để cách xa các vật bằng kim loại như kẹp giấy, tiền xu, chìa khoá, đinh, ốc vít hay các đồ vật kim loại nhỏ khác, thứ có thể tạo sự nối tiếp từ một đầu cực với một đầu cực khác.** Sự chập mạch của các đầu cực với nhau có thể gây bỏng hay cháy.
- d) **Bảo quản ở tình trạng tồi, dung dịch từ pin có thể tứa ra; tránh tiếp xúc. Nếu vô tình chạm phải, hãy xối nước để rửa. Nếu dung dịch vào mắt, cần thêm sự hỗ trợ của y tế.** Dung dịch tiết ra từ pin có thể gây ngứa hay bỏng.
- 6) **Bảo dưỡng**
- a) **Đưa dụng cụ điện cầm tay của bạn đến thợ chuyên môn để bảo dưỡng, chỉ sử dụng phụ tùng đúng chủng loại để thay.** Điều này sẽ đảm bảo sự an toàn của máy được giữ nguyên.

Chỉ dẫn chi tiết để sử dụng máy an toàn

- ▶ **Sử dụng thiết bị dò tìm thích hợp để xác định các đường hay ống dẫn công ích nằm âm trong khu vực làm việc hay liên hệ với cty công trình phúc lợi để nhờ giúp đỡ.** Tiếp xúc với dây điện có thể dẫn đến cháy và bị điện giật. Chạm đường dẫn khí đốt có thể gây nổ. Làm thủng ống dẫn nước có thể làm hư hại tài sản hay có thể gây ra điện giật.
- ▶ **Tắt máy ngay lập tức khi dụng cụ lắp vào máy đột nhiên bị nghẽn chặt. Đề phòng lực vận mạnh có thể được tạo ra do sự giật ngược.**
Dụng cụ lắp vào có thể bị nghẽn chặt khi:
— dụng cụ điện cầm tay bị quá tải hay
— bị chèn chặt trong vật gia công.
- ▶ **Chỉ nắm máy nơi nắm có bề mặt cách điện, khi thực hiện công việc mà dụng cụ cắt có thể phạm vào dây điện âm ở chính nơi thao tác.**
Tiếp xúc với dây “sống” sẽ làm các bộ phận kim loại không được bao bọc của dụng cụ “có điện” và giật người vận hành máy.
- ▶ **Giữ máy bằng cách nắm thật chặt.** Lực vận ngược mạnh có thể xảy ra chớp nhoáng trong lúc bắt vít vào hay vận ra.
- ▶ **Kẹp chặt vật gia công.** Vật gia công được kẹp bằng một thiết bị kẹp hay băng êtô thì vững chắc hơn giữ bằng tay.
- ▶ **Giữ nơi làm việc của bạn gọn gàng.** Vật liệu có cấu tạo hỗn hợp là đặt biệt nguy hiểm. Bụi từ hợp kim nhẹ có thể cháy hay nổ.
- ▶ **Luôn luôn đợi cho máy hoàn toàn ngừng hẳn trước khi đặt xuống.** Dụng cụ lắp vào máy có thể bị kẹp chặt dẫn đến việc dụng cụ điện cầm tay bị mất điều khiển.
- ▶ **Tránh sự vô ý làm mở công tắc. Đảm bảo công tắc Tắt/Mở ở vị trí tắt trước khi lắp pin lốc vào.** Mang xách máy với ngón tay ngáng vào công tắc Tắt/Mở hay lắp pin lốc vào dụng cụ điện mà công tắc máy được mở để dẫn đến tai nạn.
- ▶ **Không được tháo pin ra.** Nguy cơ bị chập mạch.



Bảo vệ pin tránh bị nóng, vd. cũng như tránh bị tia bức xạ mặt trời chiếu liên tục và lửa. Có nguy cơ do sự cố nổ xảy ra.

Mô tả chức năng



Đọc kỹ mọi cảnh báo an toàn và mọi hướng dẫn. Không tuân thủ mọi cảnh báo và hướng dẫn được liệt kê dưới đây có thể bị điện giật, gây cháy và/hay bị thương tật nghiêm trọng.

Trong khi đọc các hướng dẫn sử dụng, mở trang gấp hình ảnh máy và để mở nguyên như vậy.

Dành sử dụng cho

Máy được thiết kế dành cho việc bắt hay tháo vít cũng như khoan gỗ, kim loại, đồ gốm và nhựa mũ.

Biểu trưng của sản phẩm

Sự đánh số các biểu trưng của sản phẩm là để tham khảo hình minh họa của máy trên trang hình ảnh.

- 1 Mâm cặp không dùng chìa
- 2 Khớp vòng ngoài
- 3 Khớp vòng trong
- 4 Vòng xoay chọn trước lực xoắn
- 5 Bộ phận chọn vòng truyền động
- 6 Pin*
- 7 Nút tháo pin
- 8 Đầu vít*
- 9 Gạc vận chuyển đổi chiều quay
- 10 Công tắc Tắt/Mở
- 11 Đầu nối phổ thông*
- 12 Vít an toàn cho mâm cặp không dùng chìa
- 13 Khóa lực giác Allen**

*Các phụ tùng được minh họa hay mô tả không nằm trong tiêu chuẩn hàng hóa được giao kèm.

**Có bán trên thị trường (không nằm trong phạm vi được kèm theo máy khi giao hàng)

Thông số kỹ thuật

Máy bắt vít pin		GSR 9,6-2 Professional	GSR 12-2 Professional	GSR 14,4-2 Professional
Mã số máy		3 601 J18 L..	3 601 J18 J..	3 601 J18 G..
Điện thế danh định	V=	9,6	12	14,4
Tốc độ không tải				
– Vòng truyền lực thứ 1	v/p	0–400	0–400	0–400
– Vòng truyền lực thứ 2	v/p	0–1000	0–1200	0–1400
Lực vận tối đa ứng dụng cho việc bắt vít vào vật liệu cứng/mềm theo ISO 5393	Nm	25/10	27/11	30/15
Đường kính khoan tối đa (vòng truyền lực thứ 1/thứ 2)				
– Thép	mm	10/10	12/12	12/12
– Gỗ	mm	20/13	23/14	26/19
Đường kính vít tối đa	mm	6	7	8
Phạm vi mâm cặp kẹp được	mm	1–10	1–10	1–10
Ren cửa trục khoan		3/8"	3/8"	3/8"
Trọng lượng theo Quy trình EPTA-Procedure 01/2003 (chuẩn EPTA 01/2003)	kg	1,5	1,6	1,7
Xin vui lòng xem kỹ mã số máy trên nhãn máy của bạn. Tên thương mại của từng máy có thể khác nhau.				

Sự lắp vào

Nạp điện pin

Một pin còn mới hay không được sử dụng trong một thời gian dài không phát huy hết năng suất cho đến sau khi pin được nạp/xả điện khoảng 5 chu kỳ.

Để lấy pin ra 6 nhấn nút nhỏ 7 và kéo hết pin xuống.
Không dùng sức.

Pin được trang bị bộ phận kiểm soát nhiệt độ NTC, thiết bị này chỉ cho phép nạp điện trong phạm vi nhiệt độ cho phép ở giữa 0 °C và 45 °C. Tuổi thọ của pin nhờ đó mà được nâng cao.

Sự giảm thời gian hoạt động một cách rõ rệt sau khi nạp điện chỉ cho thấy rằng pin đã được sử dụng và phải được thay.

Tuân thủ các chú thích dành cho việc thải bỏ.

Thay Dụng Cụ (xem hình A)

- Trước khi làm bất cứ công việc gì với máy (vd. bảo dưỡng, thay dụng cụ v. v..) cũng như trong quá trình vận chuyển và cất giữ, chính đặt gác chọn chiều quay về vị trí chính giữa. Sự vô ý kích hoạt công tắc Tắt/Mở có thể dẫn đến thương tích.

Giữ chặt khớp vòng trong 3 của mâm cặp không dùng chìa 1 và vận khớp vòng ngoài 2 theo chiều quay ❶, cho đến khi có thể lắp dụng cụ vào. Lắp dụng cụ vào.

Giữ vòng trong 3 của mâm cặp không dùng chìa 1 thật chặt và dùng tay vận mạnh vòng ngoài 2 theo chiều quay ❷.

Động tác khoá được giải phóng để lấy dụng cụ ra khi khớp vòng ngoài 2 được vận theo chiều ngược lại.

Thay Mâm Cặp Khoan

- ▶ Trước khi làm bất cứ công việc gì với máy (vd. bảo dưỡng, thay dụng cụ v. v..) cũng như trong quá trình vận chuyển và cất giữ, chỉnh đặt gạc chọn chiều quay về vị trí chính giữa. Sự vô ý kích hoạt công tắc Tắt/Mở có thể dẫn đến thương tích.

Tháo Vít An Toàn (xem hình B)

Mâm cặp không dùng chìa 1 được bắt chắc vào bằng vít an toàn 12 để ngăn ngừa không bị tuột ra khỏi trục khoan ngoài chủ ý. Mở bung hết mâm cặp không dùng chìa 1 và tháo vận vít an toàn 12 ra theo chiều quay ❶. **Xin lưu ý rằng vít an toàn có ren nằm bên trái.**

Lấy Mâm Cặp Khoan Ra (xem hình C)

Kẹp giữ phần đầu ngắn của khóa sáu cạnh Allen 13 vào trong mâm cặp không dùng chìa 1.

Đặt máy lên trên một bề mặt vững chắc (vd., bàn thợ). Giữ chặt máy và tháo lỏng mâm cặp không dùng chìa 1 bằng cách vận khóa lục giác 13 theo chiều quay ❶. Làm bong mâm cặp không dùng chìa còn dính chặt bằng cách đập nhẹ lên phần chuôi dài của khóa lục giác 13. Lấy khóa lục giác ra khỏi mâm cặp không dùng chìa và tháo hẳn mâm cặp không dùng chìa ra.

Gắn Mâm Cặp Khoan vào (xem hình D)

Gắn mâm cặp dùng chìa theo thứ tự ngược lại.

Ghi Chú: Sau khi lắp mâm cặp không dùng chìa vào, vận vít dùng ráp chặt 12 vào lại như cũ.



Mâm cặp khoan phải được siết chặt với lực vận vào khoảng 35–40 Nm.

Hút Dăm/Bụi

- ▶ Mạt bụi từ các vật liệu được sơn phủ ngoài có chứa chì trên một số loại gỗ, khoáng vật và kim loại có thể gây nguy hại đến sức khỏe con người. Dụng cụ chạm hay hít thở các bụi này có thể làm người sử dụng hay đứng gần bị dị ứng và/hoặc gây nhiễm trùng hệ hô hấp. Một số mạt bụi cụ thể, ví dụ như bụi gỗ sồi hay đậu, được xem là chất gây ung thư, đặc biệt là có liên quan đến các chất phụ gia dùng xử lý gỗ (chất

cromat, chất bảo quản gỗ). Có thể chỉ nên để thợ chuyên môn gia công các loại vật liệu có chứa amiăng.

- Hãy sử dụng máy hút bụi ở bất cứ nơi nào có thể.
- Tạo không khí thông thoáng nơi làm việc.
- Khuyến nghị nên mang mặt nạ phòng độc có bộ lọc cấp P2.

Tuân thủ các quy định của quốc gia bạn liên quan đến loại vật liệu gia công.

Vận Hành

Bắt Đầu Vận Hành

Lắp Pin Vào

- ▶ Chỉ sử dụng pin ắc quy O chính hãng Bosch với điện thế ghi trên nhãn loại máy trên máy của bạn. Sử dụng các loại pin khác có thể dẫn đến nguy cơ thương tật hay cháy nổ.

Chính đặt gạc chỉ chiều quay 9 về vị trí chính giữa để tránh sự vô ý làm máy khởi động. Lắp pin đã nạp điện vào 6 bên trong tay nắm sao cho cắm nhận được sự gài vào khớp và nằm gọn phẳng trong tay nắm.

Đảo Chiều Quay (xem hình E)

Gạc chuyển đổi chiều quay 9 được sử dụng để đảo lại chiều quay của máy. Tuy nhiên, việc này không thể thực hiện được cùng lúc với công tắc Tắt/Mở 10 đang hoạt động.

Chiều Quay Phải: Để khoan hay bắt vít vào, đẩy gạc chuyển đổi chiều quay 9 về hết bên phải.

Chiều Quay Trái: Để rời lỏng hay tháo vít, đẩy gạc chỉ chiều quay 9 hết về phải.

Chỉnh đặc lực xoắn

Lực vận theo yêu cầu có thể chọn trước bằng 25 mức độ bằng vòng chọn trước lực vận 4. Với việc chỉnh đặt đúng, dụng cụ lắp trong máy ngừng ngay sau khi vít được bắt vào bằng với bề mặt vật liệu hay khi lực vận chỉnh đặt đã đạt được.

Chọn sự chỉnh đặt cao hơn khi tháo vận vít, hay chỉnh đặt về biểu tượng “Khoan thường”.

Sự chọn lực Truyền động, Cơ học

- ▶ **Khởi hoạt bộ phận chọn lực truyền động 5 chỉ khi máy đã dừng hẳn.**

Có thể chọn trước hai tầm tốc độ bằng bộ phận chọn lực truyền động 5.

Vòng truyền lực I:

Tầm tốc độ thấp; dành để bắt vít hay thao tác với đường kính khoan lớn.

Vòng truyền động II:

Tốc độ ở tầm cao; để thao tác với đường kính khoan nhỏ.

Nếu bộ phận chọn vòng truyền lực 5 không thể nhấn xuống hết được, vận nhẹ mâm cặp với khoan.

Bật Mở và Tắt

Để khởi **động máy**, nhấn công tắc **Tắt/Mở 10** và nhấn giữ xuống.

Đề tắt máy, **nhả** công tắc **Tắt/Mở ra 10**.

Điều chỉnh tốc độ

Tốc độ của dụng cụ điện cầm tay đang hoạt động có thể điều chỉnh thay đổi, tùy theo độ nông sâu của công tắc **Tắt/Mở 10** được bóp vào.

Lực nhấn nhẹ lên công tắc **Tắt/Mở 10** tạo ra tốc độ quay thấp. Tăng lực nhấn lên công tắc làm tăng tốc độ quay.

Hãm Trơn Quay

Khi công tắc **Tắt/Mở 10** được nhả ra, mâm cặp hãm cho ngừng lại, cách này ngăn không để dụng cụ tiếp tục quay.

Khi bắt vít vào, chờ cho đến khi vít được bắt vào bằng mặt với vật liệu và sau đó nhả công tắc **Tắt/Mở 10** ra. Bằng cách thức như thế, đầu vít không ăn thâm vào vật liệu.

Hướng Dẫn Sử Dụng

- ▶ **Chỉ được đặt dụng cụ điện cầm tay vào vít khi đã tắt máy.** Dụng cụ đang quay có thể bị tuột ra.

Mách nước

Sau thời gian dài vận hành máy liên tục ở tốc độ thấp, để làm máy nguội xuống, cho máy chạy không tải với tốc độ tối đa trong khoảng 3 phút.

Để khoan kim loại, chỉ nên dùng mũi khoan thép gió HSS thật sắc bén (HSS = thép tốc độ cao). Chất lượng đáp ứng chuẩn được đảm bảo trong chương trình phụ kiện của Bosch.

Trước khi bắt một vít lớn, dài hơn bình thường vào vật liệu cứng, nên khoan trước một lỗ mồi có cùng đường kính răng vít vào sâu vào khoảng $\frac{2}{3}$ của chiều dài vít.

Bảo Dưỡng và Bảo Quản

Bảo Dưỡng Và Làm Sạch

- ▶ **Trước khi làm bất cứ công việc gì với máy (vd. bảo dưỡng, thay dụng cụ v. v..) cũng như trong quá trình vận chuyển và cất giữ, chính đặt gác chọn chiều quay về vị trí chính giữa.** Sự vô ý kích hoạt công tắc **Tắt/Mở** có thể dẫn đến thương tích.
- ▶ **Đề được an toàn và máy hoạt động đúng chức năng, luôn luôn giữ máy và các khe thông gió được sạch.**

Nếu giả như máy bị trục trặc dù đã được theo dõi cẩn thận trong quá trình sản xuất và đã qua chạy kiểm tra, sự sửa chữa phải do trung tâm bảo hành-bảo trì dụng cụ điện cầm tay Bosch thực hiện.

Trong mọi thư từ giao dịch và đơn đặt hàng phụ tùng, xin vui lòng luôn viết đủ 10 con số đã được ghi trên nhãn máy.

Dịch vụ hỗ trợ khách hàng và bảo hành-bảo trì

Bộ phận phục vụ hàng sau khi bán của chúng tôi trả lời các câu hỏi liên quan đến việc bảo dưỡng và sửa chữa các sản phẩm cũng như phụ tùng thay thế của bạn. Sơ đồ mô tả và thông tin về phụ tùng thay thế cũng có thể tra cứu theo dưới đây:

www.bosch-pt.com

Các nhân viên tư vấn khách hàng của chúng tôi trả lời các câu hỏi của bạn liên quan đến việc mua sản phẩm nào là tốt nhất, cách ứng dụng và điều chỉnh sản phẩm và các phụ kiện.

Việt Nam

Trung Tâm Thương Mại Sài Gòn

37 Tôn Đức Thắng

P. Bến Nghé

Q.1

Tp. Hcm

Việt Nam

Tel.: +84 (8) 9 11 13 74 – 9 11 13 75

Fax: +84 (8) 9 11 13 76

Thải bỏ

Máy, linh kiện và bao bì phải được phân loại để tái chế theo hướng thân thiện với môi trường.

Chỉ dành cho các nước EC:

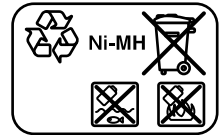
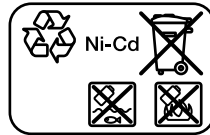


Không được vứt bỏ dụng cụ điện cầm tay vào chung với rác sinh hoạt!

Căn cứ theo quy định của European Guideline 2002/96/EC đối với rác thải điện và rác thiết bị điện tử và sự thực

thi quyền lợi quốc gia, các dụng cụ điện cầm tay không còn được sử dụng nữa phải được thu gom riêng biệt và thải bỏ phù hợp với môi trường sinh thái.

Pin lỏng/pin:



Ni-Cd: Nickel cadmium

Cảnh báo: Các pin lỏng chứa chất cadmium, một chất có độc tính cao của kim loại nặng.

Ni-MH: Nickel metal hydride

Không được vứt bỏ pin lỏng/pin vào chung với rác sinh hoạt, lửa hay nước. Các pin lỏng/pin phải được thu gom lại, tái chế hay thải bỏ theo hướng thân thiện với môi trường.

Được quyền thay đổi nội dung mà không phải thông báo trước.

Avertissements de sécurité généraux pour l'outil

⚠ AVERTISSEMENT

Lire tous les avertissements de sécurité et toutes les instructions.

Ne pas suivre les avertissements et instructions peut donner lieu à un choc électrique, un incendie et/ou une blessure sérieuse.

Conserver tous les avertissements et toutes les instructions pour pouvoir s'y reporter ultérieurement.

Le terme « outil » dans les avertissements fait référence à votre outil électrique alimenté par le secteur (avec cordon d'alimentation) ou votre outil fonctionnant sur batterie (sans cordon d'alimentation).

1) Sécurité de la zone de travail

- a) **Conserver la zone de travail propre et bien éclairée.** Les zones en désordre ou sombres sont propices aux accidents.
- b) **Ne pas faire fonctionner les outils électriques en atmosphère explosive, par exemple en présence de liquides inflammables, de gaz ou de poussières.** Les outils électriques produisent des étincelles qui peuvent enflammer les poussières ou les fumées.
- c) **Maintenir les enfants et les personnes présentes à l'écart pendant l'utilisation de l'outil.** Les distractions peuvent vous faire perdre le contrôle de l'outil.

2) Sécurité électrique

- a) **Il faut que les fiches de l'outil électrique soient adaptées au socle. Ne jamais modifier la fiche de quelque façon que ce soit. Ne pas utiliser d'adaptateurs avec des outils à branchement de terre.** Des fiches non modifiées et des socles adaptés réduiront le risque de choc électrique.
- b) **Eviter tout contact du corps avec des surfaces reliées à la terre telles que les tuyaux, les radiateurs, les cuisinières et les réfrigérateurs.** Il existe un risque accru de choc électrique si votre corps est relié à la terre.

- c) **Ne pas exposer les outils à la pluie ou à des conditions humides.** La pénétration d'eau à l'intérieur d'un outil augmentera le risque de choc électrique.
- d) **Ne pas maltraiter le cordon. Ne jamais utiliser le cordon pour porter, tirer ou débrancher l'outil. Maintenir le cordon à l'écart de la chaleur, du lubrifiant, des arêtes ou des parties en mouvement.** Les cordons endommagés ou emmêlés augmentent le risque de choc électrique.
- e) **Lorsqu'on utilise un outil à l'extérieur, utiliser un prolongateur adapté à l'utilisation extérieure.** L'utilisation d'un cordon adapté à l'utilisation extérieure réduit le risque de choc électrique.
- f) **Si l'usage d'un outil dans un emplacement humide est inévitable, utiliser une alimentation protégée par un dispositif à courant différentiel résiduel (RCD).** L'usage d'un RCD réduit le risque de choc électrique.

3) Sécurité des personnes

- a) **Rester vigilant, regarder ce que vous êtes en train de faire et faire preuve de bon sens dans votre utilisation de l'outil. Ne pas utiliser un outil lorsque vous êtes fatigué ou sous l'emprise de drogues, d'alcool ou de médicaments.** Un moment d'inattention en cours d'utilisation d'un outil peut entraîner des blessures graves des personnes.
- b) **Utiliser un équipement de sécurité. Toujours porter une protection pour les yeux.** Les équipements de sécurité tels que les masques contre les poussières, les chaussures de sécurité antidérapantes, les casques ou les protections acoustiques utilisés pour les conditions appropriées réduiront les blessures de personnes.

- c) **Eviter tout démarrage intempestif. S'assurer que l'interrupteur est en position arrêt avant de brancher l'outil au secteur et/ou au bloc de batteries, de le ramasser ou de le porter.** Porter les outils en ayant le doigt sur l'interrupteur ou brancher des outils dont l'interrupteur est en position marche est source d'accidents.
 - d) **Retirer toute clé de réglage avant de mettre l'outil en marche.** Une clé laissée fixée sur une partie tournante de l'outil peut donner lieu à des blessures de personnes.
 - e) **Ne pas se précipiter. Garder une position et un équilibre adaptés à tout moment.** Cela permet un meilleur contrôle de l'outil dans des situations inattendues.
 - f) **S'habiller de manière adaptée. Ne pas porter de vêtements amples ou de bijoux. Garder les cheveux, les vêtements et les gants à distance des parties en mouvement.** Des vêtements amples, des bijoux ou les cheveux longs peuvent être pris dans des parties en mouvement.
 - g) **Si des dispositifs sont fournis pour le raccordement d'équipements pour l'extraction et la récupération des poussières, s'assurer qu'ils sont connectés et correctement utilisés.** Utiliser des collecteurs de poussière peut réduire les risques dus aux poussières.
- 4) Utilisation et entretien de l'outil**
- a) **Ne pas forcer l'outil. Utiliser l'outil adapté à votre application.** L'outil adapté réalisera mieux le travail et de manière plus sûre au régime pour lequel il a été construit.
 - b) **Ne pas utiliser l'outil si l'interrupteur ne permet pas de passer de l'état de marche à arrêt et vice versa.** Tout outil qui ne peut pas être commandé par l'interrupteur est dangereux et il faut le réparer.
 - c) **Débrancher la fiche de la source d'alimentation en courant et/ou le bloc de batteries de l'outil avant tout réglage, changement d'accessoires ou avant de ranger l'outil.** De telles mesures de sécurité préventives réduisent le risque de démarrage accidentel de l'outil.
 - d) **Conserver les outils à l'arrêt hors de la portée des enfants et ne pas permettre à des personnes ne connaissant pas l'outil ou les présentes instructions de le faire fonctionner.** Les outils sont dangereux entre les mains d'utilisateurs novices.
 - e) **Observer la maintenance de l'outil. Vérifier qu'il n'y a pas de mauvais alignement ou de blocage des parties mobiles, des pièces cassées ou toute autre condition pouvant affecter le fonctionnement de l'outil. En cas de dommages, faire réparer l'outil avant de l'utiliser.** De nombreux accidents sont dus à des outils mal entretenus.
 - f) **Garder affûtés et propres les outils permettant de couper.** Des outils destinés à couper correctement entretenus avec des pièces coupantes tranchantes sont moins susceptibles de bloquer et sont plus faciles à contrôler.
 - g) **Utiliser l'outil, les accessoires et les lames etc., conformément à ces instructions, en tenant compte des conditions de travail et du travail à réaliser.** L'utilisation de l'outil pour des opérations différentes de celles prévues pourrait donner lieu à des situations dangereuses.
- 5) Utilisation des outils fonctionnant sur batteries et précautions d'emploi**
- a) **Ne recharger qu'avec le chargeur spécifié par le fabricant.** Un chargeur qui est adapté à un type de bloc de batteries peut créer un risque de feu lorsqu'il est utilisé avec un autre type de bloc de batteries.
 - b) **N'utiliser les outils qu'avec des blocs de batteries spécifiquement désignés.** L'utilisation de tout autre bloc de batteries peut créer un risque de blessure et de feu.
 - c) **Lorsqu'un bloc de batteries n'est pas utilisé, le maintenir à l'écart de tout autre objet métallique, par exemple trombones, pièces de monnaie, clés, clous, vis ou autres objets de petite taille qui peuvent donner lieu à une connexion d'une borne à une autre.** Le court-circuitage des bornes d'une batterie entre elles peut causer des brûlures ou un feu.

- d) **Dans de mauvaises conditions, du liquide peut être éjecté de la batterie; éviter tout contact. En cas de contact accidentel, nettoyer à l'eau. Si le liquide entre en contact avec les yeux, rechercher en plus une aide médicale.** Le liquide éjecté des batteries peut causer des irritations ou des brûlures.
- 6) **Maintenance et entretien**
- a) **Faire entretenir l'outil par un réparateur qualifié utilisant uniquement des pièces de rechange identiques.** Cela assurera que la sécurité de l'outil est maintenue.

Instructions de sécurité spécifiques à l'appareil

- ▶ **Utiliser des détecteurs appropriés afin de déceler des conduites cachées ou consulter les entreprises d'approvisionnement locales.** Un contact avec des conduites d'électricité peut provoquer un incendie ou un choc électrique. Un endommagement d'une conduite de gaz peut provoquer une explosion. La perforation d'une conduite d'eau provoque des dégâts matériels.
 - ▶ **Arrêtez immédiatement l'appareil électrique lorsque l'outil coince. Attendez-vous à des couples de réaction importants causant un contrecoup.** L'outil se bloque lorsque :
 - l'appareil électrique est surchargé ou
 - lorsqu'il coince dans la pièce à travailler.
 - ▶ **Maintenez l'outil par les surfaces de prise isolantes, si l'outil coupant, en marche, peut être en contact avec des conducteurs cachés.** Le contact avec un fil « sous tension » mettra également « sous tension » des parties métalliques de l'appareil, provoquant ainsi une décharge électrique.
 - ▶ **Bien tenir l'appareil électroportatif.** Lors du vissage ou du dévissage, il peut y avoir des couples de réaction instantanés élevés.
 - ▶ **Bloquer la pièce à travailler.** Une pièce à travailler serrée par des dispositifs de serrage ou dans un étai est fixée de manière plus sûre que tenue dans les mains.
- ▶ **Tenir propre la place de travail.** Les mélanges de matériaux sont particulièrement dangereux. Les poussières de métaux légers peuvent être explosives ou inflammables.
 - ▶ **Avant de déposer l'outil électroportatif, attendre que celui-ci soit complètement à l'arrêt.** L'outil risque de se coincer, ce qui entraîne une perte de contrôle de l'outil électroportatif.
 - ▶ **Éviter une mise en marche par mégarde. S'assurer que l'interrupteur Marche/Arrêt est effectivement en position d'arrêt avant de monter un accu.** Le fait de porter l'outil électroportatif en laissant le doigt sur l'interrupteur Marche/Arrêt ou de mettre en place l'accu dans l'outil électroportatif lorsque celui-ci est en marche peut entraîner des accidents.
 - ▶ **Ne pas ouvrir l'accu.** Risque de court-circuit.



Protéger l'accu de toute source de chaleur, comme p. ex. l'exposition directe au soleil et au feu. Il y a risque d'explosion.

Description du fonctionnement



Lire tous les avertissements et indications. Le non-respect des avertissements et instructions indiqués ci-après peut entraîner un choc électrique, un incendie et/ou de graves blessures sur les personnes.

Déplier le volet sur lequel l'appareil est représenté de manière graphique. Laisser le volet déplié pendant la lecture de la présente notice d'utilisation.

Utilisation conforme

L'outil électroportatif est conçu pour le vissage et le dévissage des vis ainsi que pour le perçage dans le bois, le métal, le céramique et les matières plastiques.

Éléments de l'appareil

La numérotation des éléments de l'appareil se réfère à la représentation de l'outil électroportatif sur la page graphique.

- 1 Mandrin automatique
- 2 Douille avant
- 3 Douille arrière
- 4 Bague de réglage de présélection du couple
- 5 Commutateur de vitesse
- 6 Accu*

- 7 Touche de déverrouillage de l'accumulateur
- 8 Embout*
- 9 Commutateur du sens de rotation
- 10 Interrupteur Marche/Arrêt
- 11 Porte-embout universel*
- 12 Vis de blocage pour mandrin à serrage rapide
- 13 Clé pour vis à six pans creux**

* Les accessoires décrits ou montrés ne sont pas compris dans l'emballage standard.

** disponible dans le commerce (non fourni avec l'appareil)

Caractéristiques techniques

Perceuse-visseuse sans fil		GSR 9,6-2 Professional	GSR 12-2 Professional	GSR 14,4-2 Professional
N° d'article		3 601 J18 L..	3 601 J18 J..	3 601 J18 G..
Tension nominale	V=	9,6	12	14,4
Vitesse de rotation en marche à vide				
– 1 ^{ière} vitesse	tr/min	0–400	0–400	0–400
– 2 ^{ème} vitesse	tr/min	0–1000	0–1200	0–1400
Couple max. vissage dur/tendre suivant ISO 5393	Nm	25/10	27/11	30/15
Ø perçage max. (1 ^{ière} /2 ^{ème} vitesse)				
– Acier	mm	10/10	12/12	12/12
– Bois	mm	20/13	23/14	26/19
Ø max. de vis	mm	6	7	8
Plage de serrage du mandrin	mm	1–10	1–10	1–10
Filet broche de perçage		3/8"	3/8"	3/8"
Poids suivant EPTA-Procédure 01/2003	kg	1,5	1,6	1,7

Respectez impérativement le numéro d'article se trouvant sur la plaque signalétique de l'outil électroportatif. Les désignations commerciales des différents outils électroportatifs peuvent varier.

Montage

Charger l'accu

Un accu neuf ou un accu qui n'a pas été utilisé pour une période assez longue n'atteint sa pleine puissance qu'après environ cinq cycles de charge et de décharge.

Pour sortir l'accu **6** appuyer sur les touches de déverrouillage **7** et enlever l'accu de l'outil électroportatif en tirant vers le bas. **Ne pas appliquer de la force.**

L'accu est équipé d'une surveillance NTC de température qui ne permet de charger l'accu que dans la plage de température entre 0 °C et 45 °C. La durée de vie de l'accu s'en trouve augmentée.

Si le temps de service de l'accu se raccourcit considérablement après les recharges effectuées, cela signifie que l'accu est usagé et qu'il doit être remplacé.

Respectez les indications concernant l'élimination.

Changement de l'outil (voir figure A)

► **Avant d'effectuer des travaux sur l'appareil (p. ex. travaux d'entretien, changement d'outils, etc.) et avant de le transporter ou stocker, toujours mettre le commutateur de sens de rotation en position médiane.** Il y a risque de blessure lorsqu'on appuie par mégarde sur l'interrupteur Marche/Arrêt.

Tenir la douille arrière **3** du mandrin automatique **1** et ouvrir la douille avant **2** dans le sens de rotation **1** jusqu'à ce que l'outil puisse être monté. Mettre en place l'outil.

Tenir la douille arrière **3** du mandrin automatique **1** et manuellement tourner à fond la douille avant **2** dans le sens de rotation **2**.

Le verrouillage peut être desserré lorsqu'on tourne la douille avant **2** en sens inverse afin d'enlever l'outil.

Changement du mandrin de perçage

► **Avant d'effectuer des travaux sur l'appareil (p. ex. travaux d'entretien, changement d'outils, etc.) et avant de le transporter ou stocker, toujours mettre le commutateur de sens de rotation en position médiane.** Il y a risque de blessure lorsqu'on appuie par mégarde sur l'interrupteur Marche/Arrêt.

Enlever la vis de sécurité (voir figure B)

Le mandrin automatique **1** est fixé à l'aide d'une vis de blocage **12** afin de ne pas se détacher par mégarde de la broche de perçage. Ouvrir complètement le mandrin à serrage rapide **1** et dévisser la vis de blocage **12** dans le sens de rotation **1**. **Tenir compte du fait que la vis de blocage dispose d'un filet à gauche.**

Démontage du mandrin de perçage (voir figure C)

Serrer le bout court d'une clé mâle pour vis à six pans creux **13** dans le mandrin automatique **1**.

Poser l'outil électroportatif sur un support stable, p.ex. un établi. Maintenir l'outil électroportatif **1** et desserrer le mandrin automatique en tournant la clé pour vis à six pans creux **13** dans le sens de rotation **1**. Au cas où le mandrin automatique serait coincé, il suffit de donner un coup léger sur le bout long de la clé pour vis à six pans creux **13** afin de le desserrer. Enlever la clé pour vis à six pans creux du mandrin automatique et desserrer complètement le mandrin automatique.

Montage du mandrin de perçage (voir figure D)

Le montage du mandrin automatique s'effectue dans l'ordre inverse.

Note : Après le montage du mandrin automatique, resserrer la vis de blocage **12**.



Le mandrin de perçage doit être serré avec un couple de serrage de 35–40 Nm environ.

Aspiration de poussières/de copeaux

- ▶ Les poussières de matériaux tels que peintures contenant du plomb, certains bois, minéraux ou métaux, peuvent être nuisibles à la santé. Toucher ou aspirer les poussières peut entraîner des réactions allergiques et/ou des maladies respiratoires auprès de l'utilisateur ou de personnes se trouvant à proximité. Certaines poussières telles que les poussières de chêne ou de hêtre sont considérées cancérigènes, surtout en connexion avec des additifs pour le traitement de bois (chromate, lazure). Les matériaux contenant de l'amiante ne doivent être travaillés que par des personnes qualifiées.
 - Si possible, utilisez une aspiration des poussières.
 - Veillez à bien aérer la zone de travail.
 - Il est recommandé de porter un masque respiratoire de la classe de filtre P2.

Respectez les règlements en vigueur dans votre pays spécifiques aux matériaux à traiter.

Mise en marche

Mise en service

Monter l'accu

- ▶ **N'utilisez que des accus O packs d'origine Bosch qui ont la tension indiquée sur la plaque signalétique de l'outil électroportatif.** L'utilisation de tout autre accumulateur peut entraîner des blessures et des risques d'incendie.

Mettez le commutateur de sens de rotation **9** en position médiane pour éviter une mise en marche non-intentionnée de l'appareil. Montez l'accu chargé **6** dans la poignée jusqu'à ce qu'il s'encliquette de façon perceptible et correcte.

Régler le sens de rotation (voir figure E)

Avec le commutateur de sens de rotation **9** le sens de rotation de l'outil électroportatif peut être inversé. Ceci n'est cependant pas possible, quand l'interrupteur Marche/Arrêt **10** est appuyé.

Rotation à droite : Pour percer et visser, tourner le commutateur du sens de rotation **9** à fond vers la gauche.

Rotation à gauche : Pour desserrer ou dévisser des vis, tourner le commutateur du sens de rotation **9** à fond vers la droite.

Présélection du couple

A l'aide de la bague de réglage de présélection du couple **4**, il est possible de présélectionner le couple nécessaire par 25 étapes. Lorsque le réglage du couple est correct, l'outil de travail est arrêté dès que la vis est juste au même niveau que la surface du matériau et que le couple réglé est atteint.

Pour dévisser les vis, éventuellement choisir un réglage plus élevé ou régler sur le symbole « Perçage ».

Sélection mécanique de la vitesse

- ▶ **N'actionner le commutateur de vitesse 5 qu'à l'arrêt total de l'appareil électroportatif.**

A l'aide du commutateur de vitesse **5**, il est possible de présélectionner deux plages de vitesse de rotation.

Vitesse I :

Faible plage de vitesse de rotation ; pour le vissage ou pour travailler avec des diamètres de perçage importants.

Vitesse II :

Plage de vitesse de rotation élevée ; pour petits diamètres de perçage.

Au cas où le commutateur de vitesse **5** ne se laisserait pas pousser à fond, tourner légèrement le mandrin de perçage avec le foret.

Mise en Marche/Arrêt

Pour **mettre** l'outil électroportatif en marche, appuyer sur l'interrupteur Marche/Arrêt **10** et le maintenir vous appuyez.

Pour arrêter l'outil **électroportatif** vous relâchez l'interrupteur Marche/Arrêt **10**.

Réglage de la vitesse de rotation

Il est possible de régler sans à-coups la vitesse de rotation de l'outil électroportatif en opération suivant la façon dont on appuie sur l'interrupteur Marche/Arrêt **10**.

Une pression légère sur l'interrupteur Marche/Arrêt **10** entraîne une faible vitesse de rotation. Plus la pression augmente, plus la vitesse de rotation est élevée.

Frein de ralentissement

Dès qu'on lâche l'interrupteur Marche/Arrêt **10**, le mandrin de perçage est freiné afin d'empêcher le ralentissement par inertie de l'outil de travail.

Lors du serrage de vis, ne relâchez l'interrupteur Marche/Arrêt **10** que lorsque la vis ne déborde plus la pièce à travailler. La tête de la vis ne sera pas enfoncée dans la pièce à travailler.

Instructions d'utilisation

► **Poser l'outil électroportatif sur la vis seulement lorsque l'appareil est éteint.** Les outils de travail en rotation peuvent glisser.

Conseils

Après avoir travaillé à une petite vitesse de rotation pendant une période relativement longue, faire travailler l'outil électroportatif à vide à la vitesse de rotation maximale pendant une durée de 3 minutes environ afin de le laisser refroidir.

Pour percer dans le métal, n'utiliser que des forets HSS aiguisés et en parfait état (HSS = aciers super rapides). La gamme d'accessoires Bosch vous assure la qualité nécessaire.

Avant de visser des vis d'un certain diamètre et d'une certaine longueur dans des matériaux durs, il est recommandé d'effectuer un préperçage à l'aide du diamètre de l'âme du filet d'environ $\frac{2}{3}$ de la longueur de vis.

Entretien et service après-vente

Nettoyage et entretien

- **Avant d'effectuer des travaux sur l'appareil (p. ex. travaux d'entretien, changement d'outils, etc.) et avant de le transporter ou stocker, toujours mettre le commutateur de sens de rotation en position médiane.** Il y a risque de blessure lorsqu'on appuie par mégarde sur l'interrupteur Marche/Arrêt.
- **Tenez toujours propres l'outil électroportatif ainsi que les ouïes de ventilation afin d'obtenir un travail impeccable et sûr.**

Si, malgré tous les soins apportés à la fabrication et au contrôle de l'appareil, celui-ci devait avoir un défaut, la réparation ne doit être confiée qu'à une station de service après-vente agréée pour outillage Bosch.

Pour toute demande de renseignement ou commande de pièces de rechange, précisez-nous impérativement le numéro d'article à dix chiffres de l'outil électroportatif indiqué sur la plaque signalétique.

Service après-vente et assistance des clients

Notre service après-vente répond à vos questions concernant la réparation et l'entretien de votre produit et les pièces de rechange. Vous trouverez des vues éclatées ainsi que des informations concernant les pièces de rechange également sous : **www.bosch-pt.com**

Les conseillers techniques Bosch sont à votre disposition pour répondre à vos questions concernant l'achat, l'utilisation et le réglage de vos produits et leurs accessoires.

Pour avoir des renseignements concernant la garantie, les travaux d'entretien ou de réparation ou les pièces de rechange, veuillez contacter votre détaillant spécialisé.

Élimination des déchets

Les outils électroportatifs, ainsi que leurs accessoires et emballages, doivent pouvoir suivre chacun une voie de recyclage appropriée.

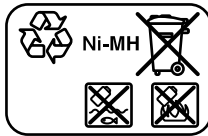
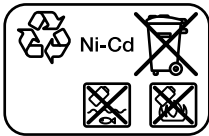
Seulement pour les pays de l'Union Européenne :



Ne jetez pas votre appareil électroportatif avec les ordures ménagères !

Conformément à la directive européenne 2002/96/CE relative aux déchets d'équipements électriques et électroniques et sa réalisation dans les lois nationales, les outils électroportatifs dont on ne peut plus se servir doivent être séparés et suivre une voie de recyclage appropriée.

Accus/piles :



Ni-Cd : Nickel-Cadmium

Attention : Ces accus contiennent du cadmium, un métal lourd hautement toxique.

Ni-MH : Nickel Métal Hydride

Ne pas jeter les accu/piles dans les ordures ménagères, ni dans les flammes ou l'eau. Les accu/piles doivent être collectés, recyclés ou éliminés en conformité avec les réglementations se rapportant à l'environnement.

Sous réserve de modifications.

التخلص من العدة الكهربائية

ينبغي التخلص من العدد الكهربائية والتوابع والغلاف بطريقة منصفة للبيئة عن طريق النفايات القابلة لإعادة التصنيع.

لدول الجماعة الأوروبية فقط:

لا ترم العدد الكهربائية في القمامة المنزلية! فحسب التوجيه الأوروبي 2002/96/EG بصدد الأجهزة الكهربائية والالكترونية القديمة وتطبيقه ضمن القانون المحلي، ينبغي جمع وفصل العدد الكهربائية التي لم تعد صالحة للاستعمال والتخلص منها لمركز يقوم بإعادة استعمالها بطريقة منصفة بالبيئة.



خدمة ومشورة الزبائن

يجيب مركز خدمة الزبائن على الأسئلة المطروحة بصدد تصليح وصيانة المنتج وأيضاً بما يخص قطع الغيار. ستجد الرسوم الممددة والمعلومات عن قطع الغيار بموقع:

www.bosch-pt.com

سيساعدك فريق استشاري زبائن بوش بالإجابة على الأسئلة المطروحة بصدد شراء، استخدام، وضبط المنتجات وتوابعها. يرجى التوجه إلى التاجر المختص بما يتعلّق بأمور الضمان والتصليح وتأمين قطع الغيار.

المراكم/البطاريات:



Ni-Cd: النيكل كادميوم

انتبه: تحتوي هذه المراكم على النيكل كادميوم، وهو معدن ثقيل شديد السمية.

Ni-MH: نيكل هيدريد معدني

لا ترم المراكم/البطاريات في القمامة المنزلية، في النار أو في الماء. ينبغي جمع المراكم/البطاريات لإعادة تصنيعها أو التخلص منها بطريقة منصفة بالبيئة.

نحتفظ بحق إدخال التعديلات.

التشغيل

بدئ التشغيل

تركيب المرمك

◀ استخدم فقط طقوم مراكم بوش الأصلية **0** بالجهد المذكور على لائحة طراز عدتك الكهربائية. إن استخدام غيرها من المراكم قد يؤدي إلى الإصابات وإلى خطر نشوب الحرائق.

اضبط مفتاح تحويل اتجاه الدوران **9** على الوضع المتوسط لمنع التشغيل الغير مقصود. ادفع المرمك **6** المشحون إلى داخل المقبض إلى أن تشعر بتعاشقه بوضوح وإلى حد ارتكازه على المقبض بتساطح.

ضبط اتجاه الدوران (تراجع الصورة E)

يمكنك بواسطة مفتاح تحويل اتجاه الدوران **9** أن تقوم بتغيير اتجاه دوران العدة الكهربائية. ولكن لا يمكن تنفيذ ذلك عندما يكون مفتاح التشغيل والإطفاء **10** قيد التشغيل.

دوران يميني: لإجراء أعمال التثبيت وربط اللولب يضغظ مفتاح تحويل اتجاه الدوران **9** إلى اليسار إلى حد التصادم.

دوران يساري: لـحلّ أو فك اللولب يضغظ مفتاح تحويل اتجاه الدوران **9** إلى اليمين إلى حد التصادم.

ضبط عزم الدوران مسبقاً

يمكنك بواسطة حلقة ضبط اختيار عزم الدوران مسبقاً **4** أن تختار عزم الدوران المطلوب مسبقاً ضمن 25 درجة. إن كان الضبط صحيح، فيتم إيقاف عدة الشغل عندما يكون قد تمّ ربط اللولب في مادة الشغل بتساطح أو عند التوصل إلى عزم الدوران الذي سبق وتمّ ضبطه. ربما تختار ضبط أعلى عند فك اللولب أو اضبطه على الرمز "القب".

اختيار ترس السرعة ميكانيكياً

◀ اضبط مفتاح اختيار ترس السرعة **5** فقط عندما تكون العدة الكهربائية متوقفة عن الحركة.

يمكنك بواسطة مفتاح اختيار ترس السرعة **5** أن تختار مجالين اثنين لعدد الدوران مسبقاً.

ترس السرعة I:

مجال عدد دوران منخفض، لربط اللولب أو للشغل بقطر تثقيب كبير.

ترس السرعة II:

مجال عدد دوران مرتفع، للشغل بقطر تثقيب صغير.

إن لم يسمح مفتاح اختيار ترس السرعة **5** بدفعه حتى المصادمة، فافتل ظرف المثقاب بلقمة المثقب قليلاً.

التشغيل والإطفاء

اضغط من أجل تشغيل العدة الكهربائية على مفتاح التشغيل والإطفاء **10** وحافظ على إبقائه مضغوطةً.

لإطفاء العدة الكهربائية، يترك مفتاح التشغيل والإطفاء **10**.

ضبط عدد الدوران

يمكنك أن تتحكم بعدد دوران العدة الكهربائية قيد التشغيل دون تدرّج، حسب مدى الضغط على مفتاح التشغيل والإطفاء **10**.

يؤدي الضغط الخفيف على مفتاح التشغيل والإطفاء **10** إلى عدد دوران منخفض. يزداد عدد الدوران بزيادة الضغط.

فرامل إنهاء الدوران

عند إطلاق مفتاح التشغيل والإطفاء **10** يتمّ فرملة ظرف المثقاب مما يمنع عدة الشغل بمتابعة دورانها.

لا تطلق مفتاح التشغيل والإطفاء **10** عند ربط اللولب إلا بعد أن يكون قد تمّ ربط اللولب بمادة الشغل بتساطح. لن يتغرز رأس اللولب في مادة الشغل عندئذ.

ملاحظات شغل

◀ ركز العدة الكهربائية على اللولب فقط عندما تكون مطفاةً. إن عدد الشغل الدوّارة قد تنزل.

نصائح

بعد تنفيذ الأعمال لفترة طويلة بعدد دوران صغير ينبغي تشغيل الجهاز على الفاضي لمدة ثلاث دقائق تقريباً بعدد الدوران الأقصى من أجل تبريده.

استخدم عند تثقيب المعادن فقط لقم التثقيب = HSS (الفولاذ العالي القدرة والسريع القطع) يضمن برنامج تواع بوش الجودة المناسبة.

قبل ربط اللولب الكبيرة الطويلة في مواد الشغل القاسية، ينصح بإجراء ثقب تمهيدي بقطر لبّ اللولب وبمقدار $\frac{2}{3}$ طول اللولب.

الصيانة والخدمة

الصيانة والتنظيف

◀ ركز مفتاح تحويل اتجاه الدوران على الوضع المتوسط قبل إجراء أي تعديل بالعدة الكهربائية (مثلاً: الصيانة، استبدال العدد وإلخ..). وأيضاً عند نقلها أو تخزينها. يتشكل خطر الإصابة بجروح عند الضغط على مفتاح التشغيل والإطفاء بشكل غير مقصود.

◀ حافظ دائماً على نظافة العدة الكهربائية وشقوق التهوية للعمل بشكل جيد وآمن.

التركيب

شحن المركم

لا ينجز مركم جديد أو مركم لم يستعمل لفترة طويلة أداءه الكامل إلا بعد 5 دورات شحن وتفريغ تقريباً.

لنزع المركم **6** يضغط على زري فك الإقفال **7** ويسحب المركم عن العدة الكهربائية إلى الأسفل. لا تستعمل العنف أثناء ذلك.

لقد تمّ تجهيز المركم بمراقب حراري NTC والذي يسمح بالشحن فقط ضمن مجال حراري يقع بين صفر درجة مئوية و 45 درجة مئوية. ويؤدي ذلك إلى فترة صلاحية طويلة للمركم.

وتدل فترة صلاحية تشغيل أقصر يوضح بعد الشحن، إلى أن المركم قد استهلك وأنه توجب استبداله.

تراعى الملاحظات بصدد التخلص من العدد.

استبدال العدد (تراجع الصورة A)

◀ركز مفتاح تحويل اتجاه الدوران على الوضع المتوسط قبل إجراء أي تعديل بالعدة الكهربائية (مثلاً: الصيانة، استبدال العدد وإلخ..). وأيضاً عند نقلها أو تخزينها. يتشكل خطر الإصابة بجروح عند الضغط على مفتاح التشغيل والإطفاء بشكل غير مقصود.

امسك الليبسة الخلفية **3** بظرف المثقاب السريع الشد **1** بإحكام وافتل الليبسة الأمامية **2** نحو اتجاه الدوران **1** إلى الحد الذي يسمح بتربك العدة. ركب العدة.

اقبض على الليبسة الخلفية **3** بظرف المثقاب السريع الشد **1** بإحكام واغلق الليبسة الأمامية **2** بفتلها باتجاه الدوران **2** بواسطة اليد بقوة.

يتم فك الإقفال عند فتل الليبسة الأمامية **2** بالاتجاه العاكس من أجل نزع العدة.

استبدال ظرف المثقاب

◀ركز مفتاح تحويل اتجاه الدوران على الوضع المتوسط قبل إجراء أي تعديل بالعدة الكهربائية (مثلاً: الصيانة، استبدال العدد وإلخ..). وأيضاً عند نقلها أو تخزينها. يتشكل خطر الإصابة بجروح عند الضغط على مفتاح التشغيل والإطفاء بشكل غير مقصود.

نزع لولب التأمين (تراجع الصورة B)

لقد تمّ تأمين ظرف المثقاب السريع الشد **1** ضد الانحلال الغير مقصود عن محور دوران المثقاب بواسطة لولب التأمين **12**. افتح ظرف المثقاب السريع الشد **1** بشكل كامل وانزع لولب التأمين **12** بفتله باتجاه الدوران **1**. يراعى بأن أسنان لولبة لولب التأمين يسارية.

فك ظرف المثقاب (تراجع الصورة C)

شد مفتاح الربط السداسي الحواف داخلياً **13** بقرص ساقه القصيرة في ظرف المثقاب السريع الشد **1**.

ضع العدة الكهربائية على أرضية ثابتة، مثلاً منضدة شغل. اقبض على العدة الكهربائية بإحكام وحل ظرف المثقاب السريع الشد **1** من خلال فتل مفتاح الربط السداسي الحواف داخلياً **13** باتجاه الدوران **1**. يجل ظرف المثقاب السريع الشد المستعصي عن الحركة بطريقة خفيفة على الساق الطويلة بمفتاح الربط السداسي الحواف داخلياً **13**. انزع مفتاح الربط السداسي الحواف داخلياً عن ظرف المثقاب السريع الشد وفك ظرف المثقاب السريع الشد بشكل كامل.

تركيب ظرف المثقاب (تراجع الصورة D)

يتمّ تركيب ظرف المثقاب السريع الشد بالتسلسل العاكس.

ملاحظة: عاود ربط لولب التأمين **12** بعد تركيب ظرف المثقاب السريع الشد بنجاح.

يجب أن يتمّ شدّ ظرف المثقاب بعزم دوران شدّ يتراوح من **35 - 40** نيوتن متر تقريباً.



شفط الغبار/ النشارة

◀ إن أغبرة بعض المواد كالطلاء الذي يحتوي على الرصاص، وبعض أنواع الخشب والفلات والمعادن، قد تكون مضرّة بالصحة. إن ملامسة أو استنشاق الأغبرة قد يؤدي إلى ردود فعل زائدة الحساسية و/ أو إلى أمراض المجاري التنفسية لدى المستخدم أو لدى الأشخاص المتواجدين على مقربة من المكان. تعتبر بعض الأغبرة المعينة، كأغبرة البلوط والزان بأنها مسببة للسرطان، ولا سيما بالاتصال مع المواد الإضافية لمعالجة الخشب (ملح حامض الكروميك، المواد الحافظة للخشب). يجوز أن يتم معالجة المواد التي تحتوي على الأسبستوس من قبل العمال المتخصصين فقط دون غيرهم.

— استخدم شافطة خوائية للغبار قدر الإمكان.

— حافظ على تهوية مكان الشغل بشكل جيد.

— ينصح بارتداء قناع ولباية للتنشيط بفتة المرشح P2.

تراعى الأحكام السارية في بلدكم بالنسبة للمواد المرغوب معالجتها.

وصف العمل



اقرأ جميع الملاحظات التحذيرية والتعليمات. إن ارتكاب الأخطاء عند تطبيق الملاحظات التحذيرية والتعليمات قد يؤدي إلى الصدمات الكهربائية، إلى نشوب الحرائق و/أو الإصابة بجروح خطيرة.

يرجى فتح الصفحة القابلة للثني والتي تتضمن صور الجهاز وتركها مفتوحة أثناء قراءة كراسة الاستعمال.

الاستعمال المخصص

لقد خصصت العدة الكهربائية لربط وحلّ اللوالب وأيضاً لتثقيب الخشب والمعادن والخزف واللدائن.

الأجزاء المصورة

يستند ترقيم الأجزاء المصورة إلى رسوم العدة الكهربائية الموجودة في صفحة الرسوم التخطيطية.

1 ظرف المثقاب السريع الشد

البيانات الفنية

GSR 14,4-2 Professional	GSR 12-2 Professional	GSR 9,6-2 Professional	مثنقاب/ مثنق لوالب بمركم	رقم الصنف
3 601 J18 G..	3 601 J18 J..	3 601 J18 L..	V=	الجهد الاسمي
14,4	12	9,6		عدد الدوران الا المحلي
400 - 0	400 - 0	400 - 0	دقيقة ¹	- ترس السرعة 1.
1 400 - 0	1 200 - 0	1 000 - 0	دقيقة ¹	- ترس السرعة 2.
30/15	27/11	25/10	نيوتن متر	عزم الدوران الأقصى بحالة ربط لوالب قاسية/ لينة حسب ISO 5393
12/12	12/12	10/10	مم	أقصى Ø التثقيب (ترس السرعة 2. / 1.)
19/26	14/23	13/20	مم	- فولاذ
8	7	6	مم	- خشب
10 - 1	10 - 1	10 - 1	مم	Ø اللوالب الأقصى
3/8"	3/8"	3/8"		مجال شد ظرف المثقاب
1,7	1,6	1,5	كغ	أسنان لولبة محور دوران المثقاب
				الوزن حسب EPTA-Procedure 01/2003

يرجى مراعاة رقم الصنف على لافتة طراز عدتك الكهربائية. قد تختلف التسميات التجارية لبعض العدد الكهربائية المفردة.

2 اللييسة الأمامية

3 اللييسة الخلفية

4 حلقة ضبط اختيار عزم الدوران مسبقاً

5 مفتاح اختيار ترس السرعة

6 المركم*

7 زر فك إقفال المركم

8 لقمة مفك براغي*

9 مفتاح تحويل اتجاه الدوران

10 مفتاح التشغيل والإطفاء

11 حامل اللقم العام*

12 لولب تأمين ظرف المثقاب السريع الشد

13 مفتاح ربط سداسي الحواف داخلياً**

* إن التوايح الموصوفة أو الموجودة في الرسم ليست محتواة في إطار التوريد الاعتيادي.

** متداولة (غير مرفقة بنطاق التسليم)

6) الخدمة

a) اسمح بتصلح عدتك الكهربائية فقط من قبل العمال المتخصصين فقط باستعمال قطع الغيار الأصلية. يؤمن ذلك المحافظة على أمان الجهاز.

تعليمات أمان خاصة بالجهاز

◀ استخدم أجهزة تنقيب مناسبة للعثور على خطوط الإمداد المخفية أو استعن بشركة الإمداد المحلية. قد تؤدي ملامسة الخطوط الكهربائية إلى اندلاع النار وإلى الصدمات الكهربائية. إتلاف خط الغاز قد يؤدي إلى حدوث انفجار. اختراق خط الماء يؤدي إلى الأضرار المادية.

◀ اطفى العدة الكهربائية فوراً عند استعصاء عدة الشغل. استعد لمحاكمة عزم رد الفعل العالية التي تسبب الصدمات الارتدادية. تستعصي عدة الشغل عندما:

— يتم فرط تحميل العدة الكهربائية أو

— عندما تحرف في قطعة الشغل المرغوب معالجتها.

◀ اقبض على العدة الكهربائية عن طريق المقابض البدوية المعزولة فقط، إن كنت تنفذ الأعمال التي من الجائز أن تصيب خلالها عدة الشغل الخطوط الكهربائية المخفية. إن ملامسة الخطوط التي يسري بها الجهد الكهربائي تكهرب الأجزاء المعدنية بالعدة الكهربائية أيضاً وتؤدي إلى صدمة كهربائية.

◀ اقبض على العدة الكهربائية بإحكام. قد تشكل عزم رد فعل عالية لوهلة عند إحكام شد وحل اللوالب.

◀ أمن قطعة الشغل. يتم القبض على قطعة الشغل التي تم تثبيتها بواسطة تجهيزة شدّ أو بواسطة المزمرة بأمان أكبر مما لو تم المسك بها بواسطة يدك.

◀ حافظ على نظافة مكان شغلك. إن خلالت المواد شديدة الخطورة. إن أغبرة المعادن الخفيفة قد تشتعل أو تنفجر.

◀ انتظر إلى أن تتوقف العدة الكهربائية عن الحركة قبل أن تضعها جانباً. قد تتكلم عدة الشغل فتؤدي إلى فقدان السيطرة على العدة الكهربائية.

◀ تجنب التشغيل الغير مقصود. تأكد من تركيز مفتاح التشغيل والإطفاء على وضع الإطفاء قبل تركيب المرمك. إن حل العدة الكهربائية وإصبعك على مفتاح التشغيل والإطفاء أو تركيب المرمك في العدة الكهربائية قيد التشغيل قد يسبب الحوادث.

◀ لا تفتح المرمك. بتشكّل خطر تقصير الدارة الكهربائية.

احم المرمك من الحرارة، مثلاً: من تعريضه لأشعة الشمس باستمرار ومن النار. بتشكّل خطر الانفجار.



c) اسحب القابس من المقبس و/ أو انزع المرمك قبل ضبط الجهاز وقبل استبدال قطع التوايح أو قبل وضع الجهاز جانباً. تمنع إجراءات الاحتياط هذه تشغيل العدة الكهربائية بشكل غير مقصود.

d) احتفظ بالعدد الكهربائية التي لا يتم استخدامها بعيداً عن منال الأطفال. لا تسمح باستخدام العدة الكهربائية لمن لا خبرة له بها أو لمن لم يقرأ تلك التعليمات. العدد الكهربائية خطيرة إن تم استخدامها من قبل أشخاص دون خبرة.

e) اعتن بالعدة الكهربائية بشكل جيد. تفحص عما إذا كانت أجزاء الجهاز المتحركة تعمل بشكل سليم وبأنها غير مستعصية عن الحركة أو إن كانت هناك أجزاء مكسورة أو تالفة لدرجة تؤثر فيها على حسن أداء العدة الكهربائية. ينبغي تصليح هذه الأجزاء التالفة قبل إعادة تشغيل الجهاز. الكثير من الحوادث مصدرها العدد الكهربائية التي تم صيانتها بشكل رديء.

f) حافظ على إبقاء عدد القطع نظيفة وحادة. إن عدد القطع ذات حواف القطع الحادة التي تم صيانتها بعناية تكليش بشكل أقل ويمكن توجيهها بشكل أيسر.

g) استخدم العدد الكهربائية والتوايح وعدد الشغل والبخ. حسب هذه التعليمات. تراعى أثناء ذلك شروط الشغل والعمل المراد تنفيذه. استخدام العدد الكهربائية لغير الأغفال المخصصة لأجلها قد يؤدي إلى حدوث الحلات الخطيرة.

5) حسن معاملة واستخدام العدد المزودة بمرمك

a) اشحن المراكم فقط في أجهزة الشحن التي يُنصح باستخدامها من طرف المنتج. يعمّ خطر نشوب الحرائق بأجهزة الشحن المخصصة لنوع معين من المراكم إن تم استخدامها مع نوع آخر من المراكم.

b) استخدم بالعدد الكهربائية فقط المراكم المخصصة لذلك. قد يؤدي استخدام المراكم الأخرى إلى الإصابات وإلى خطر نشوب الحرائق.

c) حافظ على إبعاد المرمك الذي لا يتم استعماله عن مشايك الورق وقطع التفود المعدنية والمفاتيح والسامير واللوالب أو غيرها من الأغراض المعدنية الصغيرة التي قد تقوم بتوصيل الملامسين ببعضها البعض. قد يؤدي تقصير الدارة الكهربائية بين ملامسي المرمك إلى الاحتراق أو إلى اندلاع النار.

d) قد يتسرب السائل من المرمك عند سوء الاستعمال. تجنب ملامسته. اشطفه بالماء في حال ملامسته صدفة. إن وصل السائل إلى العينين، فراجع الطبيب إضافة إلى ذلك. قد يؤدي سائل المرمك المتسرب إلى تهيج البشرة أو إلى الاحتراق.

ملاحظات تحذيرية عامة للعدد الكهربائية



اقرأ جميع الملاحظات التحذيرية والتعليمات. إن ارتكاب الأخطاء عند تطبيق الملاحظات التحذيرية والتعليمات قد يؤدي إلى الصدمات الكهربائية، إلى نشوب الحرائق أو الإصابة بجروح خطيرة.

احفظ بجميع الملاحظات التحذيرية والتعليمات للمستقبل. يقصد بمصطلح "العدة الكهربائية" المستخدم في الملاحظات التحذيرية، العدد الكهربائي الموصولة بالشبكة الكهربائية (بواسطة كابل الشبكة الكهربائية) وأيضاً العدد الكهربائي المزودة بمركم (دون كابل الشبكة الكهربائية).

1) الأمان بمكان الشغل

- a) حافظ على نظافة وحسن إضاءة مكان شغلك. الفوضى في مكان الشغل ومجالات العمل الغير مضاءة قد تؤدي إلى حدوث الحوادث.**
- b) لا تستغل بالعدة الكهربائية في محيط معرض لخطر الانفجار والذي تتوفر فيه السوائل أو الغازات أو الأبخرة القابلة للاشتعال. العدد الكهربائي تشكل الشرر الذي قد يتطاير، فيشعل الأبخرة والأبخرة.**
- c) حافظ على بقاء الأطفال وغيرهم من الأشخاص على بعد عندما تستعمل العدة الكهربائية. قد تفقد السيطرة على الجهاز عند التلهي.**

2) الأمان الكهربائي

- a) يجب أن يتلائم قايس وصل العدة الكهربائية مع القابس. لا يجوز تغيير القابس بأي حال من الأحوال. لا تستعمل القوايس المهابنة مع العدد الكهربائية المؤرضة تأريض وقائي. تحفّض القوايس التي لم يتم تغييرها والمقابس الملائمة من خطر الصدمات الكهربائية.**
- b) تجنب ملامسة السطوح المؤرضة كالأنايب ورادياتورات التدفئة والمدافئ أو البرادات بواسطة جسمك. يزداد خطر الصدمات الكهربائية عندما يكون جسمك مؤرض.**
- c) أبعد العدة الكهربائية عن الأمطار أو الرطوبة. يزداد خطر الصدمات الكهربائية إن تسرب الماء إلى داخل العدة الكهربائية.**
- d) لا تسيء استعمال الكابل لحمل العدة الكهربائية أو تعليقها أو لسحب القابس من القابس. حافظ على إبعاد الكابل عن الحرارة والزيت والحواف الحادة أو عن أجزاء الجهاز المتحركة. تزيد الكابلات الثالثة أو المشابكة من خطر الصدمات الكهربائية.**
- e) استخدم فقط كابلات التمديد الصالحة للاستعمال الخارجي أيضاً عندما تستعمل بالعدة الكهربائية في الخلاء. يخفّض استعمال كابل تمدد مخصص للاستعمال الخارجي من خطر الصدمات الكهربائية.**

- f) إن لم يكن بالإمكان تجنب تشغيل العدة الكهربائية في الأجواء الرطبة، فاستخدم مفتاح للوقاية من التيار المتخلف. إن استخدمت مفتاح للوقاية من التيار المتخلف يقلل خطر الصدمات الكهربائية.**

3) أمان الأشخاص

- a) كن يقظاً وانتبه إلى ما تفعله وقم بالعمل بواسطة العدة الكهربائية بتعقل. لا تستخدم عدة كهربائية عندما تكون متعب أو عندما تكون تحت تأثير المخدرات أو الكحول أو الأدوية. عدم الانتباه للحظة واحدة عند استخدام العدة الكهربائية قد يؤدي إلى إصابات خطيرة.**
- b) ارتد عتاد الوقاية الخاص وارتد دائماً نظارات واقية. يجد ارتداء عتاد الوقاية الخاص، كعتاد الوقاية من الغبار وأحذية الأمان الواقية من الانزلاق والحوذ أو واقية الأذنين، حسب نوع واستعمال العدة الكهربائية، من خطر الإصابة بجروح.**
- c) تجنب التشغيل بشكل غير مقصود. تأكد من كون العدة الكهربائية مغطاة قبل وصلها بإمداد التيار الكهربائي و/ أو بالمركم، وقبل رفعها أو حملها. إن كنت تضع إصبعك على المفتاح أثناء حمل العدة الكهربائية أو إن وصلت الجهاز بالشبكة الكهربائية عندما يكون قيد التشغيل، فقد يؤدي ذلك إلى حدوث الحوادث.**
- d) انزع عدد الضغط أو مفتاح الربط قبل تشغيل العدة الكهربائية. قد تؤدي العدة أو المفتاح المتواجد في جزء دوار من الجهاز إلى الإصابة بجروح.**
- e) تجنب أوضاع الجسد الغير طبيعية. قف بأمان وحافظ على توازنك دائماً. سيسمح لك ذلك من السيطرة على الجهاز بشكل أفضل في المواقف الغير متوقعة.**
- f) ارتد ثياب مناسبة. لا ترتد الثياب الفضفاضة أو الحلى. حافظ على إبقاء الشعر والثياب والقفازات على بعد عن أجزاء الجهاز المتحركة. قد تشابك الثياب الفضفاضة والحلى والشعر الطويل بالأجزاء المتحركة.**
- g) إن جاز تركيب تجهيزات شطف وتجميع الغبار، فتأكد من أنها موصولة وبأنه يتم استخدامها بشكل سليم. قد يقلل استخدام تجهيزات لشطف الأبخرة من المخاطر الناتجة عن الأبخرة.**
- 4) حسن معاملة واستخدام العدد الكهربائية**
- a) لا تفرط بتحميل الجهاز. استخدم لتنفيذ أشغالك العدة الكهربائية المخصصة لذلك. إنك تعمل بشكل أفضل وأكثر أماناً بواسطة العدة الكهربائية الملائمة في مجال الأداء المذكور.**
- b) لا تستخدم العدة الكهربائية إن كان مفتاح تشغيلها تالف. العدة الكهربائية التي لم تعد تسمح بتشغيلها أو بإطافئها خطيرة ويجب أن يتم تصليحها.**

مراقبت و سرویس

مراقبت، تعمیر و تمیز کردن دستگاه

پیش از انجام هرگونه کاری با ابزار برقی (از جمله سرویس، تعویض ابزار و متعلقات و غیره) و همچنین به هنگام حمل و نگهداری آن، کلید تغییر جهت چرخش را در حالت میانه قرار دهید. در صورت بکار انداختن ناخواسته کلید قطع و وصل خطر آسیب دیدگی وجود دارد.

ابزار الکتریکی و شیارهای تهویه آنرا تمیز نگاه دارید. تا ایمنی شما در کار تضمین گردد.

در صورت از کار افتادن ابزار الکتریکی، با وجود دقت بسیاری که در مراحل تولید و آزمایش آن صورت گرفته است، باید برای تعمیر آن به یکی از تعمیرگاه های مجاز و خدمات پس از فروش ابزارآلات برقی بوش مراجعه کنید.

برای هرگونه سؤال و یا سفارش ابزار یدکی و متعلقات، حتماً شماره فنی ده رقمی کالا را مطابق برجسب روی ابزار برقی اطلاع دهید.

خدمات پس از فروش و مشاوره با مشتریان

دفتر خدمات پس از فروش به سئوالات شما در باره تعمیرات، سرویس و همچنین قطعات یدکی و متعلقات پاسخ خواهد داد. تصاویر و اطلاعات در باره قطعات یدکی و متعلقات را میتوانید در سایت نامبرده ذیل جستجو نمایید:

www.bosch-pt.com

تیم مشاور خدمات پس از فروش شرکت بوش با کمال میل به سئوالات شما در باره خرید، طرز استفاده و تنظیم محصولات و متعلقات پاسخ میدهد.

برای استفاده از گارانتی، تعمیر دستگاه و تهیه ابزار یدکی فقط به فروشنده متخصص مراجعه کنید.

از دور خارج کردن دستگاه

ابزار برقی، متعلقات و بسته بندی آن، باید طبق مقررات حفظ محیط زیست از دور خارج و بازیافت شوند.

فقط برای کشورهای اتحادیه اروپائی:

ابزار الکتریکی را داخل زباله دان نیاندازید! طبق آئین نامه و دستورالعمل اروپائی 2002/96/EG در باره دستگاههای کهنه الکتریکی و الکترونیکی و تبدیل آن به قانون ملی، دیگر نباید ابزار الکتریکی قابل استفاده را جداگانه جمع آوری کرد و نسبت به بازیافت مناسب با محیط زیست اقدام بعمل آورد.



باتری ها:



Ni-Cd: نیکل - کادمیوم

توجه: این باتری ها حاوی کادمیوم که یک فلز سنگین و بسیار سمی است، می باشد.

Ni-MH: نیکل - هیدرید فلز

باتری ها را در داخل زباله دان خانگی، در آتش و یا داخل آب نیاندازید. باتری ها باید جمع آوری، بازیافت و یا به طریقه مناسب با حفظ محیط زیست از دور خارج شوند.

حق هرگونه تغییری محفوظ است.

تنظیم جهت چرخش (رجوع شود به تصویر E)

با کمک کلید تغییر جهت چرخش 9 میتوانید جهت چرخش ابزار برقی را تغییر دهید. این عمل در حالی که کلید قطع و وصل 10 فشرده باشد. امکان پذیر نیست.

راست گرد: برای سوراخ کاری و چرخش های اولیه پیچ برای بستن پیچ. کلید تغییر جهت چرخش 9 را تا نقطه ایست به سمت چپ فشار دهید.

چپ گرد: برای باز کردن و همچنین بیرون آوردن پیچ. کلید تغییر جهت چرخش 9 را تا نقطه ایست به سمت راست فشار دهید.

نحوه انتخاب گشتاور

بوسیله حلقه تنظیم 4 برای انتخاب گشتاور میتوانید گشتاور مورد نظر را پیشاپیش در 25 درجه انتخاب و تنظیم کنید. در صورت تنظیم صحیح، ابزار برقی به مجرد اینکه پیچ بطور کامل با سطح قطعه کار همسطح شد و یا به گشتاور از قبل تنظیم شده مطلوب رسید از حرکت ایستاده و ثابت میماند. به هنگام باز کردن و بیرون آوردن پیچ بهتر است یک درجه تنظیم بالاتری را انتخاب کنید و یا دستگاه را روی علامت "مته کاری/سوراخ کاری" قرار دهید.

انتخاب مکانیکی دنده

◀ **دکمه انتخاب دنده 5 را تنها هنگام خاموش بودن و ایست دستگاه فعال کنید.**

بوسیله کلید انتخاب دنده 5 میتوان سرعت را در دو حالت انتخاب کرد.
دنده 1:

محدوده سرعت کم برای پیچ کردن و یا کار با مه قطور برای سوراخهای بزرگ.

دنده 2:

محدوده سرعت بالا. برای ایجاد سوراخهای دارای قطر کم. چنانچه دکمه انتخاب دنده 5 را نتوان تا نقطه ایست (تا آخرین حد) چرخاند. در اینصورت سه نظام و مه را کمی بچرخانید.

نحوه روشن و خاموش کردن ابزار برقی

برای روشن کردن ابزار برقی. کلید قطع و وصل 10 را فشار داده و آنرا درحالت فشرده نگهدارید.

برای خاموش کردن ابزار برقی. کلید قطع و وصل 10 را رها کنید.

تنظیم سرعت (دور موتور)

شما می توانید دور و سرعت ابزار الکتریکی روشن را بدون درجه بندی و بطور دلخواه تنظیم کنید. این امر بر حسب اینکه شما تا چه حد کلید قطع و وصل 10 را فشار دهید. قابل تنظیم است.

فشار کم بر روی کلید قطع و وصل 10 میزان سرعت را کاهش میدهد. افزایش فشار بر روی کلید قطع و وصل باعث افزایش سرعت میشود.

ترمز متوقف کننده تدریجی

در صورت رها کردن کلید قطع و وصل 10، سه نظام متوقف می شود و از این طریق از ادامه یافتن کار دستگاه جلوگیری بعمل می آید.

هنگام بستن پیچ. کلید قطع و وصل 10 را هنگامی رها کنید که پیچ بطور کامل در قطعه کار پیچ شده و سر پیچ بطور مسطح بر روی قطعه کار قرار گرفته باشد. به این ترتیب سر پیچ (گل پیچ) در داخل متریال تداخل پیدا نمی کند.

راهنمایی های عملی

◀ **دستگاه را فقط در حالت خاموش بودن روی پیچ قرار دهید.** امکان لغزش و سرخوردن ابزار مه در حال چرخش وجود دارد.

پیشنهاد های مفید

پس از مدتی کار با دور پائین و سرعت کم بایستی ابزار برقی را برای خنک شدن به مدت تقریباً 3 دقیقه با حداکثر سرعت در حالت آزاد بکار اندازید.

برای مه کاری در فلزات فقط از مه های سالم و تیز از جنس HSS (فولاد قوی سریع = HSS) استفاده کنید. لیست ابزار و متعلقات شرکت بوش تضمین کننده بهترین کیفیت ابزار میباشد.

پیش از پیچ کردن پیچ های بزرگ و بلند در داخل متریال های سخت، باید نخست يك سوراخ به قطر مغزی رزوه پیچ و به اندازه 3/ طول پیچ داخل قطعه کار ایجاد کنید.

نحوه تعویض سه نظام

پیش از انجام هرگونه کاری با ابزار برقی (از جمله سرویس، تعویض ابزار و متعلقات و غیره) و همچنین به هنگام حمل و نگهداری آن، کلید تغییر جهت چرخش را در حالت میانه قرار دهید. در صورت بکار انداختن ناخواسته کلید قطع و وصل خطر آسیب دیدگی وجود دارد.

نحوه برداشتن پیچ ایمنی (رجوع شود به تصویر B)

سه نظام اتوماتیک 1 در برابر باز شدن ناخواسته شفت دستگاه بوسیله یک پیچ ایمنی 12 محافظت میشود. سه نظام اتوماتیک 1 را بطور کامل باز کنید و پیچ ایمنی 12 را در جهت چرخش ❶ بپیچانید و بیرون بیاورید. توجه داشته باشید که پیچ ایمنی دارای رزوه چپ میباشد.

نحوه برداشتن سه نظام (رجوع شود به تصویر C)

سریک آچار آلن شش گوش 13 را از طرف میله کوتاه آن در سه نظام اتوماتیک 1 قرار بدهید.

ابزار برقی را بر روی یک سطح محکم و ثابت قرار بدهید. بطور مثال بر روی یک میز کار. ابزار برقی را محکم نگاه دارید و سه نظام اتوماتیک 1 را بوسیله چرخاندن آچار آلن 13 در جهت چرخش ❶ کمی باز (شکل) کنید. در صورت گیر کردن و محکم بودن سه نظام اتوماتیک، میتوان بوسیله یک ضربه آهسته بر روی میله (شفت) بلند آچار آلن 13 آنرا آزاد کرد. آچار آلن را از سه نظام اتوماتیک بردارید و سه نظام اتوماتیک را بطور کامل باز کنید.

نصب سه نظام (رجوع شود به تصویر D)

برای نصب سه نظام اتوماتیک باید مراحل فوق را بطور معکوس عمل کنید.

توجه: پس از نصب سه نظام اتوماتیک، پیچ ایمنی 12 را مجدداً محکم کنید.

سه نظام باید با یک محکم کننده گشتاور (گشتاورسنج)

تقریباً معادل 40 - 35 Nm محکم شود.



مکش گرد ، براده و تراشه

گرد و غبار موادی مانند رنگ های دارای سرب، بعضی از چوب ها، مواد معدنی و فلزات میتوانند برای سلامتی مضر باشند. دست زدن و یا تنفس کردن گرد و غبار ممکن است که باعث بروز آلرژی و یا سبب بیماری مجاری تنفسی شخص استفاده کننده و یا افرادی که در آن نزدیکی میباشند بشود. گرد و غبارهای مخصوصی مانند گرد و غبار درخت بلوط و یا درخت راش سرطان زا هستند. بخصوص ترکیب آنها با سایر موادی که برای کار بر روی چوب (کرومات، مواد برای محافظت از چوب) بکار برده میشوند. فقط افراد متخصص مجازند با موادی که دارای آزیست میباشند کار کنند.

– حتی الامکان از یک مکنده گرد و غبار استفاده نکنید.

– توجه داشته باشید که محل کار شما از تهویه هوای کافی برخوردار باشد.

– توصیه میشود از ماسک تنفسی ایمنی با درجه فیلتر P2 استفاده کنید.

به قوانین و مقررات معتبر در کشور خود در رابطه با استفاده از مواد و قطعات کاری توجه کنید.

طرز کار با دستگاه

راه اندازی و بکارگیری دستگاه

نحوه قرار دادن باتری

❶ فقط از باتری های O-Pack (اوپک) اصل بوش مطابق با ولتاژی که بر روی برچسب دستگاه خود مندرج است، استفاده کنید. استفاده از باتری های متفرقه منجر به آسیب دیدگی شده و خطر آتش سوزی نیز وجود دارد.

کلید تغییر جهت چرخش 9 را در حالت میانه قرار دهید تا از روشن شدن ناخواسته دستگاه جلوگیری بعمل آورید. باتری شارژ شده 6 را در دسته باتری (جای باتری) به نحوی قرار دهید که بطور محسوس در آن جا بیفتد و همسطح با آن قرار گرفته باشد.

مشخصات فنی

GSR 14,4-2 Professional	GSR 12-2 Professional	GSR 9,6-2 Professional	دریل/پیچ‌گوشنی شارژی	
3 601 J18 G..	3 601 J18 J..	3 601 J18 L..		شماره فنی
14,4	12	9,6	V=	ولتاژ نامی
400 - 0 1 400 - 0	400 - 0 1 200 - 0	400 - 0 1 000 - 0	min ⁻¹ min ⁻¹	سرعت در حالت آزاد - دنده 1 - دنده 2
30/15	27/11	25/10	Nm	حداکثر گشتاور برای پیچ کاری سخت/نرم طبق نورم ISO 5393
12/12 19/26	12/12 14/23	10/10 13/20	mm mm	حداکثر قطر سوراخ کاری (دنده 1 / دنده 2) - فولاد - چوب
8	7	6	mm	حداکثر قطر سوراخ کاری Ø
10 - 1	10 - 1	10 - 1	mm	حداکثر دامنه مهار سه نظام
3/8"	3/8"	3/8"		رزوه شفت (محور) مته
1,7	1,6	1,5	kg	وزن مطابق استاندارد EPTA-Procedure 01/2003

لطفاً به شماره فنی روی برجسب ابزار الکتریکی خود توجه کنید. نامهای تجاری ابزارهای الکتریکی ممکن است متفاوت باشند.

نصب

تعویض ابزار (رجوع شود به تصویر A)

نحوه شارژ کردن باتری

یک باتری نو و یا باتری که مدت زیادی از آن استفاده نشده است. پس از حدوداً 5 بار شارژ و تخلیه شدن به توان کامل و نهایی خود میرسد.

برای بیرون آوردن باتری 6 دکمه آزاد کننده 7 را فشار دهید و با بطرف پائین کشیدن باتری. آنرا از ابزار الکتریکی خارج کنید. برای این منظور از اعمال نیرو خودداری کنید.

باتری مجهز به یک کنترل کننده درجه حرارت NTC می باشد که آن شارژ شدن باتری را فقط در دمای مابین 0°C درجه و 45°C درجه سانتیگراد ممکن می سازد. به این ترتیب به طول عمر باتری افزوده می شود.

افت قابل توجه مدت زمان کارکرد باتری که تازه شارژ شده است. نمایانگر آن است که باتری فرسوده و مستعمل شده و باید تعویض شود.

به نکات مربوط به نحوه از دور خارج کردن آن توجه کنید.

تعویض مهره (آداپتور) عقبی 3 سه نظام اتوماتیک 1 را محکم نگاه

پیش از انجام هر گونه کاری با ابزار برقی (از جمله سرویس. تعویض ابزار و متعلقات و غیره) و همچنین به هنگام حمل و نگهداری آن. کلید تغییر جهت چرخش را در حالت میانه قرار دهید. در صورت بکار انداختن ناخواسته کلید قطع و وصل خطر آسیب دیدگی وجود دارد.

پوشش مهره (آداپتور) عقبی 3 سه نظام اتوماتیک 1 را محکم نگاه دارید و مهره (آداپتور) جلوئی 2 را در جهت چرخش 1 بچرخانید تا بتوان ابزار را داخل ابزارگیر قرار داد. ابزار را جا گذاری کنید.

سریوش (مهره) عقبی 3 سه نظام اتوماتیک 1 را محکم نگاه دارید و سریوش (مهره) جلوئی 2 را بوسیله دست محکم به سمت چرخش 2 بچرخانید.

جهت باز کردن قفل و بیرون آوردن ابزار. پوشش مهره (آداپتور) جلوئی 2 را در جهت مخالف بچرخانید.

◀ باتری را باز نکنید. خطر اتصال کوتاه وجود دارد.

باتری را در برابر حرارت، از جمله در برابر تابش مداوم خورشید و همچنین در برابر آتش حفظ کنید. خطر انفجار وجود دارد.



تشریح عملکرد دستگاه



کلیه دستورات ایمنی و راهنمایی‌ها را مطالعه کنید. اشتباهات ناشی از عدم رعایت این دستورات ایمنی ممکن است باعث برق گرفتگی، سوختگی و یا سایر جراحات‌های شدید شود.

لطفاً صفحه‌ها را شده این دفترچه راهنما را که حاوی تصویر دستگاه است، باز کنید و هنگام خواندن این دفترچه راهنما، آنرا باز نگهدارید.

موارد استفاده از دستگاه

این ابزار برقی برای بستن و باز کردن پیچ‌ها و همچنین برای سوراخ کاری در چوب، فلز، سرامیک و مواد پلاستیکی مناسب است.

اجزاء مصور دستگاه

شماره‌های اجزاء دستگاه که در تصویر مشاهده می‌شود، مربوط به شرح و تصویر ابزار الکتریکی می‌باشد که تصویر آن در این دفترچه آمده است.

- 1 سه نظام اتوماتیک
- 2 پوشش مهره (آداپتور) جلویی
- 3 پوشش مهره (آداپتور) عقبی
- 4 حلقه تنظیم برای انتخاب گشتاور
- 5 دکمه انتخاب دنده
- 6 باتری*
- 7 دکمه فشاری آزاد کننده باطری
- 8 سرپیچگوشتی*
- 9 کلید تغییر جهت چرخش
- 10 کلید قطع و وصل
- 11 نگهدارنده یونیورسال/رابط سرپیچگوشتی برای انواع سرپیچگوشتی‌ها*
- 12 پیچ ایمنی برای سه نظام اتوماتیک
- 13 آچار آلن شش گوش**

* کلیه متعلقاتی که در تصویر و یا در متن آمده است، در محدوده عرضه برقرار است. استاندارد نمی‌باشند.

** قابل خرید در بازار (همراه با دستگاه عرضه نمی‌شود)

راهنمایی‌های ایمنی برای این دستگاه

- ◀ برای پیدا کردن لوله‌ها و سیم‌های پنهان موجود در ساختمان و محدوده کار، از یک دستگاه مخصوص برای یافتن لوله‌ها و سیم‌های تأسیسات استفاده کنید و یا با شرکت‌های تأسیسات و خدمات مربوطه تماس بگیرید. تماس با کابل برق ممکن است باعث آتشسوزی و یا برق گرفتگی شود. ایراد و آسیب دیدگی لوله‌گاز می‌تواند انفجار ایجاد کرده و سوراخ شدن لوله آب باعث ایجاد خسارت می‌شود.
- ◀ در صورت گیر کردن و بلوکه شدن ابزار، ابزار برقی (دستگاه) را فوراً خاموش کنید. در این حالت مواظب واکنش‌های شدید گشتاور باشید که باعث ضربه زدن دستگاه می‌شود. ابزار کار مکن است در این حالات گیر کنند.
- در صورتیکه به ابزار برقی فشار بیش از حد وارد شود و یا – ابزار به قطعه کار گیر کند.
- ◀ دستگاه را منحصرأً از سطوح عایق‌دار آن نگهدارید. در صورتیکه بسته به نوع کارتان، امکان تماس ابزار الکتریکی با کابل‌های برق داخل ساختمان که قابل رؤیت نیستند وجود داشته باشد. تماس با سیم و کابلی که هادی جریان برق است، می‌تواند در بخش‌های فلزی دستگاه نیز جریان برق تولید کند و باعث برق گرفتگی شود.
- ◀ ابزار الکتریکی را خوب محکم نگهدارید. به هنگام بستن و یا باز کردن پیچ، امکان عکس‌العمل شدید گشتاور برای مدت کوتاهی وجود دارد.
- ◀ قطعه کار را محکم کنید. در صورتیکه قطعه کار به وسیله تجهیزات نگهدارنده و یا بوسیله گیره محکم شده باشد. در اینصورت قطعه کار مطمئن تر نگه داشته می‌شود. تا اینکه بوسیله دست نگهداشته شود.
- ◀ محل کار خود را تمیز نگهدارید. مخلوط شدن مواد با یکدیگر بسیار خطرناک است. گرد فلزات سبک، ممکن است باعث حریق و یا انفجار شود.
- ◀ قبل از کنار گذاشتن ابزار برقی صبر کنید تا دستگاه بطور کامل از کار و حرکت بایستد. ابزار قرار گرفته روی دستگاه ممکن است به قطعه کار گیر کرده و کنترل ابزار برقی از دست شما خارج شود.
- ◀ از روشن شدن ناخواسته دستگاه جلوگیری کنید. قبل از قرار دادن باطری، کنترل کنید قطعه وصل دستگاه روی حالت خاموش قرار داشته باشد. چنانچه هنگام حمل ابزار برقی انگشت شما روی کلید قطع و وصل قرار داشته باشد. و همچنین اگر باطری در حالی که ابزار برقی روشن است در داخل آن قرار دهید، امکان بروز سوانح کاری وجود دارد.

e) وضعیت بدن شما باید در حالت عادی قرار داشته باشد. برای کار جای مطمئنی برای خود انتخاب کرده و تعادل خود را همواره حفظ کنید. به این ترتیب می توانید ابزار الکتریکی را در وضعیت های غیر منتظره بهتر خت کنترل داشته باشید.

f) لباس مناسب بپوشید. از پوشیدن لباس های فراخ و حمل زینت آلات خود داری کنید. موها، لباس و دستکش ها را از بخش های درحال چرخش دستگاه دور نگهدارید. لباس های فراخ، موی بلند و زینت آلات ممکن است در قسمت های درحال چرخش دستگاه گیرکنند.

g) در صورتیکه می توانید وسائل مکش گرد و غبار و یا وسیله جذب زائده را به دستگاه نصب کنید، باید مطمئن شوید که این وسائل نصب و درست استفاده می شوند. استفاده از وسائل مکش گرد و غبار مصونیت شما را در برابر گرد و غبار زیاد تر میکند.

4) استفاده صحیح از ابزار الکتریکی و مراقبت از آن

a) از وارد کردن فشار زیاد روی دستگاه خود داری کنید. برای هر کاری، از ابزار الکتریکی مناسب با آن استفاده کنید. بکار گرفتن ابزار الکتریکی مناسب باعث میشود که بتوانید از توان دستگاه بهتر و با اطمینان بیشتر استفاده کنید.

b) در صورت ایراد در کلید قطع و وصل ابزار برقی، از دستگاه استفاده نکنید. ابزار الکتریکی که نمی توان آنها را قطع و وصل کرد، خطرناک بوده و باید تعمیر شوند.

c) قبل از تنظیم ابزار الکتریکی، تعویض متعلقات و یا کنار گذاشتن آن، دوشاخه را از برق کشیده و یا باطری آنرا خارج کنید. رعایت این اقدامات پیشگیری ایمنی از راه افتادن ناخواسته ابزار الکتریکی جلوگیری می کند.

d) ابزار الکتریکی را در صورت عدم استفاده، از دسترس کودکان دور نگهدارید. اجازه ندهید که افراد نا وارد و یا اشخاصی که این دفترچه راهنما را نخوانده اند، با این دستگاه کار کنند. قرار گرفتن ابزار الکتریکی در دست افراد ناوارد و بی تجربه خطرناک است.

e) از ابزار الکتریکی خوب مراقبت کنید. مواظب باشید که قسمت های متحرک دستگاه خوب کار کرده و گیر نکند. همچنین دقت کنید که قطعات ابزار الکتریکی شکسته و یا آسیب دیده نباشند. قطعات آسیب دیده را قبل از شروع به کار تعمیر کنید. علت بسیاری از سوانح کاری، عدم مراقبت کامل از ابزارهای الکتریکی می باشد.

f) ابزار برش را تیز و تمیز نگهدارید. ابزار برشی که خوب مراقبت شده و از لبه های تیز برخوردارند، کمتر درقطعه کار گیر کرده و بهتر قابل هدایت می باشند.

g) ابزارهای الکتریکی، متعلقات، ابزارهای که روی دستگاه نصب می شوند و غیره در مطابق دستورات این جزوه راهنما طوری به کار گیرید که با مدل این دستگاه تناسب داشته باشند. همچنین به شرایط کاری و نوع کار توجه کنید. کاربرد ابزار برقی برای موارد کاری که برای آن درنظر گرفته نشده است، میتواند شرایط خطرناکی را منجر شود.

5) مراقبت و طرز استفاده از ابزارهای شارژی

a) باطری ها را منحصرأ در دستگاهایی شارژ کنید که توسط سازنده توصیه شده باشند. در صورتیکه برای شارژ باطری، آنرا در شارژری قرار دهید که برای آن باطری ساخته نشده است، خطر آتشسوزی وجود دارد.

b) در ابزار آلات الکتریکی، فقط از باطری هایی استفاده کنید که برای آن در نظر گرفته شده اند. استفاده از باطری های متفرقه میتواند منجر به جراحات و حریق گردد.

c) در صورت عدم استفاده از باطری باید آنرا از گیره های فلزی، سکه، کلید، میخ، پیچ و دیگر وسائل کوچک فلزی دور نگه دارید، زیرا این وسائل ممکن است باعث ایجاد اتصالی شوند. ایجاد اتصالی بین دو قطب باطری (ترمینالهای باطری) میتواند باعث سوختگی و ایجاد حریق شود.

d) استفاده بی رویه از باطری میتواند باعث خروج مایعات از آن شود. از دست زدن به آن خود داری کنید. در صورت تماس اتفاقی با آن، دست خود را با آب بشوئید. در صورت آلوده شدن چشم با این مایع، باید به پزشک مراجعه کنید. مایع خارج شده از باطری میتواند باعث التهاب پوست و سوختگی شود.

6) سرویس

a) برای تعمیر ابزار الکتریکی فقط به متخصصین حرفه ای رجوع کرده و از وسائل یدکی اصل استفاده کنید. این باعث خواهد شد که ایمنی دستگاه شما تضمین گردد.

راهنمایی های ایمنی عمومی برای ابزارهای

الکتریکی



همه دستورات ایمنی و راهنمایی ها را بخوانید. اشتباهات ناشی از عدم رعایت این دستورات ایمنی مکن است باعث برق گرفتگی، سوختگی و یا سایر جراحات های شدید شود.

همه هشدار های ایمنی و راهنمایی ها را برای آینده خوب نگهداری کنید.

هرجا در این راهنما از «ابزار الکتریکی» صحبت میشود. منظور ابزارهای الکتریکی (باسیم برق) و یا ابزارهای الکتریکی باطری دار (بدون سیم برق) می باشد.

1) ایمنی محل کار

a) محل کار خود را تمیز، مرتب و مجهز به نور کافی نگهدارید.

محیط کار نامرتب و کم نور میتواند باعث سوانح کاری شود.

b) با ابزار الکتریکی در محیط هایی که در آن خطر انفجار

وجود داشته و حاوی مایعات، گازها و غبارهای محترقه

باشد، کار نکنید. ابزارهای الکتریکی جرقه هایی ایجاد

میکند که می توانند باعث آتش گرفتن گرد و بخارهای موجود

در هوا شوند.

c) هنگام کار با ابزار الکتریکی، کودکان و سایر افراد را از

دستگاه دور نگهدارید. در صورتیکه حواس شما پرت شود.

مکن است کنترل دستگاه از دست شما خارج شود.

2) ایمنی الکتریکی

a) دوشاخه ابزار الکتریکی باید با پریز برق تناسب داشته

باشد. هیچگونه تغییری در دوشاخه ندهید. میدل دوشاخه

نباید همراه با ابزار الکتریکی دارای اتصال به زمین (ارت

شده) استفاده شود. دوشاخه های اصل و تغییر داده نشده و

پریزهای مناسب، خطر شوک الکتریکی و برق گرفتگی را کم

می کنند.

b) از تماس بدنی با قطعات دارای سیم اتصال به زمین (ارت

شده) مانند لوله، شوفاژ، اجاق برقی و یخچال خود داری

کنید. در صورتیکه بدن شما با سیم دارای اتصال به زمین (ارت

شده) تماس پیدا کند، خطر برق گرفتگی بیشتر خواهد شد.

c) دستگاه را از باران و رطوبت دور نگهدارید. نفوذ آب به ابزار

الکتریکی، خطر شوک الکتریکی را افزایش میدهد.

d) از سیم دستگاه برای کارهایی چون حمل ابزار الکتریکی،

آویزان کردن آن و یا خارج کردن دوشاخه از برق استفاده

نکنید. کابل دستگاه را در مقابل حرارت، روغن، لبه های

تیز و بخش های متحرک دستگاه دور نگهدارید. کابل های

آسیب دیده و یا گره خورده خطر شوک الکتریکی را افزایش

میدهند.

e) در صورتیکه با ابزار الکتریکی در محیط باز کار میکنید،

تنها از کابل رابطی استفاده کنید که برای محیط باز نیز

مناسب باشد. کابل های رابط مناسب برای محیط باز، خطر

برق گرفتگی را کم می کنند.

f) در صورت لزوم کار با ابزار الکتریکی در محیط و اماکن

مربوط، در اینصورت باید از یک کلید حفاظتی جریان خطا

و نشستی زمین (کلید قطع کننده اتصال با زمین) استفاده

کنید. استفاده از کلید حفاظتی جریان خطا و نشستی زمین

خطر برق گرفتگی را کمتر می کند.

3) رعایت ایمنی اشخاص

a) حواس خود را خوب جمع کنید، به کار خود دقت کنید و

با فکر و هوش کامل با ابزار الکتریکی کار کنید. در صورت

خستگی و یا در صورتیکه مواد مخدر، الکل و دارو استفاده

کرده اید، با ابزار الکتریکی کار نکنید. یک لحظه بی توجهی

هنگام کار با ابزار الکتریکی، میتواند جراحات های شدیدی به

همراه داشته باشد.

b) از تجهیزات ایمنی شخصی و از عینک ایمنی همواره

استفاده کنید. استفاده از تجهیزات ایمنی مانند ماسک

ایمنی، کفش های ایمنی ضد لغزش، کلاه ایمنی و گوشی

ایمنی متناسب با نوع کار با ابزار الکتریکی، خطر مجروح

شدن را تقلیل میدهد.

c) مواظب باشید که ابزار الکتریکی بطور ناخواسته بکار

نیفتد. قبل از وارد کردن دوشاخه دستگاه در پریز برق، اتصال

آن به باطری، برداشتن آن و یا حمل دستگاه، باید دقت

کنید که ابزار الکتریکی خاموش باشد. در صورتیکه هنگام

حمل دستگاه انگشت شما روی دکمه قطع و وصل باشد و

یا دستگاه را در حالت روشن به برق بزنید. مکن است سوانح

کاری پیش آید.

d) قبل از روشن کردن ابزار الکتریکی، باید همه ابزارهای

تنظیم کننده و آچارها را از روی دستگاه بردارید. ابزار و

آچارهایی که روی بخش های چرخنده دستگاه قرار دارند،

میتوانند باعث ایجاد جراحات شوند.