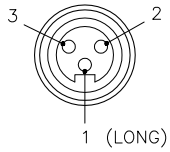


MALE END VIEW

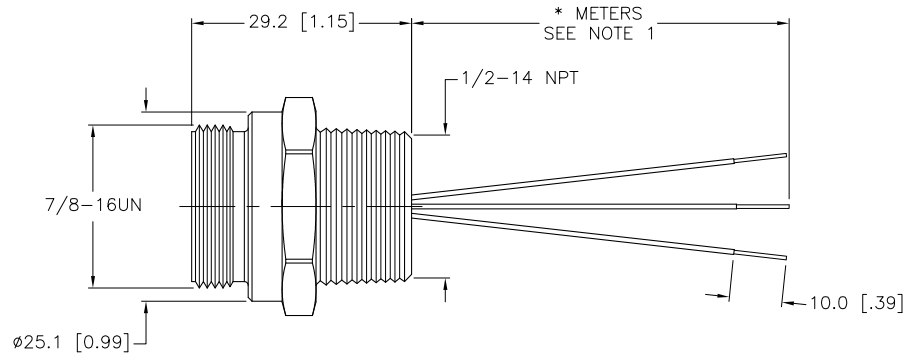
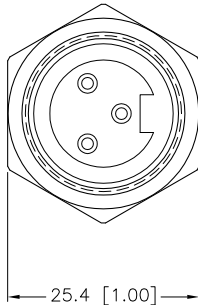


- 1 = GREEN
- 2 = RED/BLACK
- 3 = RED/WHITE



SPECIFICATIONS

|                                |                                  |
|--------------------------------|----------------------------------|
| CONTACT CARRIER MATERIAL/COLOR | TPU/YELLOW                       |
| CONTACT MATERIAL/PLATING       | BRASS/GOLD                       |
| HOUSING MATERIAL/COLOR         | ZINC ALLOY/NICKEL                |
| RATED CURRENT [A]              | 10.0 A                           |
| RATED VOLTAGE [V]              | 600 V                            |
| CONDUCTOR INSULATION MATERIAL  | PVC                              |
| NUMBERS OF CONDUCTORS [AWG]    | 3x16 AWG                         |
| TEMPERATURE RATING             | -40°C to +80°C (-40°F to +176°F) |
| PROTECTION CLASS               | MEETS NEMA 1,3,4,6P AND IEC IP67 |



| CABLE LENGTH | TOLERANCE   |
|--------------|---|
| ALL LENGTHS  | + 4% (OR 50mm) OF LENGTH<br>- 0% (OR 0mm) OF LENGTH<br>WHICHEVER IS GREATER |
| STRIP LENGTH | TOLERANCE   |
| 0-7mm        | ±0.5mm  |
| 8-29mm       | ±1.0mm  |
| 30-49mm      | ±2.0mm  |
| 50-69mm      | ±3.0mm  |
| 70-100mm     | ±4.0mm  |
| OVER 100mm   | ±5.0mm  |

NOTES:

- "\*" INDICATES CABLE LENGTH IN METERS. CONTACT TURCK TO ORDER SPECIFIC LENGHRS.

SOURCE DRAWING - FOR REFERENCE ONLY

|                   |   |   |  |                              |
|-------------------|---|---|--|------------------------------|
| RELATED DOCUMENTS | 3RD ANGLE PROJECTION  | THIS DRAWING IS PROPERTY OF TURCK INC. USE OF THIS DOCUMENT WITHOUT WRITTEN PERMISSION IS PROHIBITED. | <b>TURCK INC</b><br>High Technology Sensors and Automation Controls<br>3000 CAMPUS DRIVE<br>MINNEAPOLIS, MN 55441<br>1-800-544-7769<br>(763) 553-7300<br>(763) 553-0708 fax<br>turck.com |                              |
| 1.                |   | DRFT  | DATE 11/12/04  | DESCRIPTION<br>RSF 35-*M/NPT |
| 2.                |   | DSGN  | SCALE 1=1.0  |                              |
| 3.                | ALL DIMENSIONS DISPLAYED ON THIS DRAWING ARE FOR REFERENCE ONLY<br><br>CONTACT TURCK FOR MORE INFORMATION | UNIT OF MEASUREMENT<br><b>MILLIMETER [ INCH ]</b>   |  | IDENTIFICATION NO.           |
| 4.                |   | DO NOT SCALE THIS DRAWING   |  | REV<br>C                     |
| MATERIAL          | SEE SPECIFICATIONS  | FILE: 777003067   |  |                              |
| FINISH            | SEE SPECIFICATIONS  | SHEET 1 OF 1  |  |                              |

|     |  |     |          |         |
|-----|--|-----|----------|---------|
| C   | DRAWING PROCESSED AS PART OF ECO 33971 | CBM | 04/06/11 | 33971   |
| REV | DESCRIPTION                            | BY  | DATE     | ECO NO. |