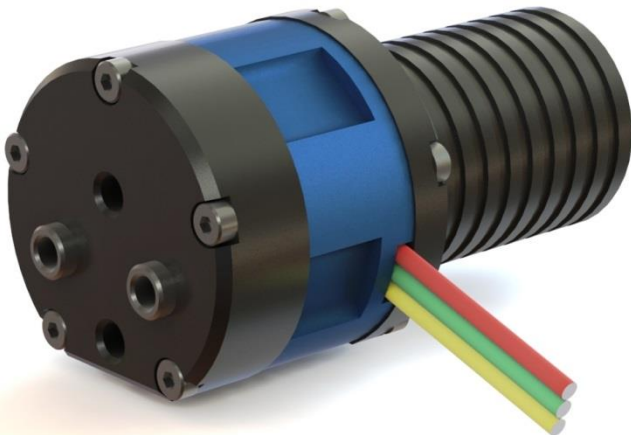


Product Datasheet

RS MG1000 Micro Pump – manifold fitting



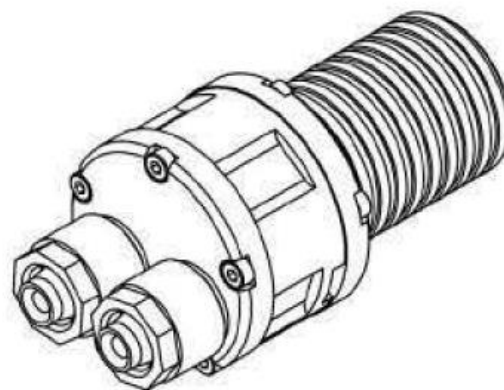
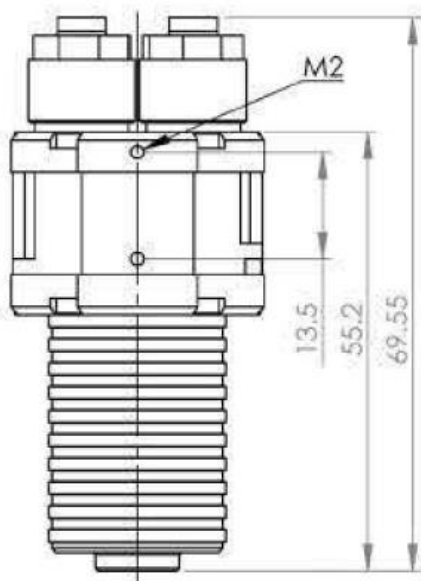
The MG2000 series of pumps deliver consistent flow with high or low pressure. It is suitable for low or high viscosity liquids and is self-priming. The body is constructed from precision CNC machined aluminium alloy and wetted parts are stainless steel, PEEK and polyacetal. The MG2000 range can be used with all common liquids and also resists most chemicals and solvents. The pump has two tubing connector options; stainless steel threaded tubing connectors for quick and easy connection to tubing, or for directly mounting to your manifold. Flow is reversible.

Standard features:

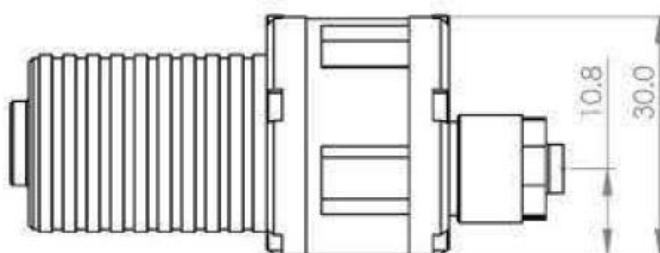
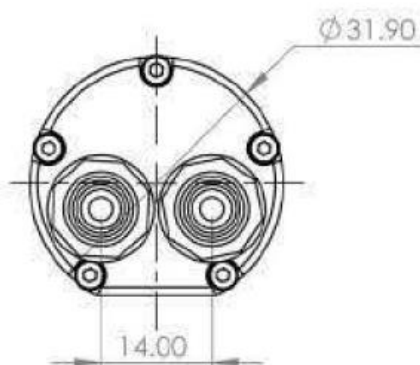
- High pressure capability
- Self priming
- High and low viscosity fluids
- Smooth almost pulseless flow
- Reversible Flow
- CNC aluminium alloy construction
- Small size only 55 x 35 x 35 mm
- Weight 110g
- Operating Temp -20 to 100 deg C
- IP Rating IP67
- Noise Levels 15dB

Typical Applications

- Medical devices
- Fuel cells
- High pressure fuel pump
- Cooling systems
- Precision flow
- Lubrication systems



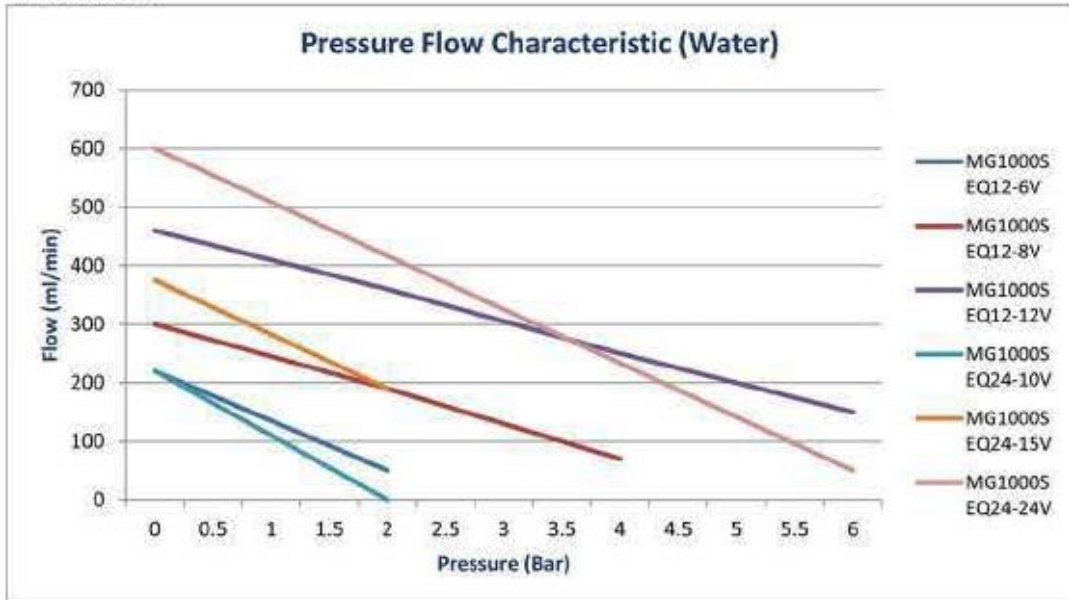
Connectors to suit 4mm bore tubing



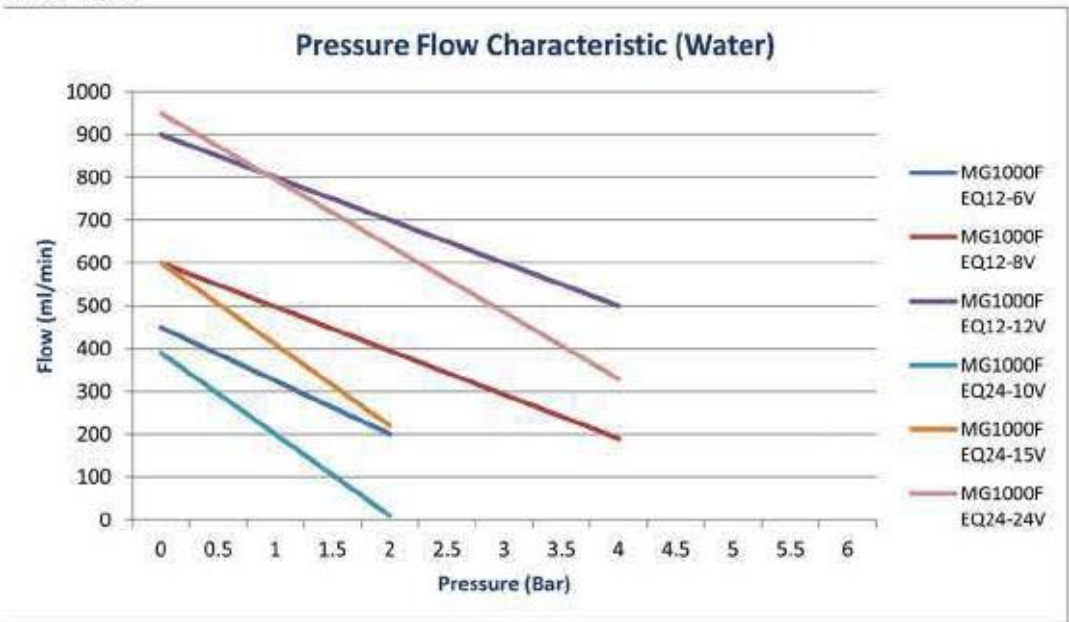
RS	MPN	Pump	Controller	Input (V)	Power (W)	Flow (ml/min)	Pressure (Bar)
8170769	MG1000F-PK-M-12	MG1000F	EQ12	6	8	450	2.0
				8	16.6	600	4.0
				10	27.6	760	6.0
				12	33.2	900	6.0
8170762	MG1000F-PK-M-24	MG1000F	EQ24	10	6.3	390	2.0
				15	10.4	600	2.0
				20	20.8	800	4.0
				24	33.6	950	6.0

Pump supplied with controller as indicated in the table above. Stock number 8170738 will require a separate controller (performance as indicated by table above).

MG1000S



MG1000F



Pressure shown is the not to exceed value. All MG1000 pump variants are capable of more than the indicated figure but exceeding this may result in damage to the pump.