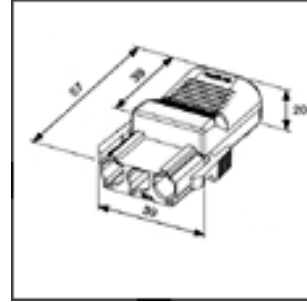


3-pole plug with strain-relief

For flexible and rigid wires. In connection with flexible wires use of ferrules is recommended.
Wire cross-section: 0.75-2.5 mm². Strain-relief for cables with outer diameter of 6.6-12.0 mm.



EAN	Art.No	Description	Colour	Pole markings
6418677109003	NAC 31S.W	Plug	White	1,PE,N