


**Ordering number C12490\_SIRI-DOME**

Family	Siri	FWHM	142 degrees
Type	Lens	Efficiency	97 %
LED	LUXEON A	cd/lm	0.260
Color	Clear	Gerber File	Available
Diameter	13.9 + 13.9 mm		
Height	4.9 mm		
Style	Square		
Optic Material	PMMA		
Holder Material	-		
Fastening	Pin, glue		
Status	Ready		

Lens designed to protect LED without effect to LED original beam

**Ordering number CA13014\_SIRI-DIFF**

Family	Siri	FWHM	142 degrees
Type	Assembly	Efficiency	(simulated) 0 %
LED	LUXEON A	cd/lm	-
Color	Clear	Gerber File	Available
Diameter	13.9 + 13.9 mm		
Height	5.3 mm		
Style	Square		
Optic Material	PMMA		
Holder Material	-		
Fastening	Tape		
Status	Ready		

**Ordering number CA13013\_SIRI-DOME**

Family	Siri	FWHM	144 degrees
Type	Assembly	Efficiency	97 %
LED	LUXEON A	cd/lm	0.260
Color	Clear	Gerber File	Available
Diameter	13.9 + 13.9 mm		
Height	5.3 mm		
Style	Square		
Optic Material	PMMA		
Holder Material	-		
Fastening	Pin, tape		
Status	Ready		

**NOTE: The typical divergence will be changed by different color, chip size and chip position tolerance. The typical total divergence is the full angle measured where the luminous intensity is half of the peak value.**



## PRODUCT DATASHEET

### Siri series

last update 15/2/2013

PHILIPS  
LUMILEDS

#### GENERAL INFORMATION

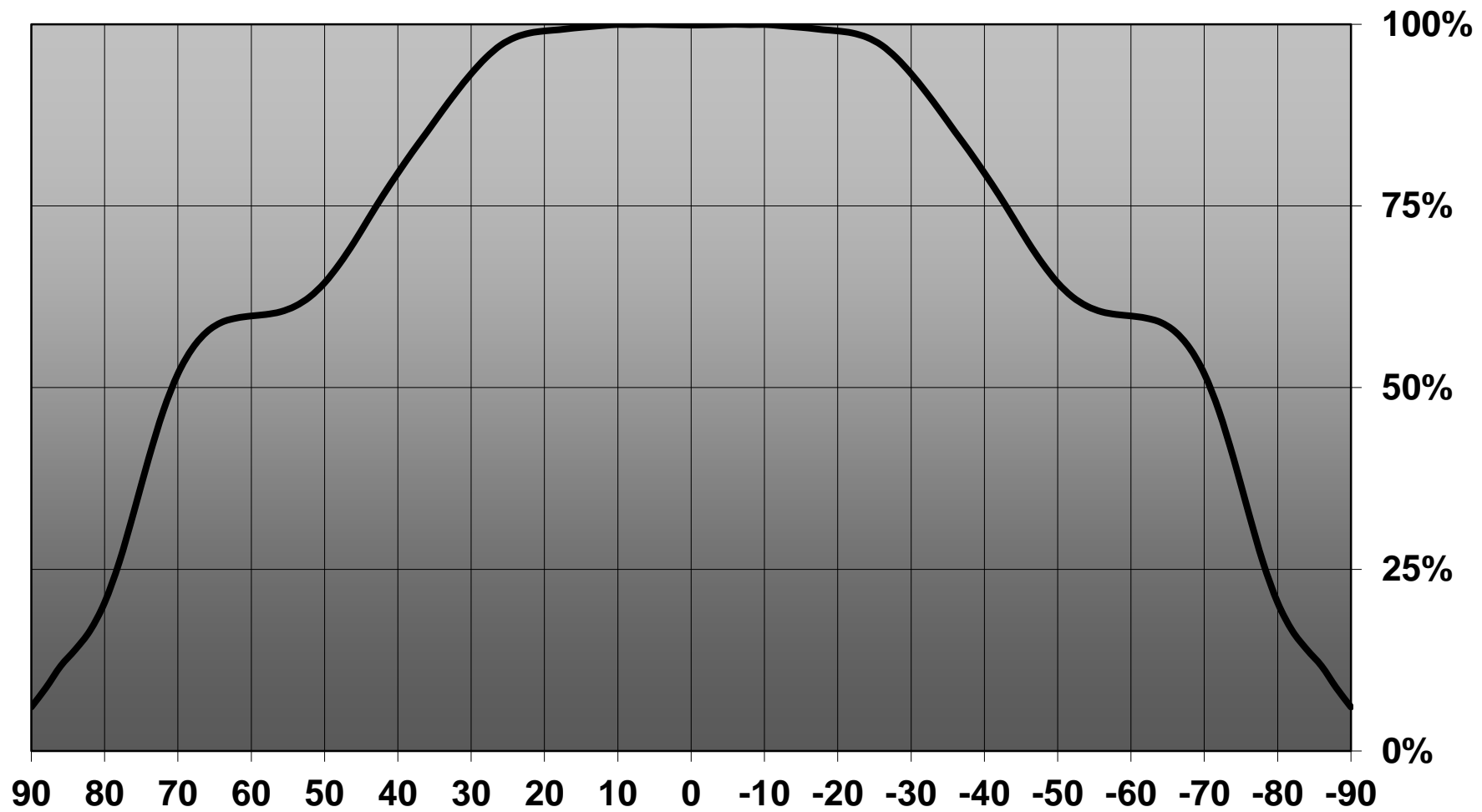
- Product series especially designed & optimized for LUXEON A series of LEDs.
- Special care taken to make light distribution as uniform as possible.
- Lens material optical grade PMMA with high UV and temperature resistance. Allows use of high current and temperature conditions.

Please find more information about used material from below:

[http://ledil.fi/sites/default/files/Documents/Technical/Material/PMMA%20N%20UL94\\_Yellow%20Card.pdf](http://ledil.fi/sites/default/files/Documents/Technical/Material/PMMA%20N%20UL94_Yellow%20Card.pdf)

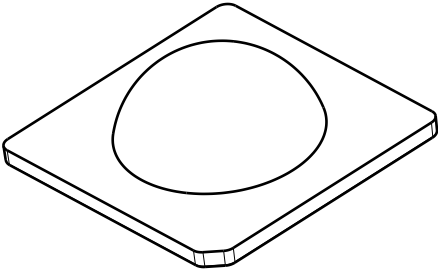
<http://ledil.fi/sites/default/files/Documents/Technical/Material/PMMA%20N%20PLEXIGLAS-Datasheet.pdf>

Relative intensity of CA13014\_SIRI-DIFF (Luxeon A)

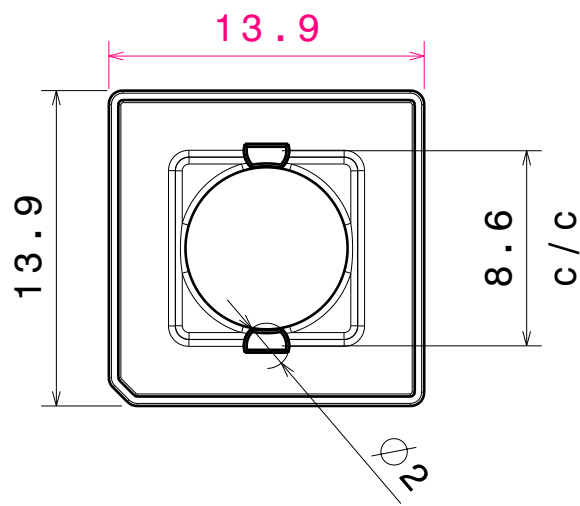
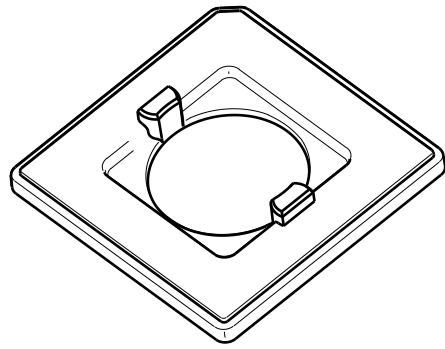


D C B A

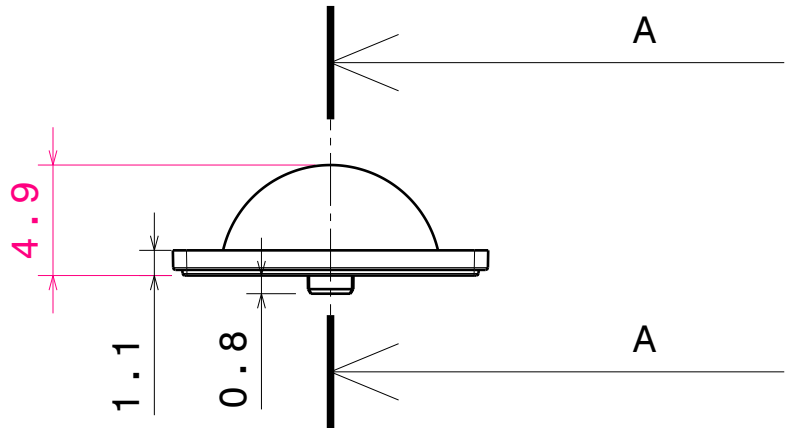
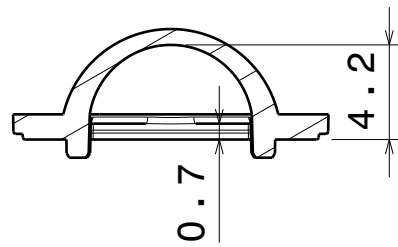
4



3



2



1

MATERIALS  
Lens: PMMA

This drawing is our property.  
It can't be reproduced  
or communicated without  
our written agreement.



Ledil Oy  
Salorankatu 10  
FIN-24100 SALO  
Finland

DRAWING TITLE

Datasheet Siri-Dome & Siri-Diff

DRAWN BY  
ah

DATE  
3.1.2012

CHECKED BY  
sn

DATE  
3.1.2012

SIZE  
A4

DRAWING NUMBER

REV  
2

DESIGNED BY  
pv

DATE  
23.11.2011

SCALE

3:1

WEIGHT (g)

SHEET

1/1

D A