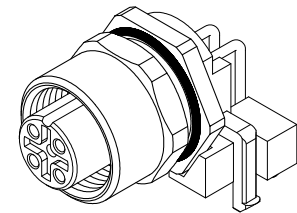
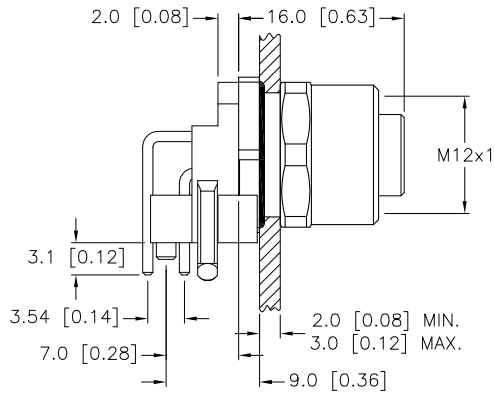
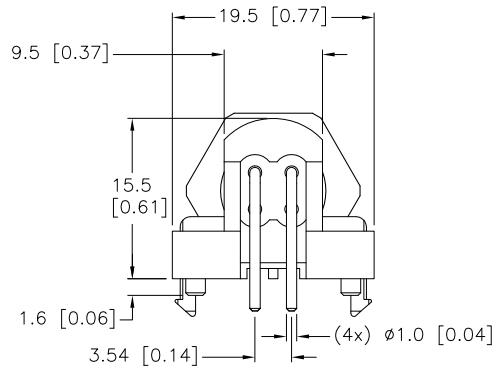


SPECIFICATIONS	
CONTACT CARRIER MATERIAL	NYLON OR TPU
CONTACT MATERIAL/PLATING	BRASS/GOLD
HOUSING & LOCKNUT MATERIAL/PLATING	ZINC/NICKEL
RATED CURRENT [A]	4.0 A
RATED VOLTAGE [V]	250 V
NUMBER OF CONDUCTORS [AWG]	PRINTED CIRCUIT PINS
TEMPERATURE RATING	-25°C to +85°C (-13°F to +185°F)
PROTECTION CLASS	MEETS IEC IP68



ISOMETRIC VIEW

SOURCE DRAWING - FOR REFERENCE ONLY

NOTES:  
1. BOARD THICKNESS IS 1.6mm [0.06"] MAX.

RELATED DOCUMENTS 1. 2. 3. 4.	3RD ANGLE PROJECTION 	THIS DRAWING IS PROPERTY OF TURCK INC. USE OF THIS DOCUMENT WITHOUT WRITTEN PERMISSION IS PROHIBITED.		3000 CAMPUS DRIVE MINNEAPOLIS, MN 55441 1-800-544-7769 (763) 553-7300 (763) 553-0708 fax turck.com	
	MATERIAL	DRFT RDS	DATE 09/17/04	DESCRIPTION WFKFDH 4.4	
FINISH	ALL DIMENSIONS DISPLAYED ON THIS DRAWING ARE FOR REFERENCE ONLY	DSGN	SCALE 1=.8	IDENTIFICATION NO. <b>MILLIMETER [ INCH ]</b> U0981-90 <b>B</b>	
	CONTACT TURCK FOR MORE INFORMATION	UNIT OF MEASUREMENT		DO NOT SCALE THIS DRAWING	
B	DRAWING PROCESSED AS PART OF ECO 33971	CBM	04/07/11	33971	FILE: U0981-90
REV	DESCRIPTION	BY	DATE	ECO NO.	SHEET 1 OF 1