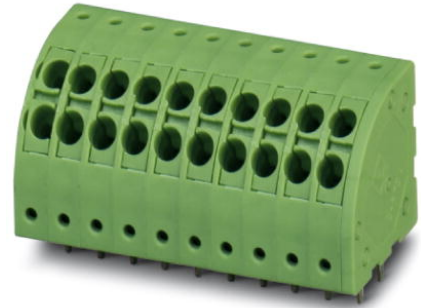


## PTDA 1,5/ 7-3,5

Order No.: 1724977

The figure shows a 10-position version of the product



PC terminal block, Nominal current: 13.5 A, Nom. voltage: 200 V,  
Pitch: 3.5 mm, Number of positions: 7, Type of connection: Spring-  
cage conn., Assembly: Soldering, Conductor/PCB connection  
direction: 45 °, Color: green

### Commercial data

|                          |                    |
|--------------------------|--------------------|
| EAN                      | 4046356129008      |
| Pack                     | 50 pcs.            |
| Customs tariff           | 85366990           |
| Weight/Piece             | 0.00787 KG         |
| Catalog page information | Page 403 (CC-2007) |

### Product notes

WEEE/RoHS-compliant since:  
08/09/2007



[http://  
www.download.phoenixcontact.com](http://www.download.phoenixcontact.com)  
Please note that the data given  
here has been taken from the  
online catalog. For comprehensive  
information and data, please refer  
to the user documentation. The  
General Terms and Conditions of  
Use apply to Internet downloads.

### Technical data

#### Dimensions / positions

|                     |        |
|---------------------|--------|
| Pitch               | 3.5 mm |
| Dimension a         | 21 mm  |
| Number of positions | 7      |

|                |           |
|----------------|-----------|
| Pin dimensions | 1,0 x 0,4 |
| Pin spacing    | 3.5 mm    |
| Hole diameter  | 1.3 mm    |

#### Technical data

|                                    |                     |
|------------------------------------|---------------------|
| Insulating material group          | I                   |
| Rated surge voltage (III/3)        | 2.5 kV              |
| Rated surge voltage (III/2)        | 2.5 kV              |
| Rated surge voltage (II/2)         | 2.5 kV              |
| Rated voltage (III/2)              | 240 V               |
| Rated voltage (II/2)               | 400 V               |
| Connection in acc. with standard   | EN-VDE              |
| Nominal current $I_N$              | 13.5 A              |
| Nominal voltage $U_N$              | 200 V               |
| Nominal cross section              | 1.5 mm <sup>2</sup> |
| Maximum load current               | 13.5 A              |
| Insulating material                | PA                  |
| Inflammability class acc. to UL 94 | V0                  |
| Stripping length                   | 10 mm               |

#### Connection data

|  |                     |
|--|---------------------|
| Conductor cross section solid min.   | 0.2 mm <sup>2</sup> |
| Conductor cross section solid max.   | 1.5 mm <sup>2</sup> |
| Conductor cross section stranded min.                                      | 0.2 mm <sup>2</sup> |
| Conductor cross section stranded max.                                      | 1.5 mm <sup>2</sup> |
| Conductor cross section stranded, with ferrule without plastic sleeve min. | 0.5 mm <sup>2</sup> |
| Conductor cross section stranded, with ferrule without plastic sleeve max. | 1.5 mm <sup>2</sup> |
| Conductor cross section stranded, with ferrule with plastic sleeve min.    | 0.5 mm <sup>2</sup> |
| Conductor cross section stranded, with ferrule with plastic sleeve max.    | 0.5 mm <sup>2</sup> |
| Conductor cross section AWG/kcmil min.                                     | 24                  |
| Conductor cross section AWG/kcmil max                                      | 16                  |
| 2 conductors with same cross section, solid min.                           | 0.2 mm <sup>2</sup> |
| 2 conductors with same cross section, solid max.                           | 1.5 mm <sup>2</sup> |

|   |                     |
|---|---------------------|
| 2 conductors with same cross section, stranded min.                                     | 0.2 mm <sup>2</sup> |
| 2 conductors with same cross section, stranded max.                                     | 1.5 mm <sup>2</sup> |
| 2 conductors with same cross section, stranded, ferrules without plastic sleeve, min.   | 0.5 mm <sup>2</sup> |
| 2 conductors with same cross section, stranded, ferrules without plastic sleeve, max.   | 1.5 mm <sup>2</sup> |
| 2 conductors with same cross section, stranded, TWIN ferrules with plastic sleeve, min. | 0.5 mm <sup>2</sup> |
| 2 conductors with same cross section, stranded, TWIN ferrules with plastic sleeve, max. | 0.5 mm <sup>2</sup> |

### Certificates / Approvals



Certification

CUL, UL

#### CUL

|                       |       |
|-----------------------|-------|
| Nominal voltage $U_N$ | 300 V |
| Nominal current $I_N$ | 12 A  |
| AWG/kcmil             | 24-16 |

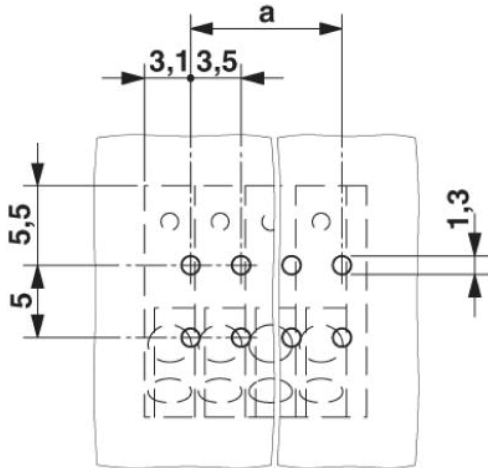
#### UL

|                       |       |
|-----------------------|-------|
| Nominal voltage $U_N$ | 300 V |
| Nominal current $I_N$ | 12 A  |
| AWG/kcmil             | 24-16 |

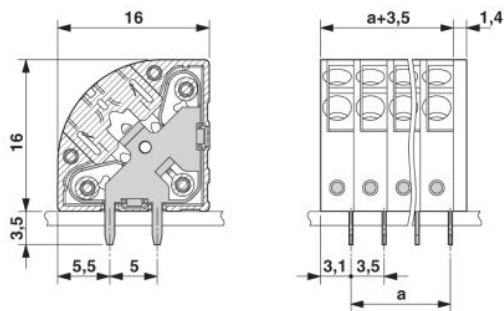
---

## Drawings

### Drilling diagram



### Dimensioned drawing



---

**Address**

PHOENIX CONTACT GmbH & Co. KG  
Flachmarktstr. 8  
32825 Blomberg, Germany  
Phone +49 5235 3 00  
Fax +49 5235 3 41200  
<http://www.phoenixcontact.com>



© 2009 Phoenix Contact  
Technical modifications reserved;