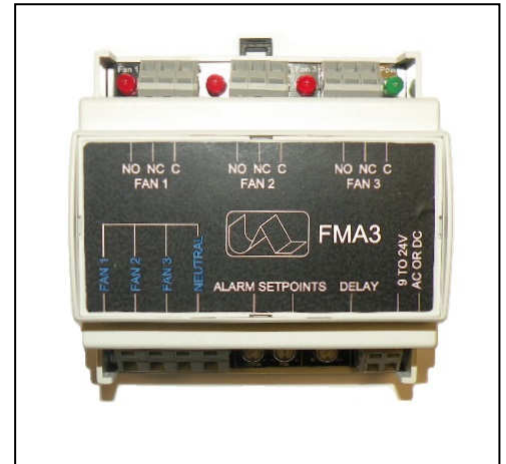


3-Channel AC/DC Variable Fan Failure Alarm in a DIN Mountable Enclosure

FEATURES

- Detects open and short circuit failures.
- Standard Din Rail mount Enclosure.
- Adjustable set point.
- AC or DC Fans.
- Power indication LED.
- 3x fan failure indication LED.
- Variable alarm delay.
- 3 x Volt free Relay outputs (1 per fan).
- Works with fans up to *500mA.
- 9-24V AC/DC supply.



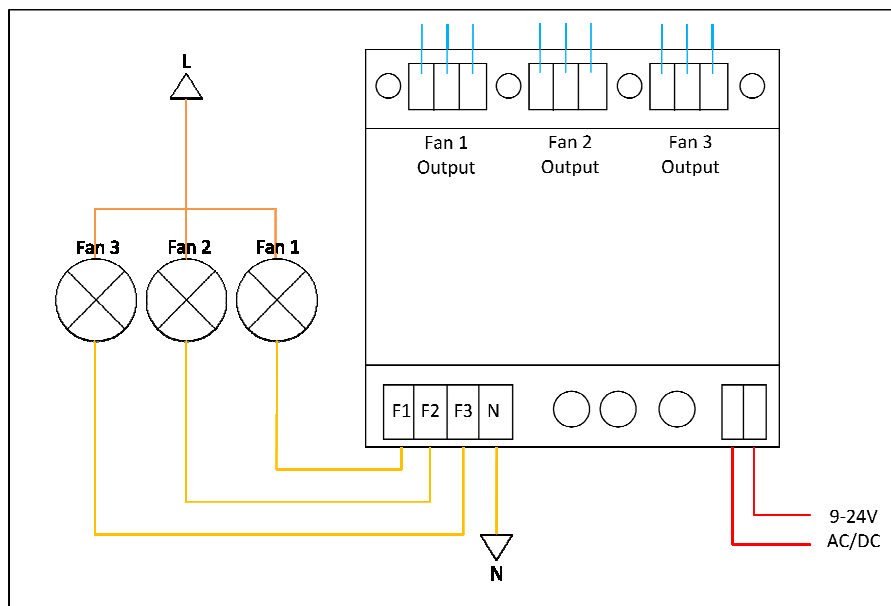
SPECIFICATION

Maximum operating temperature:	70°C
Dimensions:	70mm (H) x 56mm (W) x 122mm (D)
Supply Voltage:	9-24V AC/DC
Alarm delay range:	1 to 60 seconds
Fan type:	AC/DC
Maximum fan voltage:	240V
Maximum fan current:	*500mA
Output relay rating:	125V, 2A
Storage temperature:	-20°C to +65°C

INSTALLATION

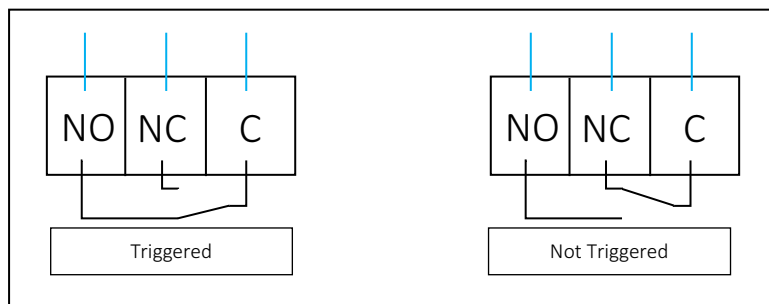
FAN & POWER CONNECTION

For best operation the neutral returns of each fan must be connected to terminals F1, F2 and F3 as shown below. The N terminal must be connected to Neutral. An external 9-24V AC/DC power supply is required to power the module.



ALARM OUTPUT CONNECTION

Each alarm output contains a voltage-free single pole double throw relay contact as shown below.



SETUP & OPERATION

ADJUSTING ALARM LEVEL

The alarm level is set using the “Coarse” and “Fine” trimmers at the bottom of the module. It is recommended that upon initial setup the *Fine* trimmer is left in the centre position, and the Coarse trimmer is turned from minus to plus until the alarm outputs disengage.

ADJUSTING DELAY TIME

The alarm delay time can be set by turning the “Delay” trimmer clockwise. Fully anticlockwise gives a delay of 1s and fully clockwise gives a delay of 60s.

LED INDICATION

Red LED: ON = Fault has been detected on fan channel. OFF = No fault detected
Green LED: ON = Power to control circuit is OK. OFF = No power to control circuit.

SAFETY

INSTALLATION

It is recommended that installation and maintenance of this equipment should be carried out by suitably qualified/trained personnel with reference to the current edition of the I.E.E. wiring regulations (BS7671) The regulations contain important requirements regarding the safety of electrical equipment. For International Standards refer to I.E.C/ Directive IEC 950.

MAINTENANCE

All power to the fans and external power supply must be isolated before carrying out any work on this module.

FUSING

It is recommended that all fans and the external power supply be fused externally. See SRA Data sheet X10255 for further information.

ORDERING INFORMATION

Part No: FMA3-500
Stock Code: A86250

NOTES *Custom line voltages are available on request

Southport Business Park, Wight Moss Way, Southport, PR8 4HQ

Tel: +44 (0)1704 516500 Fax: +44(0)1704 516501

email:sales@united-automation.com Web:www.united-automation.com