
Ordering number C12049
Description 1

Family	Strada-Forward	FWHM	Asym degrees
Type	Lens	Efficiency	92 %
LED	Double Dome (GM2BB)	cd/lm	-
Color	Clear	Gerber File	Available
Diameter	15.4 x 19.6 mm		
Height	8.2 mm		
Style	Rectang		http://www.ledil.fi/Strada-F_Fully_Asymmetrical_Forward_Thro
Optic Material	PMMA		
Holder Material	-		
Fastening	-		
Status	Ready		

Ordering number CA12050
Description 1

Family	Strada-Forward	FWHM	Asym degrees
Type	Assembly	Efficiency	92 %
LED	Double Dome (GM2BB)	cd/lm	-
Color	Clear	Gerber File	Available
Diameter	15.4 x 19.6 mm		
Height	8.35 mm		
Style	Rectang		http://www.ledil.fi/Strada-F_Fully_Asymmetrical_Forward_Thro
Optic Material	PMMA		
Holder Material	-		
Fastening	-		
Status	Ready		



PRODUCT DATASHEET
Strada-Forward series
last update 31/12/2012

SHARP

NOTE: The typical divergence will be changed by different color, chip size and chip position tolerance. The typical total divergence is the full angle measured where the luminous intensity is half of the peak value.

D

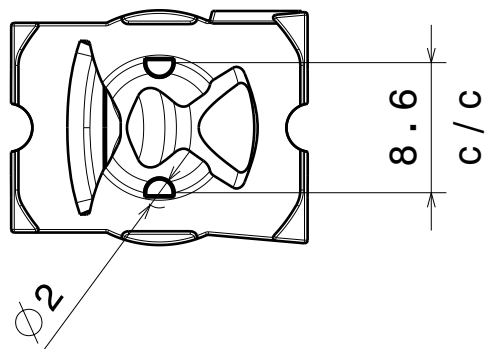
C

B

A

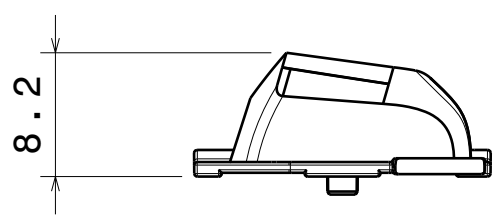
4

4



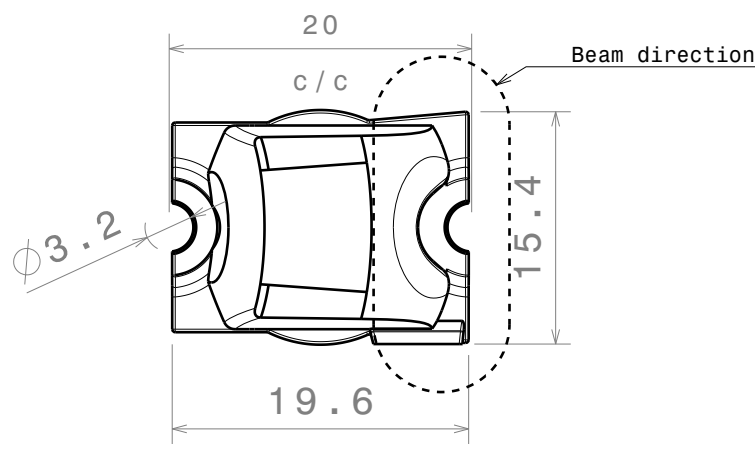
3

3



2

2



MATERIALS
Lens: PMMA

This drawing is our property.
It can't be reproduced
or communicated without
our written agreement.



Ledil Oy
Salorankatu 10
24240 SALO
Finland

DRAWING TITLE

Datasheet Strada-FT lens

DRAWN BY
ah

DATE
6.7.2012

CHECKED BY
ah

DATE
6.7.2012

SIZE
A4

DRAWING NUMBER

REV
2

DESIGNED BY
hh

DATE
15.3.2011

SCALE 2:1

WEIGHT (g)

SHEET

1/1

D

A

1

1