

CAM SWITCHES

▶ AMMETER SWITCHES

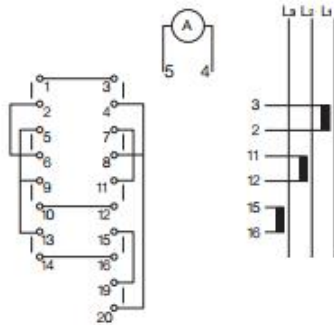
 Technical Info (p. 224)

WITHOUT COMMON POINT

IP40 standard - IP65 available upon request

Contact Configuration - 8157

No. of CONTACTS	0	L1	L2	L3
1 - 2		X	X	
3 - 4	X	X		
5 - 6	X		X	
7 - 8		X	X	
9 - 10	X	X		
11 - 12		X	X	
13 - 14			X	X
15 - 16	X		X	
19 - 20			X	X



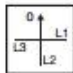
Mounting and Dimensions see pg 226 to 229



NY17AQ1



NY17AX80

Switch Series	General use rating - amps	Mounting	Number of contacts	Positions	Designation	Part Number
PR12	12	TWO FIXING SCREWS	9		PR12 8157 A4 E Q48PN50	NY17AQ1
PR12	12	Ø22MM SINGLE HOLE	9		PR12 8157 A4 E N48MD50	NY17AX80