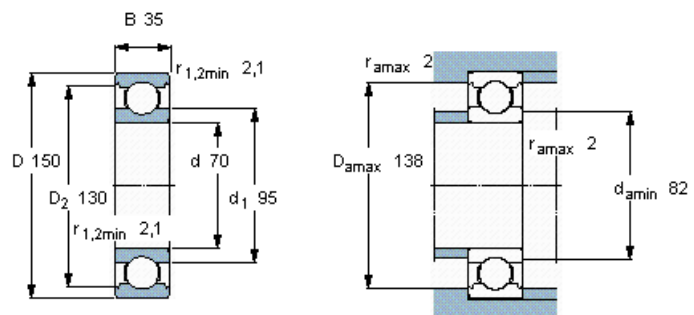


Deep groove ball bearings, single row

Principal dimensions			Basic load ratings		Fatigue load limit P_u	Speed ratings		Mass	Designation
d	D	B	dynamic	static		Reference speed	Limiting speed		
mm			kN		kN	r/min		kg	-
70	150	35	111	68	2,75	9500	6300	2,50	6314 *



Calculation factors

$k_r = 0,03$

$f_0 = 13$