



MULTIBAND

Jubilee® Multiband (also known as, "Lightning Stranglehold® Banding") is a self assembly, endless banding, or screw band system, which allows the user to cut the band to the desired length.

Used in areas such as heating, ventilation and air conditioning (HVAC), sign fixing, conduit and cable retention and lagging, this product is highly versatile.

The Jubilee® Multiband system comprises a worm drive steel strip that is cut to the length required, and screw housings which slide onto the band. The band can then be tightened onto pipes or ducts of almost any diameter. A number of screw and housing designs and two band widths are available to suit any application.



- Choose Multiband to make a clip to any size.
- Quick, versatile and convenient.
- Simply cut to length, add a housing, insert a screw and tighten to size.



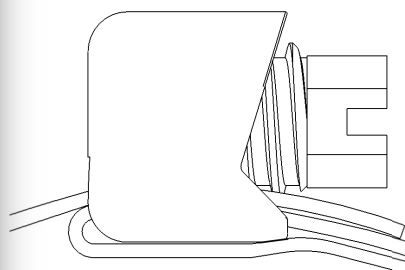
Available in:-

Zinc Plated Mild Steel

304 Stainless Steel

MULTIBAND

Zinc Plated Mild Steel:-



Part No.	Adjustment mm	Band Width mm	Band Thickness mm	Recommended Torque Nm	Maximum Torque Nm	Maximum Pressure PSI	Part No.
MB11MS	Cut to length	11.0	0.82	3.4	4.5	n/a	MB11MS

Component Parts for MB11MS:-



Banding in dispensers of 10 m

Part No. **MB1701**

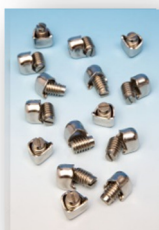
- 11mm wide
- 10 metre roll
- Zinc plated mild steel



Banding in dispensers of 30 m

Part No. **MB1702**

- 11mm wide
- 30 metre roll
- Zinc plated mild steel



Housings/screws for use with 11mm Multiband

Part No. **MB1703 box of 100**
MB1704 box of 25

- Solid housing
- 7mm A/F hexagonal screw
- Zinc plated mild steel



Captive housings/screws for use with 11mm Multiband

Part No. **MB1706**

- 7mm A/F hexagonal screw
- Box of 25 sets
- Zinc plated mild steel



Housings/Allen screws for use with 11mm Multiband

Part No. **MB1705**

- Solid housing
- 5/16" recess hexagonal key slot
- Box of 100 sets
- Zinc plated mild steel



Handy Pack

Part No. **MB1708**

- 11mm wide
- 10 metre roll
- 25 solid housings/screws
- Zinc plated mild steel

Corrosion Resistance: 240 hours

Fastening: 7mm

Industry Recommendations:-

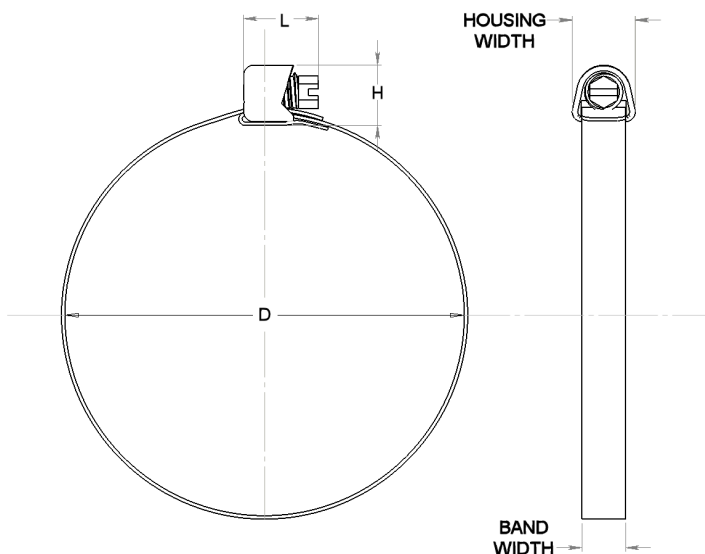


Zinc Plated Mild Steel

The finest hose clip
in the world



MULTIBAND 304 Stainless Steel:- 11mm Wide



Part No.	Adjustment mm	Band Width mm	Band Thickness mm	Recommended Torque Nm	Maximum Torque Nm	Maximum Pressure Psi	Part No.
MB11SS	Cut to length	11.0	0.80	3.4	4.5	n/a	MB11SS

Component Parts for MB11SS:-



Banding in dispensers of 30 m

Part No. **MB1802**

- 11mm wide
- 30 metre roll
- 304 Stainless steel



Handy Pack

Part No. **MB1806**

- 11mm wide
- 10 metre roll
- 25 solid housings/screws
- 304 Stainless steel



Housings/screws for use with 11mm Multiband

Part No. **MB1803**

- Solid housing
- 7mm A/F hexagonal screw
- Box of 100
- 304 Stainless steel



Captive housings/screws for use with 11mm Multiband

Part No. **MB1805**

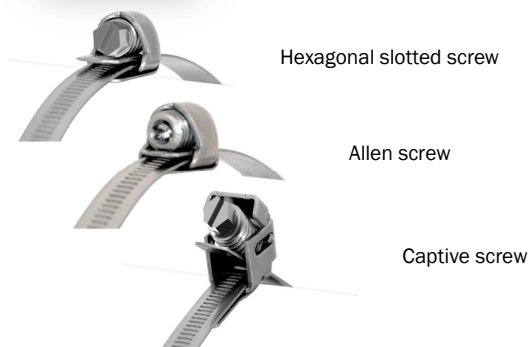
- 7mm A/F hexagonal screw
- Box of 100 sets
- 304 Stainless steel



Housings/Allen screws for use with 11mm Multiband

Part No. **MB1804**

- Solid housing
- 5/16" recess hexagonal key slot
- Box of 100 sets
- 304 Stainless steel



Corrosion Resistance: 1000 hours

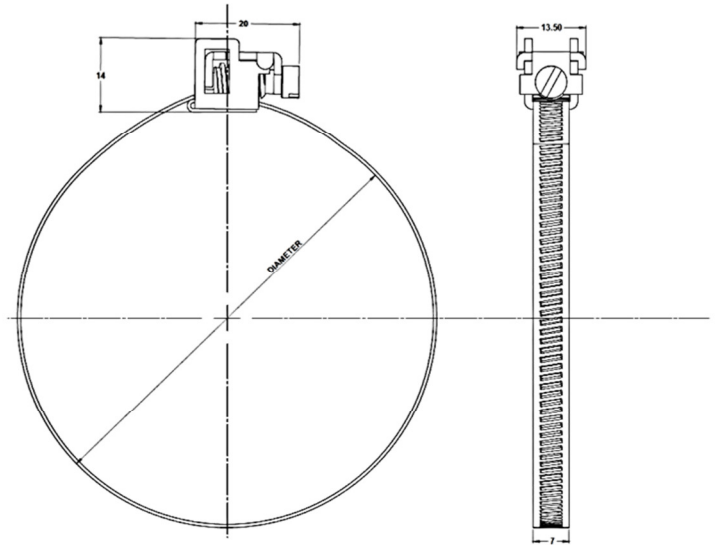
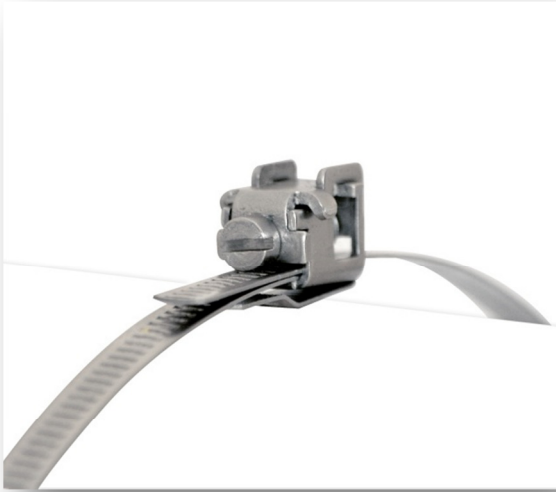
Fastening: 7mm

Industry Recommendations:-



304 Stainless Steel

MULTIBAND 304 Slimline Stainless Steel:- 7mm Wide



Part No.	Adjustment mm	Band Width mm	Band Thickness mm	Recommended Torque Nm	Maximum Torque Nm	Maximum Pressure PSI	Part No.
MB07SS	Cut to length	7.0	0.56	3.0	4.0	n/a	MB07SS

Component Parts for MB07SS:-



Banding in dispensers of 25 m

Part No. **MB1601**

- 7mm wide
- 25 metre roll
- 304 Stainless steel



Banding in dispensers of 50 m

Part No. **MB1602**

- 7mm wide
- 50 metre roll
- 304 Stainless steel



Flip/Lock housings/screws for use with 7mm Multiband

Part No. **MB1603 box of 25**
MB1604 box of 100

- 304 Stainless steel



Flip/lock screw

Corrosion Resistance: 1000 hours

Fastening: 7mm

Industry Recommendations:-



304 Stainless Steel

**The finest hose clip
in the world**