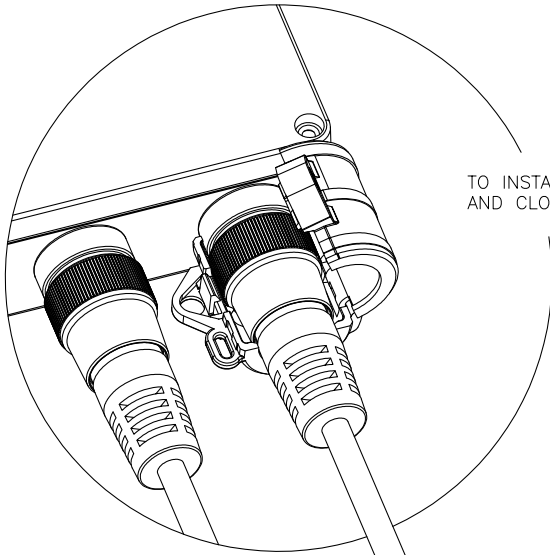


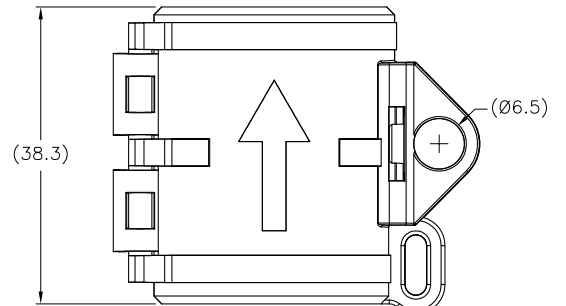
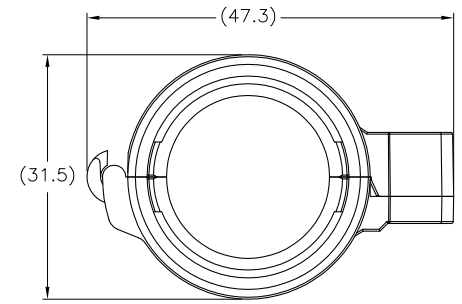
SPECIFICATIONS

HOUSING MATERIAL/COLOR

NYLON 66/BLACK

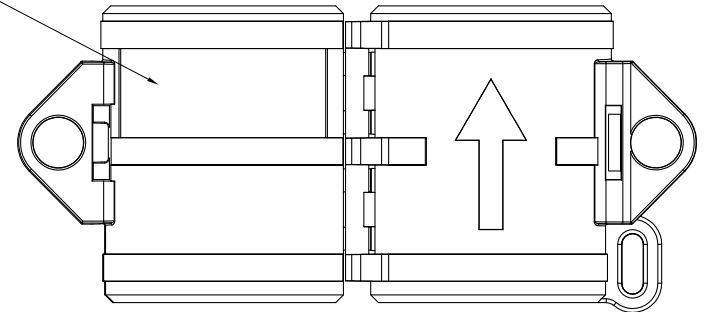


TO INSTALL LOCKOUT DEVICE, PLACE AROUND CORDSET END AND CLOSE UNTIL CONNECTOR SNAPS CLOSED.

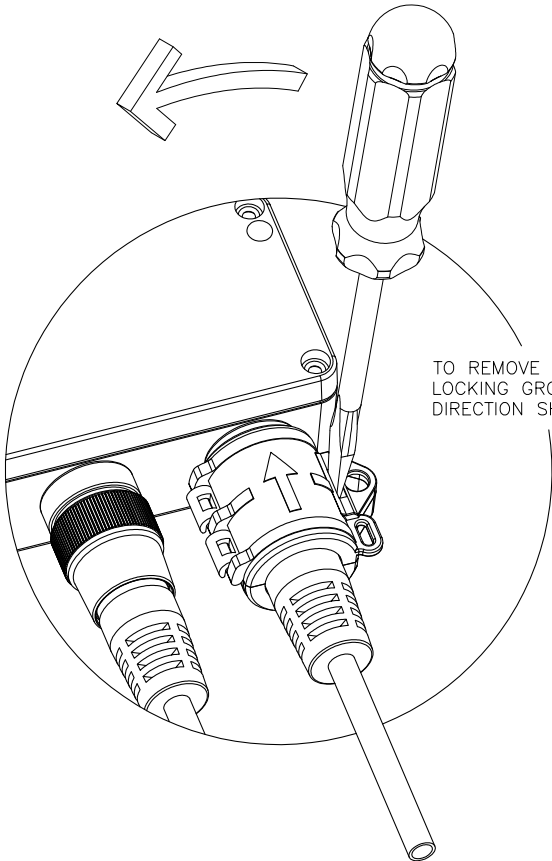


RECEPTACLE FOR OPTIONAL TETHER STRAP

CAUTION LABEL



OPENED VIEW OF LOCKOUT DEVICE  
SOURCE DRAWING - FOR REFERENCE ONLY



TO REMOVE LOCKOUT DEVICE, INSERT SMALL SCREWDRIVER INTO LOCKING GROOVE AS SHOWN IN PICTURE. ROTATE SCREWDRIVER IN DIRECTION SHOWN UNTIL LOCKING DEVICE RELEASES.

LOCKOUT DEVICE FITS TURCK MOLDED MINIFAST A SIZED CORDSETS TO MINIFAST RECEPTACLES.

RELATED DOCUMENTS		3RD ANGLE PROJECTION		THIS DRAWING IS PROPERTY OF TURCK INC. USE OF THIS DOCUMENT WITHOUT WRITTEN PERMISSION IS PROHIBITED.		3000 CAMPUS DRIVE MINNEAPOLIS, MN 55441 1-800-544-7769 (763) 553-7300 (763) 553-0708 fax turck.com	
1.				DRFT RDS		DATE 12/29/04	
2.				DSGN		SCALE 1=1.0	
3.		ALL DIMENSIONS DISPLAYED ON THIS DRAWING ARE FOR REFERENCE ONLY		UNIT OF MEASUREMENT		DESCRIPTION	
4.				MILLIMETERS		LOCK-MINI (10/BAG)	
MATERIAL		CONTACT TURCK FOR MORE INFORMATION		IDENTIFICATION NO.		REV	
FINISH				A0884		B	
DO NOT SCALE THIS DRAWING		FILE: A0884		SHEET 1 OF 1			

B	UPDAET GRAPHICS TO CURRENT DESIGN, SEE ECO	RWC	11/07/08	21897
REV	DESCRIPTION	BY	DATE	ECO NO.