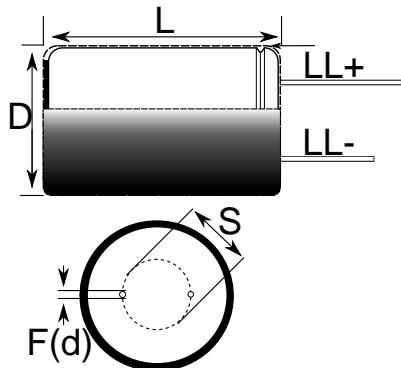


Capacitor, aluminum, 330 uF, +/-20% Tol, -40/+105C, 35 VDC@105C



Note: '()' correspond to the letters used in the product bulletin

Dimensions (mm)		
Symbol	Dimension	Tolerance
D	10	+/-0.5
L	15	+2
S	5	+/-0.5
LLPos	20	MIN
LLNeg	15	MIN
F	0.6	NOM

Packaging Specifications	
Package Kind:	Bulk
Package Type:	Bag
Package Quantity:	3000

General Information	
Supplier:	KEMET
Application:	105C Low Z
Part Type Description:	Low-Z Single Ended Aluminum Electrolytic
Lead Type:	Wire Leads
RoHS:	Yes

Specifications	
Capacitance:	330 uF
Voltage:	35 VDC
Tolerance:	+/-20%
Voltage:	44 VDC (Surge)
Life:	4000 Hrs
Rated Temperature:	105C
Temperature Range:	-40/+105C
Leakage Current:	115 uA
Leakage Condition:	2Min/20C
Dissipation Factor:	12%
Impedance Ratio -25C:	3.0
Impedance Ratio -40C:	2.0
Resistance/ESR:	0.038 Ohms (100kHz)
Current/Ripple Current:	1430 mAmps (100kHz 105C)