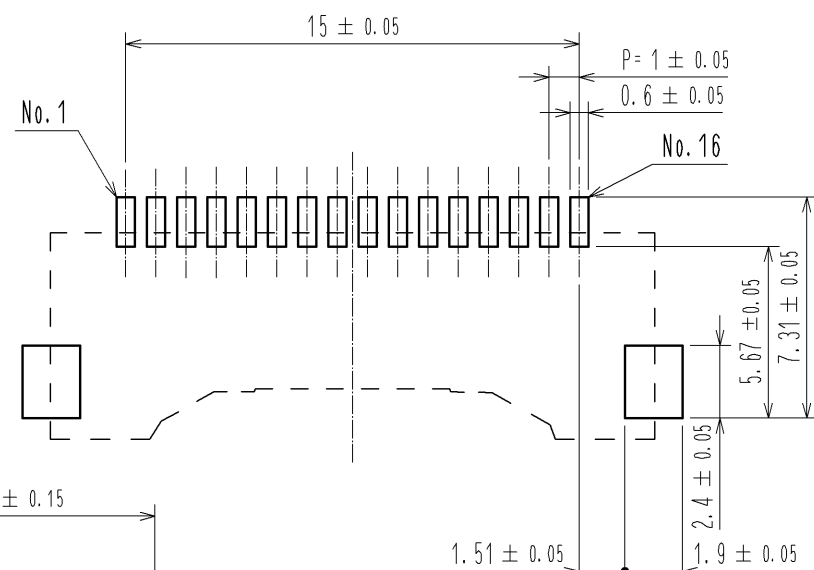
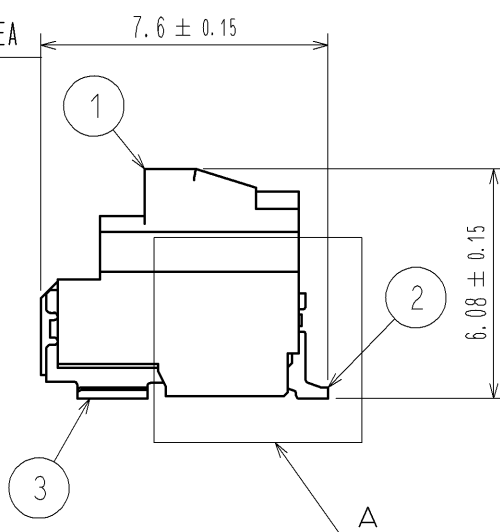
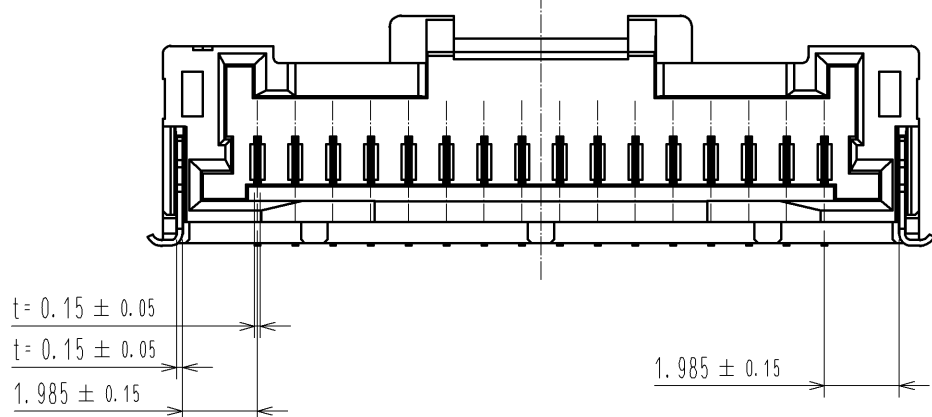
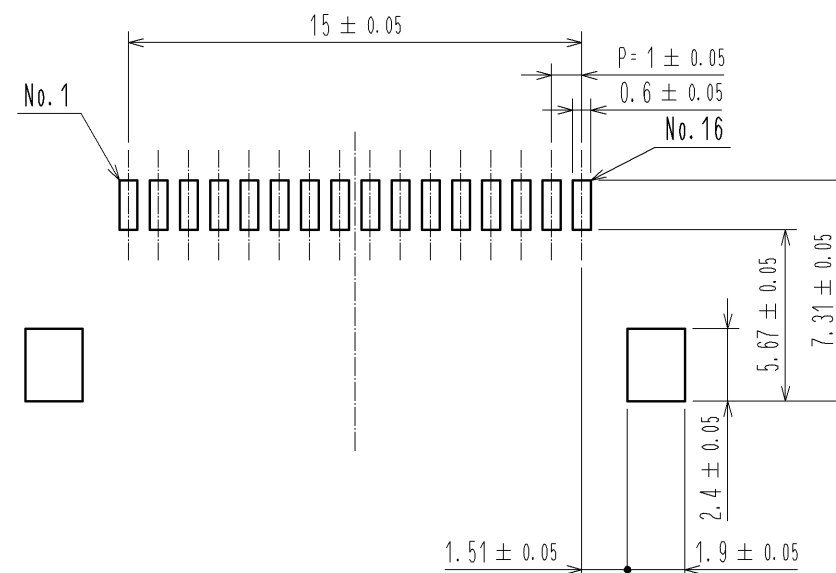


RECOMMENDED PCB LAYOUT
(MOUNTING SURFACE SIDE) (FREE)

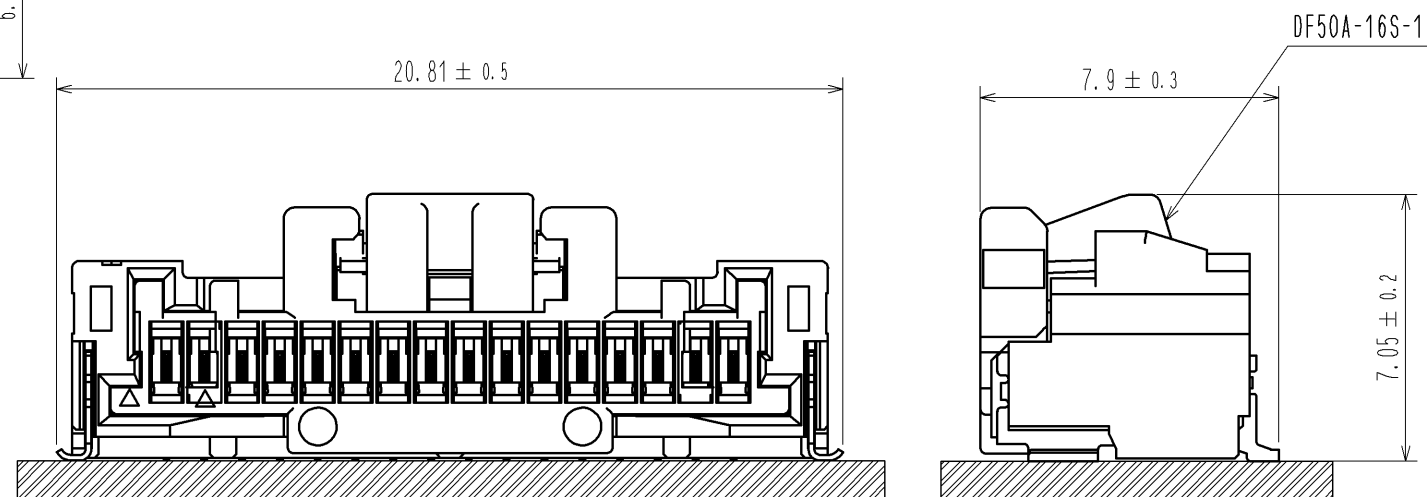


RECOMMENDED METAL MASK (FREE)

THICKNESS : 0.1mm
OPEN AREA RATIO:100%

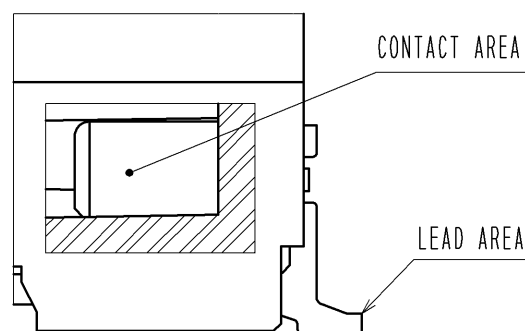


MATING FIGURE(5:1)



- NOTES 1. LEAD CO-PLANARITY SHALL BE 0.1mm MAX
2. PLEASE CONSULT HIROSE WHEN THE PRODUCT IS MONUTED TO FPC.

3	BRASS	CONTACT AREA : Sn PLATING 1μm MIN UNDER PLATING : Cu PLATING 0.3μm MIN	6	PS	REEL , BLACK
2	BRASS	CONTACT AREA : Au PLATING 0.05μm MIN LEAD AREA : Au PLATING 0.05μm MIN UNDER PLATING : Ni PLATING 1μm MIN	5	POLYESTER	CLEAR
1	LCP	BLACK , UL94V-0	4	PS	CLEAR
NO.	MATERIAL	FINISH , REMARKS	NO.	MATERIAL	CLEAR



UNITS mm	SCALE 5 : 1	COUNT	DESCRIPTION OF REVISIONS	DESIGNED	CHECKED	DATE
APPROVED : KI. AKIYAMA	12.07.02	DRAWING NO.	EDC3-337118-01			
CHECED : HK. UMEHARA	12.07.02	PART NO.	DF50A-16P-1H(51)			
DESIGNED : ST. SATO	12.06.29	CODE NO.	CL665-1045-9-51			
DRAWN : MI. SAKIMURA	12.06.28					

