

Islatrol® INXT120NL000-1

AC Power Line Filter

■ Surge Protection
For Business-Critical Continuity™

The Islatrol® INXT120NL000-1 is a 120 VAC, 60A, EMI/RFI filter. The INXT is a series connected device designed to filter electrical type transients impinging on electrical distribution of a traffic control cabinet.



General Technical Specifications

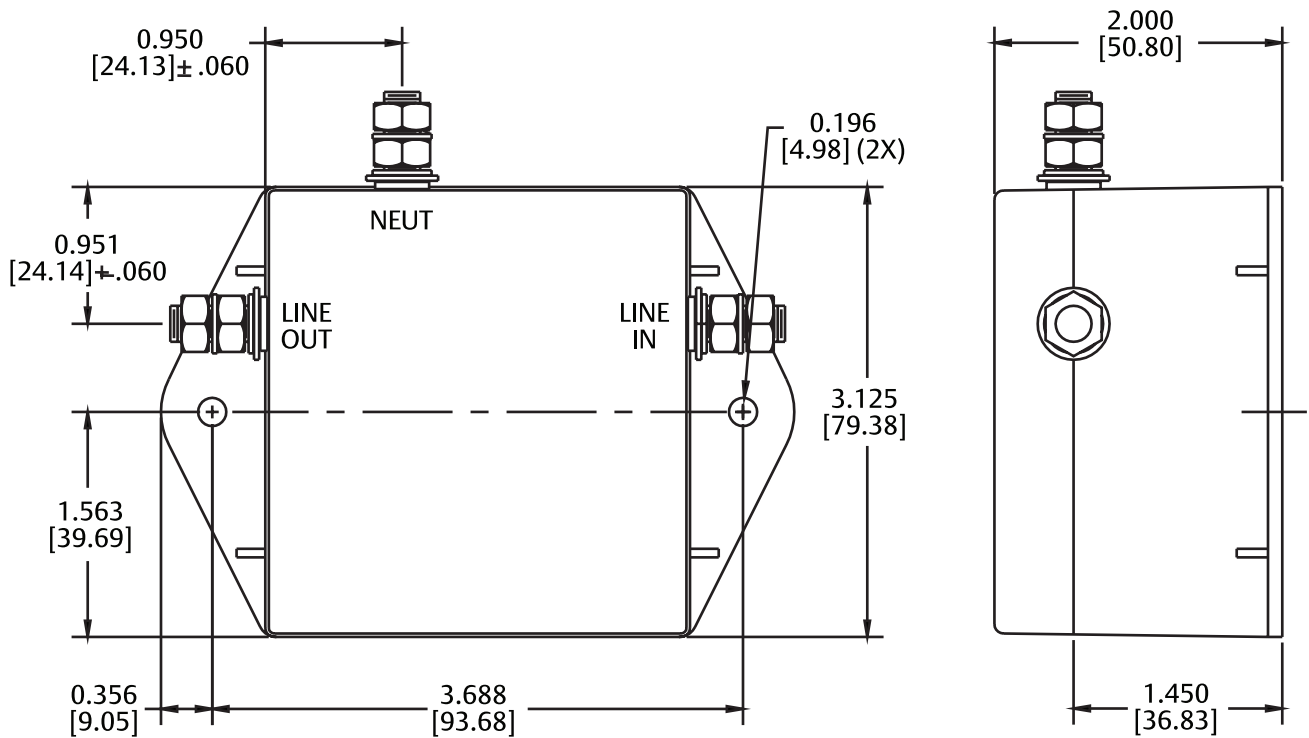
Part Number	Islatrol® INXT120NL000-1
Nominal Operating Voltage	120 VAC
Operating Voltage Range	120V ±25%
Operating Frequency Range	47-63 Hz
Connection Type	1/4 -20 Studs
Amperes	60 Amperes
Phase Configuration	Single Phase 2 wire (Line and Neutral)
Size	3.9" x 4.4" x 1.6"
Weight	2 lbs.
Maximum Continuous Operating Voltage	150 VAC(MCOV)
Load Surge Current Rating	
10 MSEC	5 x Nominal
1 SEC	3 x Nominal
5 SEC	2 x Nominal
Transient Reduction/Frequency Attenuation	50 dB min (200 KHz to 75 MHz)
Packaging	Black, high impact plastic case
Operating Temperature	-40°C to +45°C derate linearly to 70% @ 70°C
Operating Humidity	0 to 95% non-condensing
Operating Altitude	-100m to 2000m
Certifications	IEC-610 Complies with the requirements of UL1283
Warranty	5 Years

Features

- 60 Amp Series Filter
- 50 dB attenuation (200 KHz to 75 MHz)
- High impact thermoplastic enclosure
- Epoxy encapsulated
- 5 year limited warranty



Installation



Emerson Network Power.
The global leader in enabling
Business-Critical Continuity™.

- AC Power
- Embedded Computing
- Outside Plant
- Racks and Integrated Cabinets
- Connectivity
- Embedded Power
- Power Switching & Control
- Services
- DC Power
- Monitoring
- Precision Cooling
- Surge Protection

Emerson Network Power Contact information

www.emersonnetworkpower.com

Headquarters

Surge Protection
328 Water Street
Binghamton, NY 13901
T: (607) 721-8840
T: (800) 288-6169
F: (607) 722-8713
E: contactsurge@emerson.com

650 SW 27th Avenue
Ocala, FL 34471
T: (352) 732-3029
T: (800) 648-4076
F: (352) 867-1237

