



## Datasheet

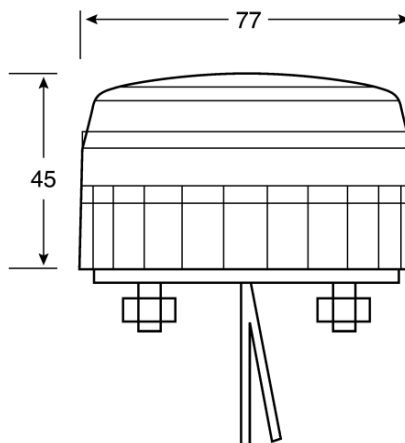
ENGLISH

Stock No: 235-916

# RS Pro Xenon Beacon, Amber, Flashing, Surface Mount, 10 → 100 V dc, 20 → 72 V ac



Dimensions (mm):



## Product Details

### Miniature Xenon Beacons

These xenon beacons have a low or standard profile and are available as a 1W, 2W or 5W version. The miniature beacons are ideal for a broad range of vehicular and industrial applications, particularly where protection rating or limited space is an issue. The beacons are sealed units offering IP67 protection, and are supplied fitted with either an amber or red lens.



ENGLISH

Low profile unit is only 45mm high  
Multiple voltages: 10-100Vdc (20-72Vac) version or separate 110Vac or 230Vac versions  
Low current consumption  
IP67 rated  
-30 to +50°C operating temperature  
Two point mounting

**Note**

These xenon beacons are sealed units.

**Approvals**

EMC - meets the requirements for on and off road applications covered by directives 95/54 and 89/336.

**Supplied with**

Lens and bulb.

## Specifications:

Supply Voltage	10 → 100 V dc, 20 → 72 V ac
Light Effect	Flashing
Lens Colour	Amber
Mounting Style	Surface Mount
Bulb Type	Xenon
Current Type	DC
Base Diameter	77mm
Housing Colour	Black
Lamp Included	Yes
Series	V10998
Height	45mm
Minimum Temperature	-30°C
Maximum Temperature	+50°C