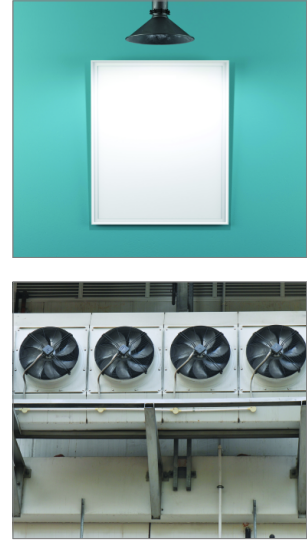
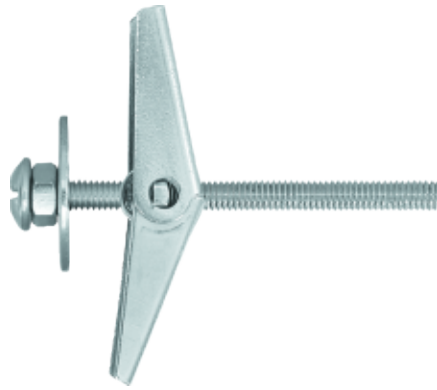


SPO Spring toggle

Cavity fixing with long threaded screw



Product information

Features and benefits

- Machine screw for ease of tightening
- Heavy gauge material for superior loads
- Suitable for overhead applications
- Spreads load over wide area for extra load capacity

Applications

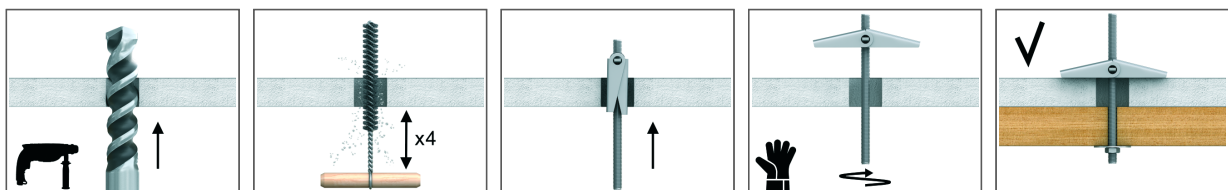
- Fixing light shelving, brackets and hooks
- Paintings
- Lamps
- Other decorative elements

Base materials

Approved for use in:

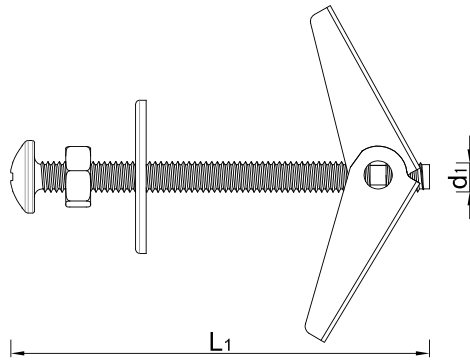
- Plasterboard
- Plywood
- Chipboard

Installation guide



1. Drill a hole of the required diameter.
2. Compress the 'wings' and push the fixing into the hole.
3. While tightening the screw, pull the fixture out from the wall or ceiling to prevent the 'wings' spinning freely.

Product information



Product Code	Description	Dimensions	Drill diameter
			∅
		[mm]	
SPO450	anchor with head rolled screw	4 x 50	14
SPO475Z	anchor with hook closed screw	4 x 75	14

Product commercial data

Product Code			Quantity [pcs]			Weight [kg]			Bar Codes	Art No.
	Description	Drill diameter [mm]	Box	Outer	Pallet	Box	Outer	Pallet		
SPO450	anchor with head rolled screw	14	50	800	19200	0.86	13.8	360.2	5906675193427	33169
SPO475Z	anchor with hook closed screw	14	50	600	19200	1.38	16.6	559.9	5906675193021	33171