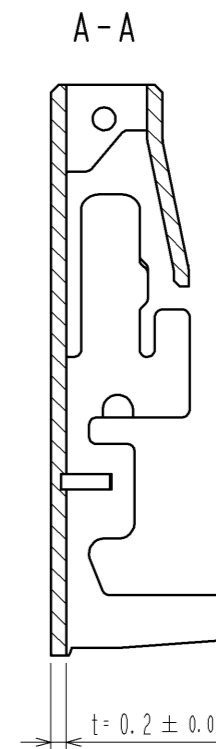
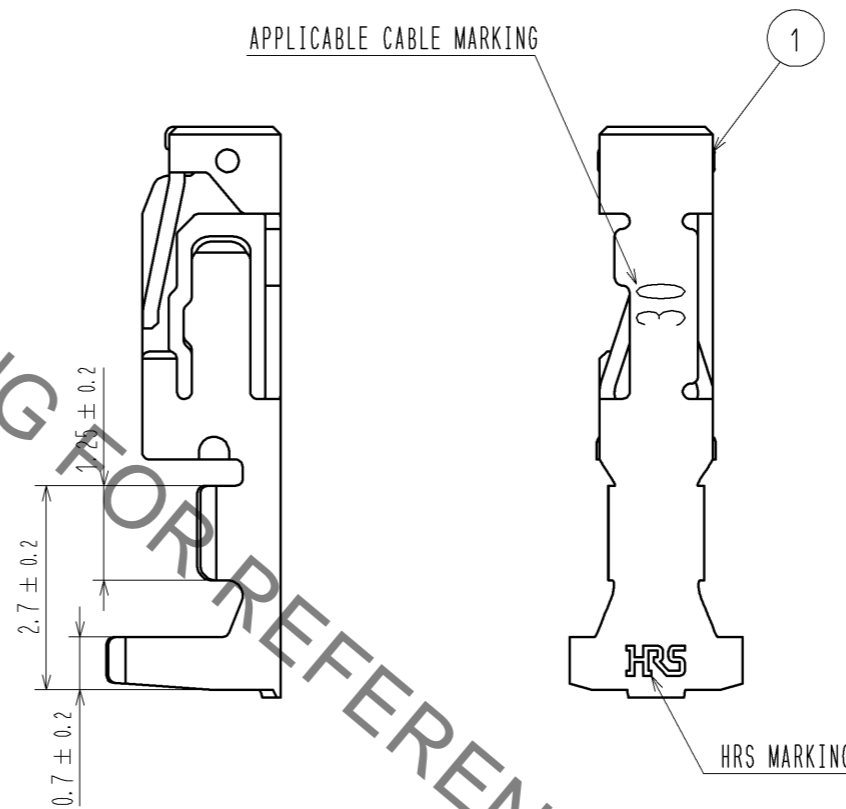
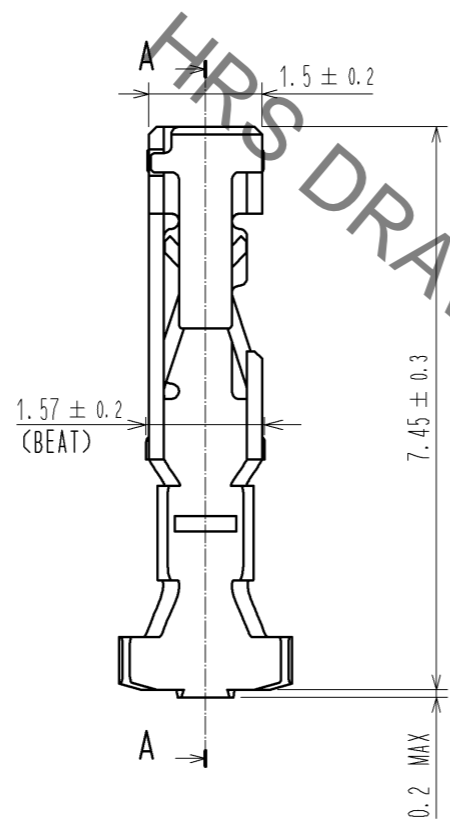
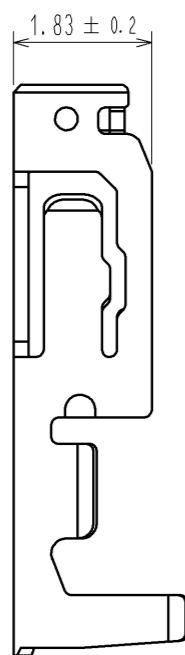


Sep.1.2019 Copyright 2019 HIROSE ELECTRIC CO., LTD. All Rights Reserved.
In case of consideration for using Automotive equipment / device which demand high reliability, kindly contact our sales window correspondents.



NOTE 1. 1PACK:100 CONTACTS

NO.	MATERIAL	FINISH . REMARKS	NO.	MATERIAL	FINISH . REMARKS		
1	PHOSPHOR BRONZE	TIN PLATING 1μm MIN					
UNITS		SCALE	COUNT	DESCRIPTION OF REVISIONS	DESIGNED	CHECKED	DATE
mm		10:1	△				
HRS HIROSE ELECTRIC CO., LTD.		APPROVED : KI. AKIYAMA	14.04.26	DRAWING NO. EDC3-352026-00			
		CHECED : KI. AKIYAMA	14.04.26	PART NO. DF62-30SC			
		DESIGNED : TS. KUMAZAWA	14.04.25	CODE NO. CL544-0574-5-00			
		DRAWN : TS. KUMAZAWA	14.04.25			△ 1/1	