

## EcoShape tubular framing system



- ▶ All connectors can be combined with the EcoShape round tubes D28L and D28L, N10, and the D28 round tube
- ▶ Integrated poka-yoke system for easy and secure connector installation
  - Anti-torsion element for secure joints
  - Positive interlocking connection
- ▶ All connectors are suitable for setting up ESD-conductive systems.

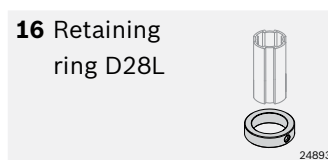
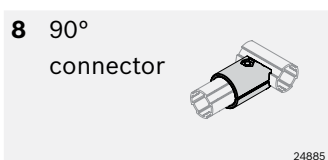
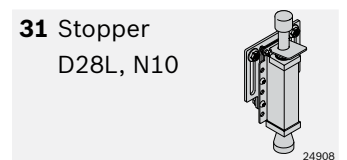
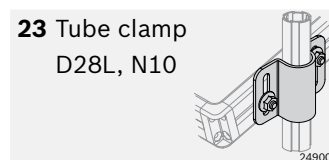
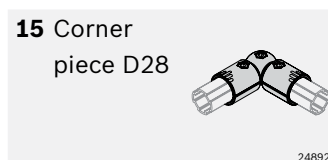
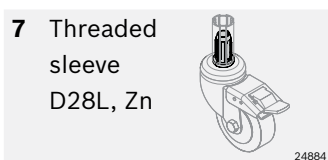
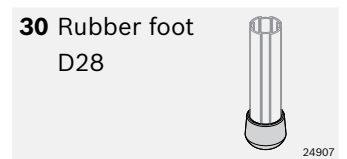
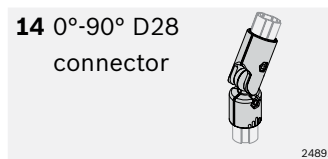
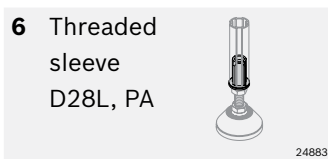
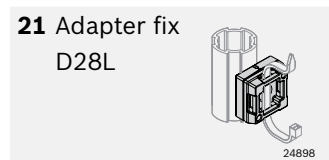
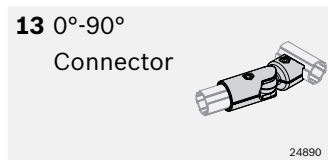
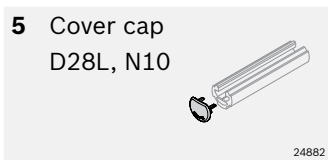
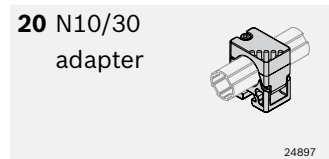
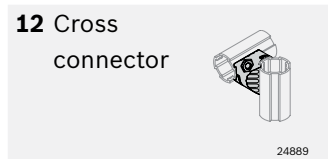
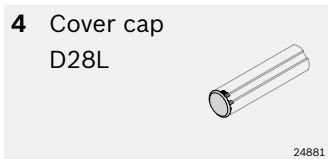
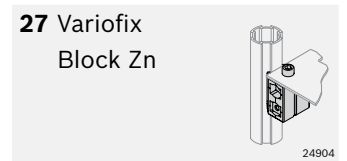
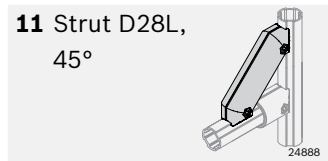
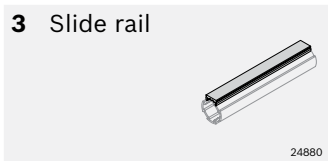
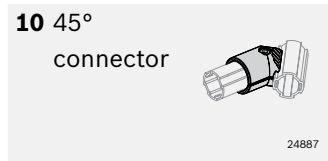
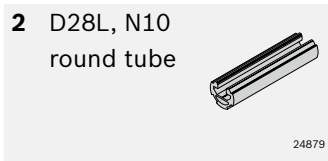
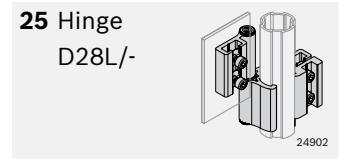
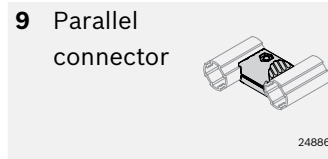
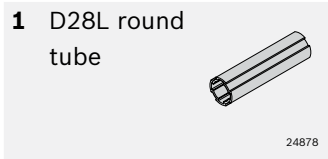
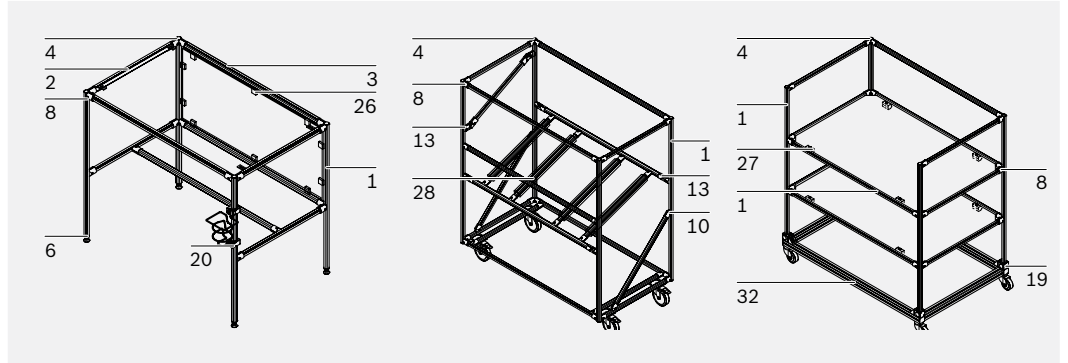
Material: diecast zinc

Scope of delivery: Incl. fastening material



**31 components – a myriad of options**

The EcoShape system is characterized by its consistent simplicity and efficiency: using just a few components, you can build complete assembly lines as well as simple transport shuttles.



**1**

$A = 1,8 \text{ cm}^2$   
 $I_x = 1,3 \text{ cm}^4$   
 $I_y = 1,3 \text{ cm}^4$   
 $W_x = 1,0 \text{ cm}^3$   
 $W_y = 1,0 \text{ cm}^3$   
 $m = 0,5 \text{ kg/m}$

00134985

- ▶ Round tube D28L with 4 interfaces for attaching EcoShape connectors

Round tube D28L		L (mm)	No.
1 pcs		50 ... 5600	<b>3 842 996 191/L</b>
	50 pcs	5600	<b>3 842 541 211</b>

Material: aluminum, anodized

**2**

$A = 2,6 \text{ cm}^2$   
 $I_x = 1,2 \text{ cm}^4$   
 $I_y = 2,0 \text{ cm}^4$   
 $W_x = 0,8 \text{ cm}^3$   
 $W_y = 1,4 \text{ cm}^3$   
 $m = 0,7 \text{ kg/m}$

00134986

- ▶ Round tube D28L, N10 with 10 mm slot for mounting accessories from the modular aluminum framing system
- ▶ 3 interfaces for attaching EcoShape connectors

Round tube D28L, N10		L (mm)	No.
1 pcs		50 ... 5600	<b>3 842 996 192/L</b>
	20 pcs	5600	<b>3 842 541 213</b>

Material: aluminum, anodized

**3**

00134987

- ▶ Slide rail for creating a simple conveyor track or manual slide section by clipping the slide rail onto the round tube D28L or D28L, N10

Slide rail	L (mm)	ESD		No.
	2000	10		<b>3 842 541 196</b>
	2000		10	<b>3 842 548 117</b>

Material: PVC; gray  
ESD: PVC (conductive); black

**4**

24132

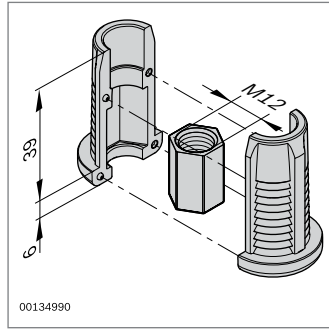
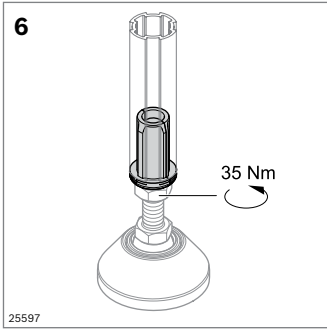
**5**

24133

- ▶ Cover cap for D28L and D28L round tube, N10

Cover cap	ESD		No.
<b>4 D28L</b>		20	<b>3 842 548 129</b>
<b>5 D28L, N10</b>		20	<b>3 842 548 130</b>

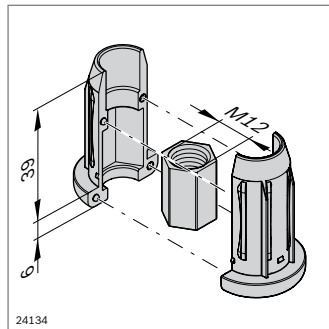
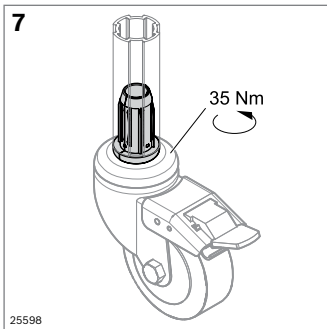
Material: PA66 (conductive); black



► Threaded sleeve for incorporating a leveling foot or caster. For further information (see p. 6-7)

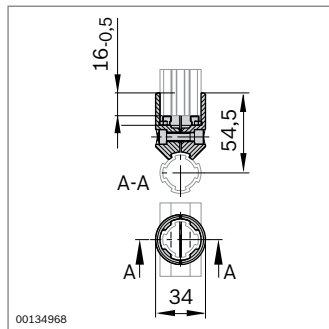
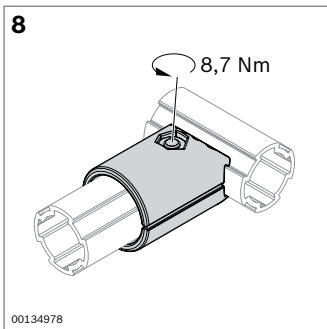
Threaded sleeve D28L; PA	ESD	No.
	20	3 842 541 185

Material: PA66 (conductive); black  
Hexagon nut: aluminum



Threaded sleeve D28L, Zn	ESD	No.
	20	3 842 548 119

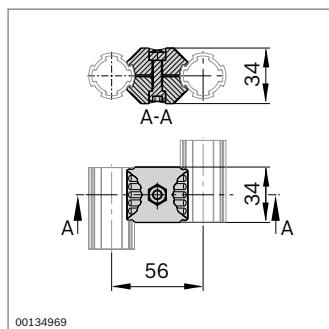
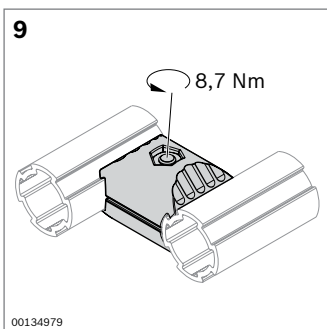
Material: diecast zinc  
Hexagon nut: aluminum



90° connector	ESD	No.	FS
	20	3 842 541 173	FS1

Material: diecast zinc  
Scope of delivery: incl. fastening material (FS)

**FS1**  
ISO 4762  
M6x25  
DIN EN  
ISO 10511  
M6



Parallel connector	ESD	No.	FS
	20	3 842 541 183	FS1

Material: diecast zinc  
Scope of delivery: incl. fastening material (FS)

**FS1**  
ISO 4762  
M6x25  
DIN EN  
ISO 10511  
M6