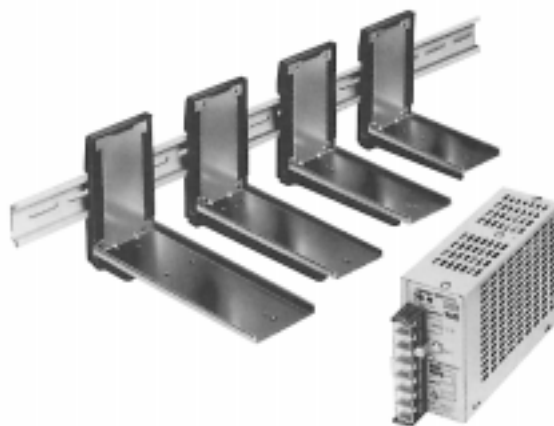


Easy-to-use, DIN-Rail Mounting Bracket for Power Supplies

- Mounts to the PFP-50, PFP-100N and PFP-100N2 DIN Rails
- Supports Models S8E1, S82J, S82H, and S82R.
- Durable structure



Ordering Information

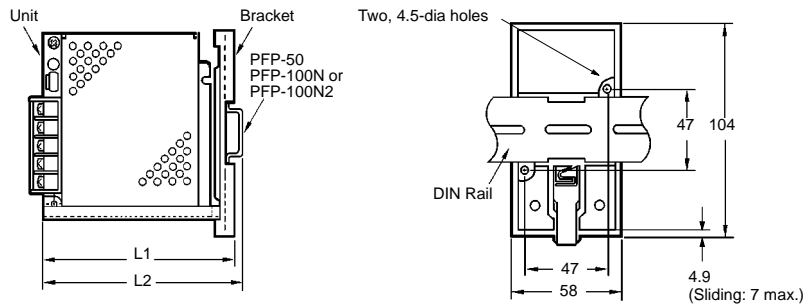
■ DIN-RAIL MOUNTING BRACKET

Supporting model		Part number
Power ratings	Model	
15 W	S82H	S82Y-01N
10 W	S82J	
10, 15 W	S8E1	
30 W	S82H	S82Y-03N
25 W	S82J	
25W	S8E1	
50 W	S82H	S82Y-05N
50 W	S82J	
30, 50, 75 W	S82R	
100, 150 W	S82J	S82Y-10N
50 W	S8E1	

Dimensions

Unit: mm (inch)

■ S82Y



Model	L1	L2 (see note)
S82Y-01N	113 (4.45)	114.8 (4.52)
S82Y-03N	143 (5.63)	144.8 (5.70)
S82Y-05N	163 (6.42)	164.8 (6.49)
S82Y-10N	185 (7.28)	186.8 (7.35)

Note: The figures in this column are applied if the PFP-100N DIN-rail is used.
Add 10.5 mm to each figure in the L1 column if the PFP-100N2 is used.

NOTE: DIMENSIONS SHOWN ARE IN MILLIMETERS. To convert millimeters to inches divide by 25.4.

OMRON®

OMRON ELECTRONICS, INC.

One East Commerce Drive
Schaumburg, IL 60173

1-800-55-OMRON

OMRON CANADA, INC.

885 Milner Avenue
Scarborough, Ontario M1B 5V8

416-286-6465