

Datasheet

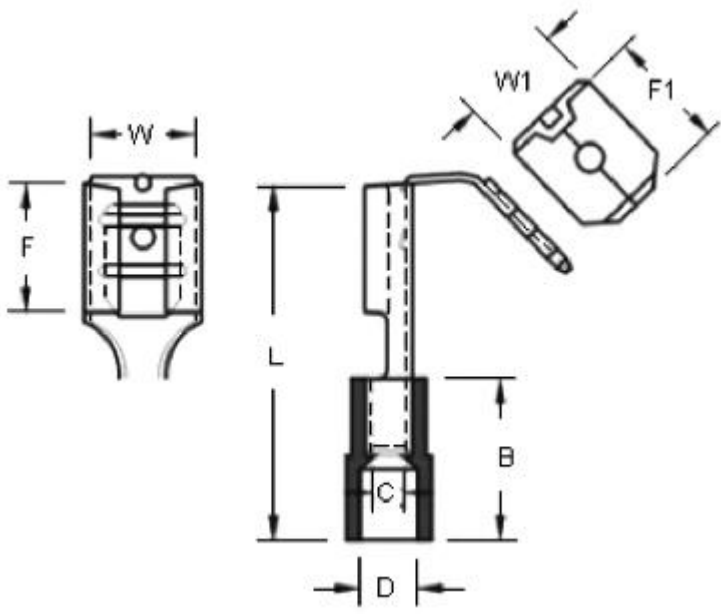
Insulated Crimp Piggyback Terminal

RS Stock number 613-9918



Specifications:

| | | | | | | | | | |
|------------------------|---|--------------------------|----|----|----|----|----|----|----|
| Max. Electric Current | : | AWG | 22 | 20 | 18 | 16 | 14 | 12 | 10 |
| | | Amperes | 3 | 4 | 7 | 10 | 15 | 20 | 24 |
| Max. Electrical Rating | : | 125°C 300V | | | | | | | |
| Insulation Material | : | PC | | | | | | | |
| Insulation Colour | : | Red (22 to 16 AWG) | | | | | | | |
| | : | Blue (16 to 14 AWG) | | | | | | | |
| Terminal Material | : | Brass. | | | | | | | |
| Terminal Barrel ID | : | C : 1.7mm (22 to 16 AWG) | | | | | | | |
| | : | C : 2.3mm (16 to 14 AWG) | | | | | | | |
| Packing | : | 100 pieces | | | | | | | |
| Connector Type | : | Piggyback | | | | | | | |
| Series | : | PBDNI | | | | | | | |
| Termination Method | : | Crimp | | | | | | | |
| Contact Plating | : | Tin | | | | | | | |
| Insulator Material | : | Polycarbonate | | | | | | | |



Specification Table

| Wire Range AWG (mm ²) | Nema Tab | Dimensions Inches(mm) | | | | | | | | Crimping Tool | Part Number |
|---|-----------------------------|--------------------------|----------------|--------------|----------------|---------------|---------------|----------------|----------------|--|-------------|
| | | W | W1 | F | F1 | L | B | D | T | | |
| 22 to 16 (0.5 to 1.5) | 0.32 × 0.25 (0.8 × 6.35) | 0.26 (6.6) | 0.25 (6.35) | 0.315 (8) | 0.323 (8.2) | 0.906 (23) | 0.433 (11) | 0.157 (4) | 0.016 (0.4) | K.S. Model KST2000C With Die Index Colour : Red | PBDNI1-250 |
| 16 to 14 (1.5 to 2.5) | | | | | | | | 0.177 (4.5) | | | |

Dimensions : Inches (Millimetres)