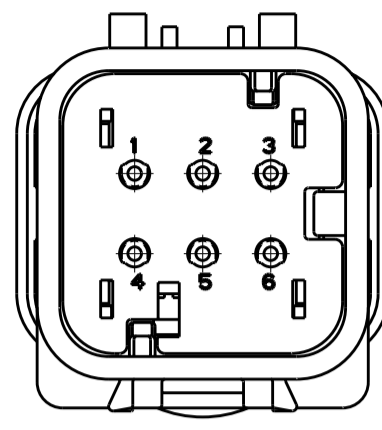
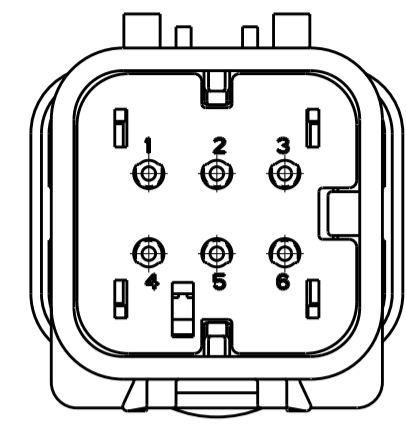


THIS DRAWING IS UNPUBLISHED. RELEASED FOR PUBLICATION
 © COPYRIGHT 20 BY - ALL RIGHTS RESERVED.

LOC	DIST	REVISIONS					
GE	00	P	LTR	DESCRIPTION	DATE	DWN	APVD
		B3		REVISED PER ECO-11-005030	12MAR2011	RK	HMR



776537-2
SCALE 2:1



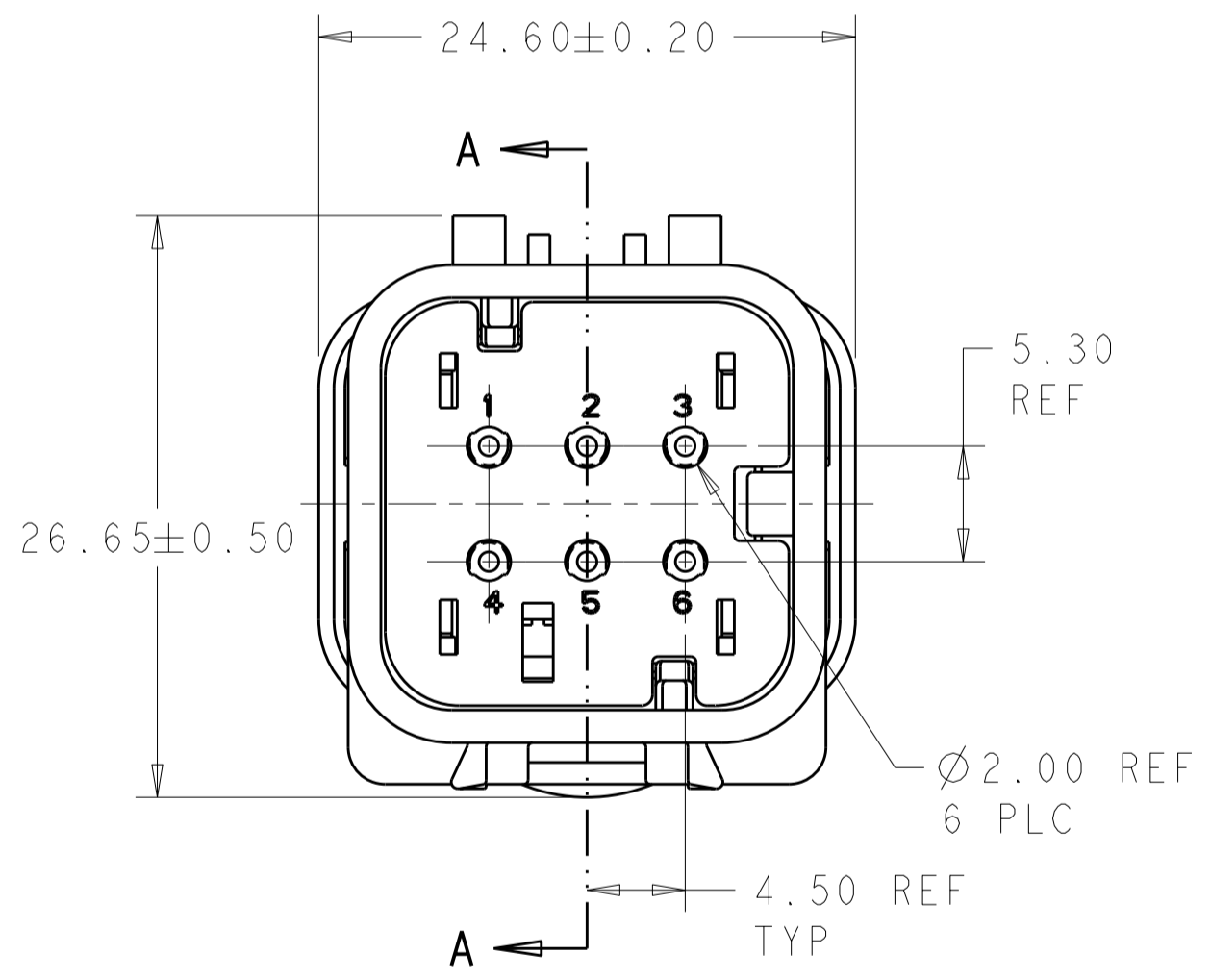
776537-3
SCALE 2:1

1 MATERIAL: 15% GLASS FILLED THERMOPLASTIC
COLOR: BLACK

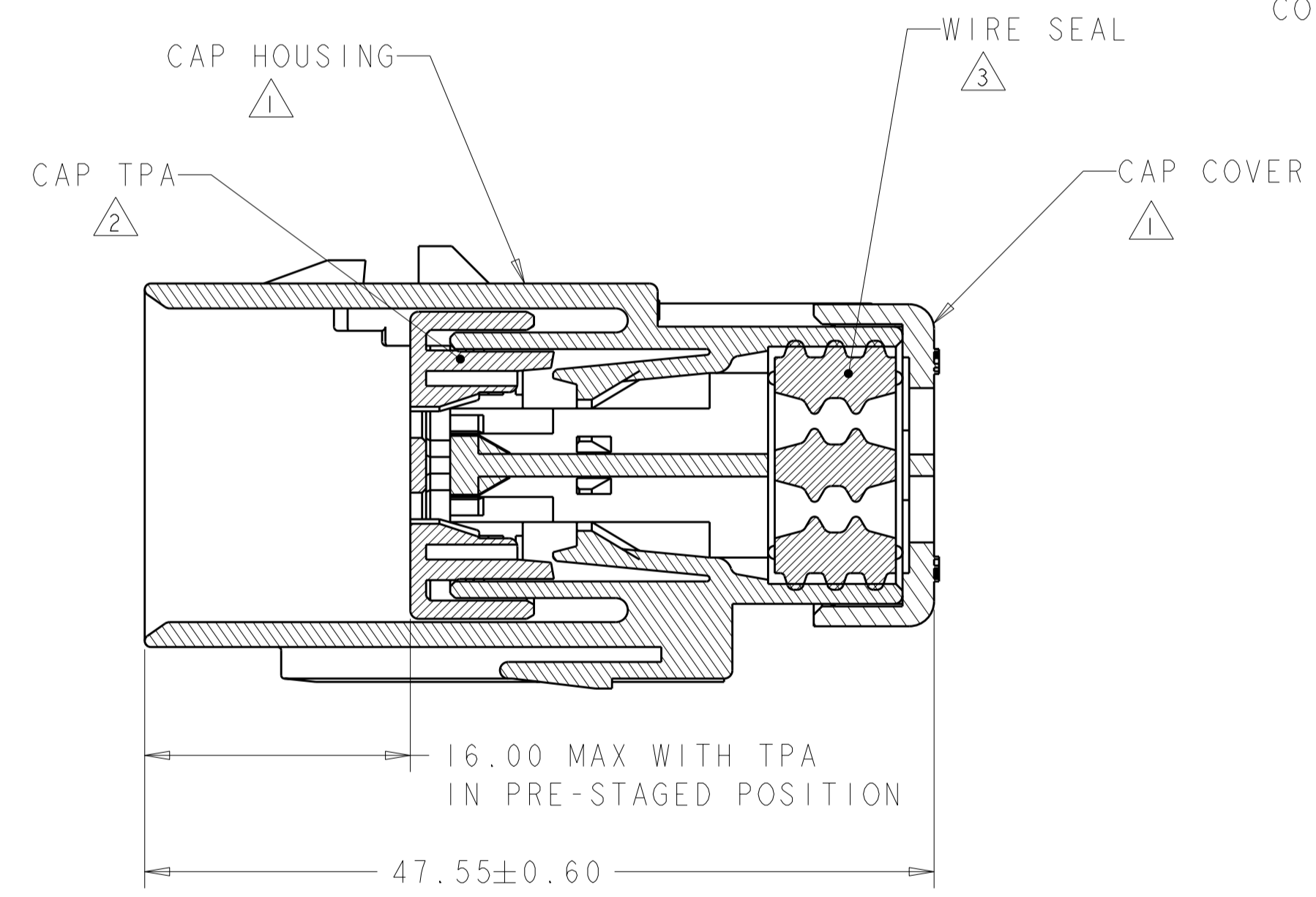
2 MATERIAL: 15% GLASS FILLED THERMOPLASTIC
COLOR: (SEE TABLE)

3 MATERIAL: SILICONE
COLOR: LIGHT BLUE

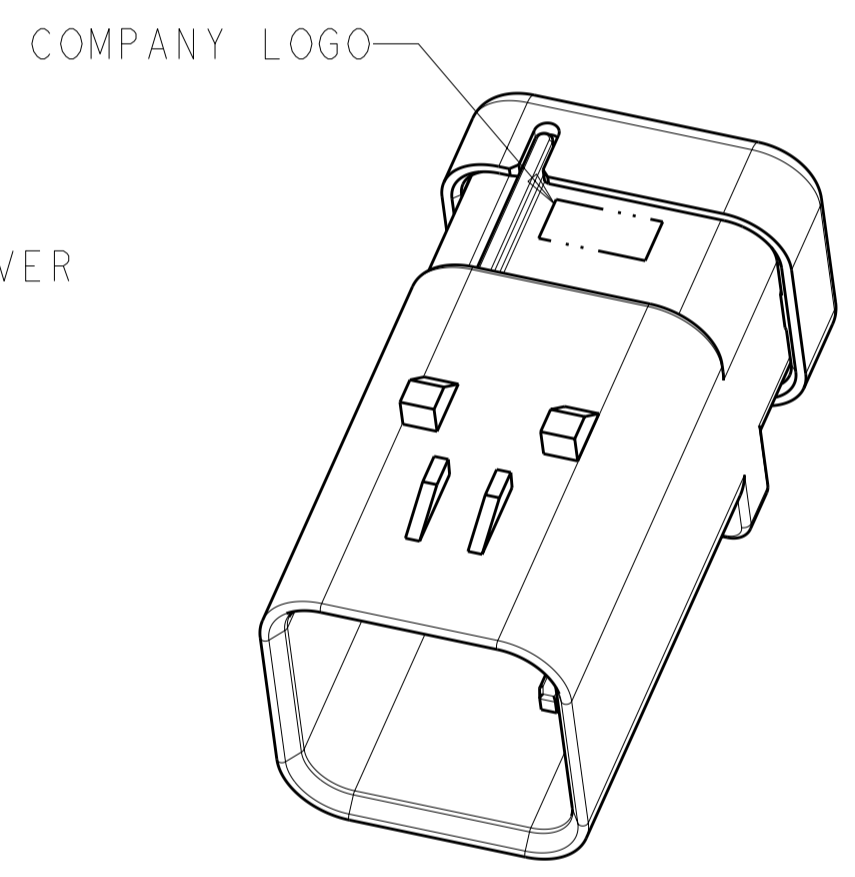
4. RECOMMENDED WIRE DIAMETER RANGE IS 1.30 TO 2.54mm



776537-1 SHOWN



SECTION A-A
OPEN POSITION



SCALE 2:1

YELLOW	776537-3
GRAY	776537-2
RED	776537-1
TPA COLOR	PART NUMBER

THIS DRAWING IS A CONTROLLED DOCUMENT.		DWN W. HOELSCHER 04SEP2003	TE Connectivity	
DIMENSIONS: mm		CHK J. PATERSON 04SEP2003		
TOLERANCES UNLESS OTHERWISE SPECIFIED:		APVD D. KLEIN 04SEP2003	NAME CAP ASSEMBLY, 6 POSITION, 2 ROW, AMPSEAL 16 CONNECTOR REDUCED DIA WIRE SEAL	
0 PLC ± 1 PLC ± 2 PLC ± 3 PLC ± 4 PLC ± ANGLES ± FINISH		PRODUCT SPEC -	SIZE A2	CAGE CODE 00779
MATERIAL		APPLICATION SPEC 114-13065	DRAWING NO 776537	RESTRICTED TO -
-		WEIGHT -	SCALE 2:1 SHEET 1 OF 1 REV B3	
-		CUSTOMER DRAWING		