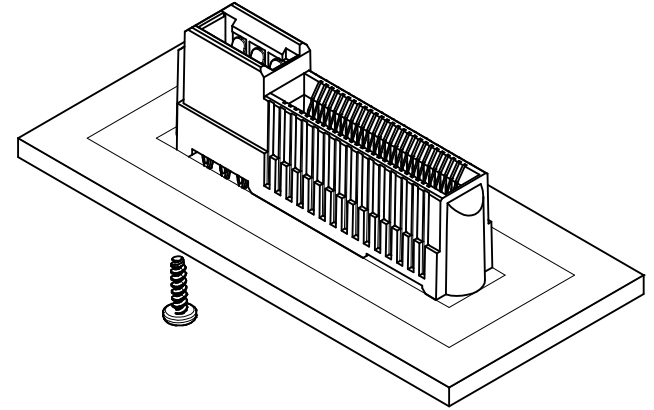
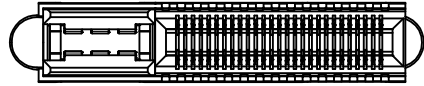
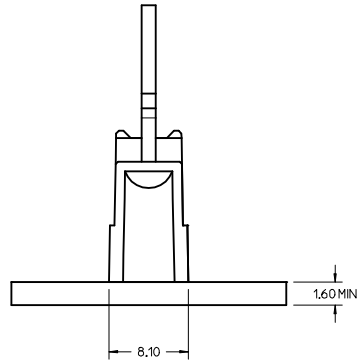
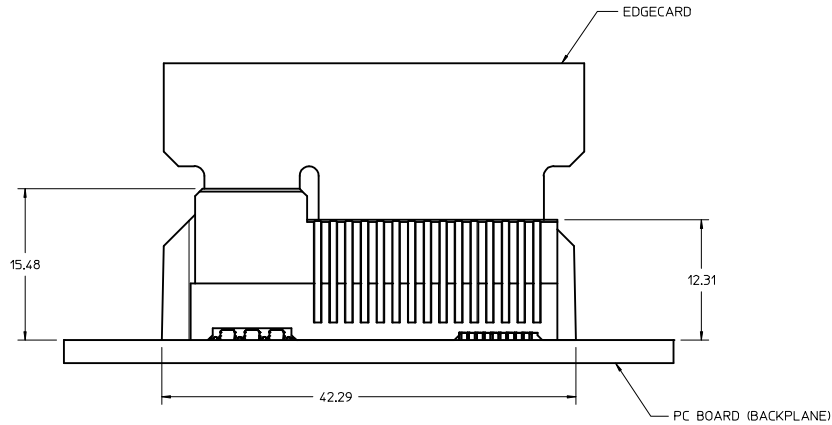


P.C. BOARD MOUNTING



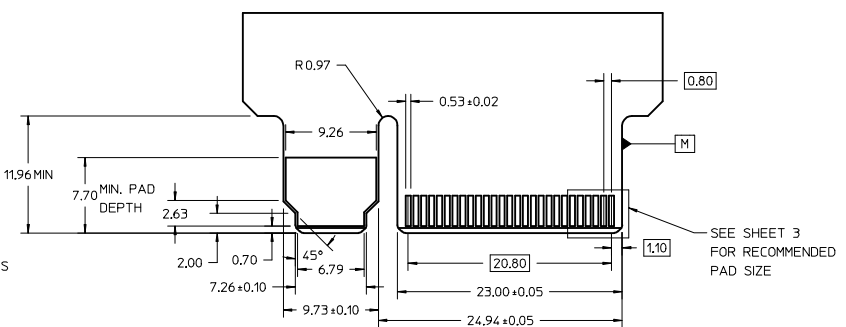
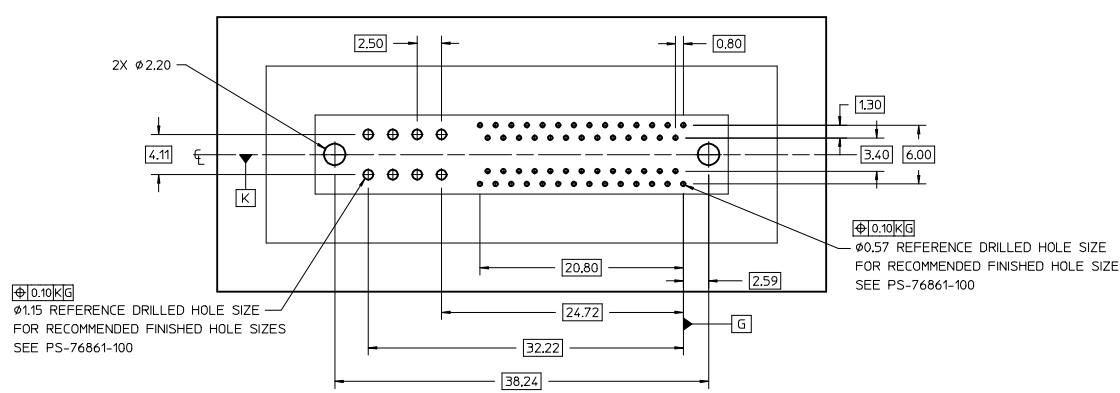
M1.8x8
THREAD-FORMING SCREW
(NOT SUPPLIED BY MOLEX)



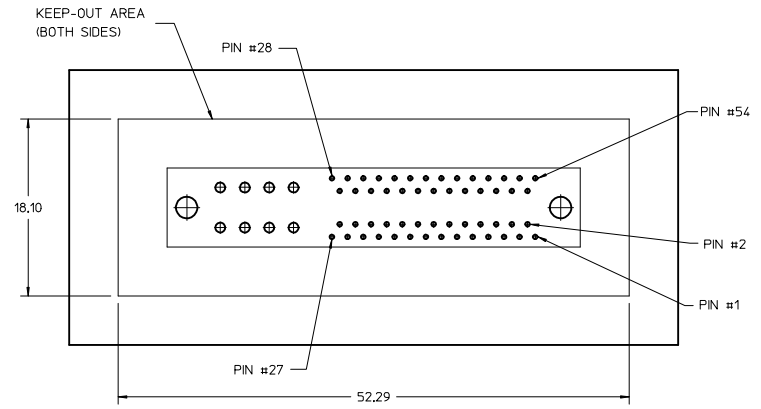
NOTES:

1. MATERIAL:
HOUSING - GLASS FILLED THERMOPLASTIC, 94-V0, BLACK
TERMINALS - COPPER ALLOY
2. FINISH:
CONTACT AREA: HARD GOLD -0.76 MICROMETERS MINIMUM OVER 3.80 MICRO METER NICKEL
COMPLIANT AREA: TIN - 0.76/1.52 MICROMETERS OVER NICKEL
3. REFER TO PS-76861-100 PRODUCT SPECIFICATION FOR ALL ELECTRICAL, MECHANICAL AND ENVIRONMENTAL SPECIFICATIONS.
4. REFER TO PK-170545-5000 FOR ALL PACKAGING SPECIFICATIONS.
5. REFER TO AS-76693-100 FOR APPLICATION SPECIFICATIONS.
6. PROCESSING: PRESSFIT TO PC BOARD.
7. MATING PC BOARD THICKNESS = 2.36±0.16MM OVER CONTACT PADS.
8. THIS PART CONFORMS TO CLASS B REQUIREMENTS OF COSMETIC SPEC PS-45499-002
9. MAXIMUM SCREW TORQUE FORCE 0.12Nm.

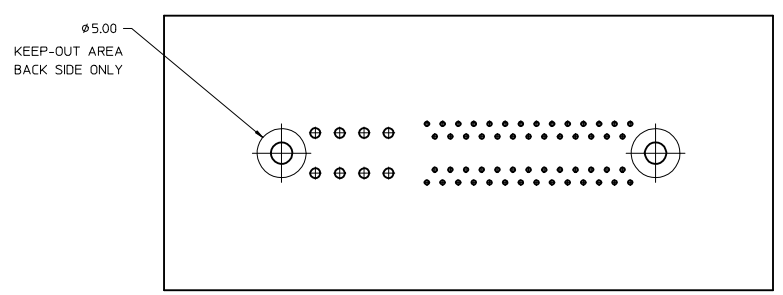
EDGECARD SPEC UPDATED EIC NO: UICP2015-2002 DRWNGES: 2014/09/30 CHKD: MPOFF 2014/10/13 APPR: SMILLER 2014/12/29	QUALITY SYMBOLS ∇=0 ∇=0 ∇=0	GENERAL TOLERANCES (UNLESS SPECIFIED)		DIMENSION STYLE MM ONLY	SCALE 4:1	DESIGN UNITS METRIC	THIRD ANGLE PROJECTION										
		<table border="1"> <tr> <th>mm</th> <th>INCH</th> </tr> <tr> <td>4 PLACES ±---</td> <td>±---</td> </tr> <tr> <td>3 PLACES ±---</td> <td>±---</td> </tr> <tr> <td>2 PLACES ±0.13</td> <td>±---</td> </tr> <tr> <td>1 PLACE ±0.25</td> <td>±---</td> </tr> <tr> <td>0 PLACE ±---</td> <td>±---</td> </tr> </table>	mm	INCH	4 PLACES ±---	±---	3 PLACES ±---	±---	2 PLACES ±0.13	±---	1 PLACE ±0.25	±---	0 PLACE ±---	±---	DRAWN BY MPOFF	DATE 2014/05/23	TITLE EDGELINE ESP30 12.5GB 0.093"PCB/0.8MM PITCH 54 CKTS
mm	INCH																
4 PLACES ±---	±---																
3 PLACES ±---	±---																
2 PLACES ±0.13	±---																
1 PLACE ±0.25	±---																
0 PLACE ±---	±---																
DRAFT WHERE APPLICABLE MUST REMAIN WITHIN DIMENSIONS		MATERIAL NO. 170545-1054	APPROVED BY SMILLER	DATE 2014/07/23	DOCUMENT NO. SD-170545-1054		SHEET NO. 1 OF 3										



EDGECARD LAYOUT



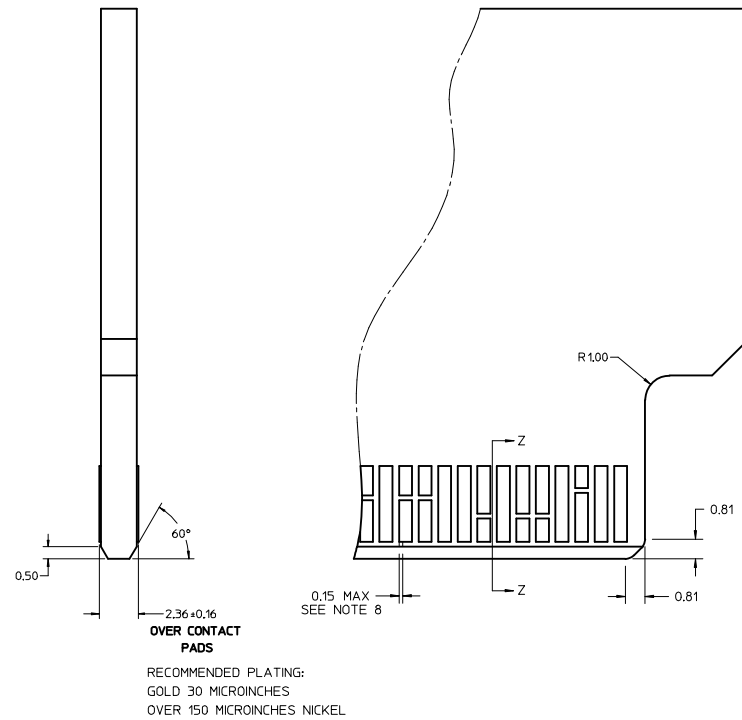
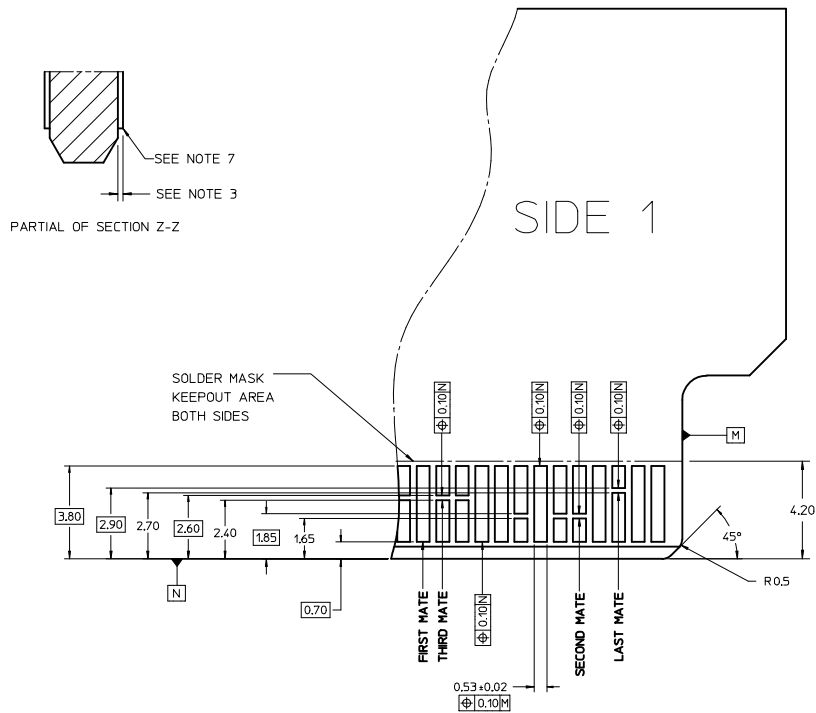
MOTHER BOARD HOLE LAYOUT (COMPONENT SIDE)



MOTHER BOARD HOLE LAYOUT (BACK SIDE)

SEE SHEET 1 IEC NO: UCP2015-2002 DRAWINGS 2014/09/30 CHKD:MPOFF 2014/10/13 APPR:SMILLER 2014/12/29	QUALITY SYMBOLS	GENERAL TOLERANCES (UNLESS SPECIFIED)	DIMENSION STYLE	SCALE	DESIGN UNITS	THIRD ANGLE PROJECTION
	$\nabla=0$	4 PLACES ± 0.13	mm	MM ONLY	4:1	METRIC
	$\nabla=0$	3 PLACES ± 0.25	INCH			
	$\nabla=0$	2 PLACES ± 0.50				
		ANGULAR ± 2°				
		DRAFT WHERE APPLICABLE MUST REMAIN WITHIN DIMENSIONS				
			MATERIAL NO.	DATE	DATE	TITLE
			SEE SHEET 1	2014/05/23	2014/05/23	EDGE LINE ESP30 12.5GB 0.093"PCB/0.8MM PITCH 54 CKTS
				2014/07/23		molex
						DOCUMENT NO. SD-170545-1054
						SHEET NO. 2 OF 3

MODULE EDGE CARD CONTACT DETAIL

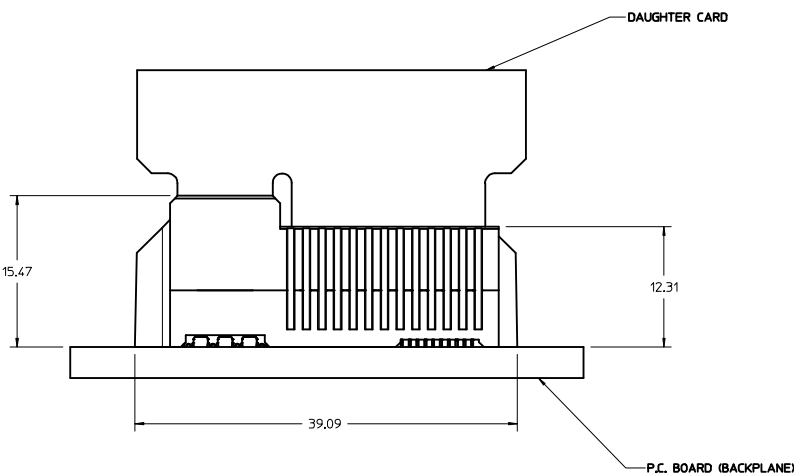
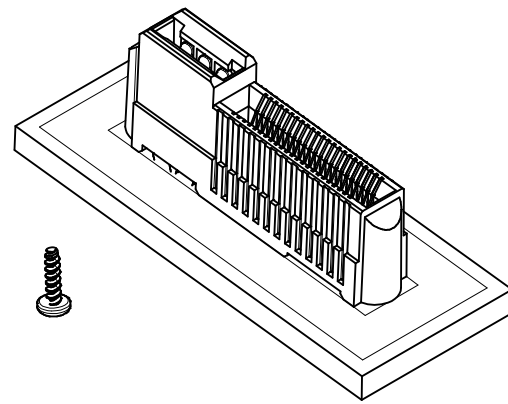
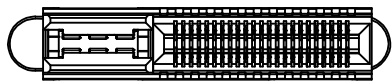


MATING PCB NOTES:

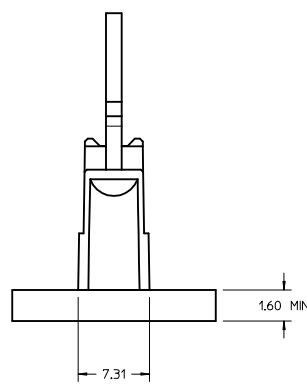
- CONNECTOR LAND CONDITIONS SHALL MEET THE MOST CURRENT REVISION OF PCB SPECIFICATION IPC-6012C-2010 SECTION 3.5.4.4.
- DIMENSIONS APPLY TO LANDS ON BOTH SIDES OF THE BOARD.
- THE THICKNESS OF THE OUTER METAL LAYERS, INCLUDING FOIL, COPPER PLATING, AND THE PROTECTIVE SURFACE FINISH, SHALL BE 0.066mm MAXIMUM.
- CHAMFER ROUGHNESS NOT TO EXCEED 3.17 MICROMETERS.
- CHAMFER PROCESS SHALL NOT DAMAGE THE GOLD EDGE LANDS.
- EDGE CARD CHAMFER NOT TO GO THROUGH GOLD LANDS.
- 0.03mm MAXIMUM PLATING OVERHANG ON ALL GOLD LAND EDGES.
- MOLEX RECOMMENDS NO TIE-BARS ON THE LEADING EDGE OF THE GOLD LAND. IF TIE-BARS ARE USED, THEY SHALL BE PLACED TO ONE SIDE OF THE GOLD LAND. APPLIES TO ALL GOLD LANDS.

SEE SHEET 1 IEC NO: UICP2015-2002 DRAWINGS: 2014/09/30 CHKD: MPOFF 2014/10/13 APPR: SMILLER 2014/12/29	QUALITY SYMBOLS ∇=0 ∇=0 ∇=0	GENERAL TOLERANCES (UNLESS SPECIFIED)		DIMENSION STYLE MM ONLY		SCALE 10:1	DESIGN UNITS METRIC	THIRD ANGLE PROJECTION
		4 PLACES ±--- ±--- mm INCH 3 PLACES ±--- ±--- ±--- ±--- 2 PLACES ±0.13 ±--- ±--- ±--- 1 PLACE ±0.25 ±--- ±--- ±--- 0 PLACE ±--- ±--- ±--- ±---	ANGULAR ± 2 ° DRAFT WHERE APPLICABLE MUST REMAIN WITHIN DIMENSIONS	DRAWN BY MPOFF DATE 2014/05/23	CHECKED BY DMORGAN DATE 2014/05/23	APPROVED BY SMILLER DATE 2014/07/23	MATERIAL NO. SEE SHEET 1	DOCUMENT NO. SD-170545-1054
TITLE EDGELINE ESP30 12.5GB 0.093"PCB/0.8MM PITCH 54 CKTS								

P.C. BOARD MOUNTING

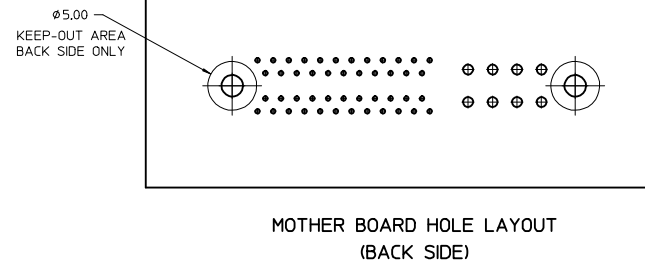
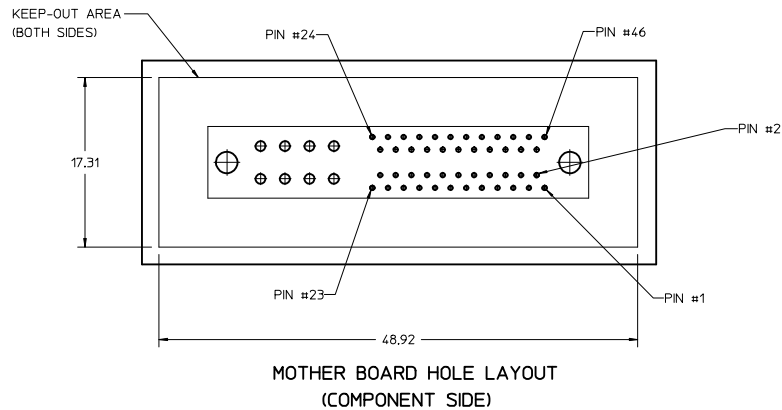
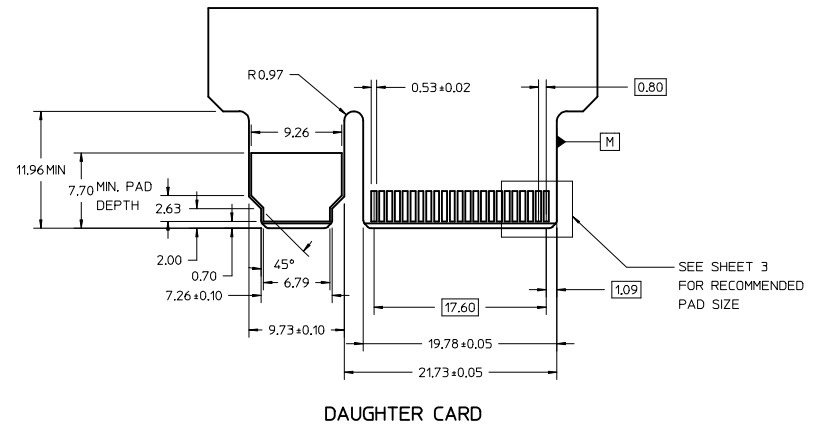
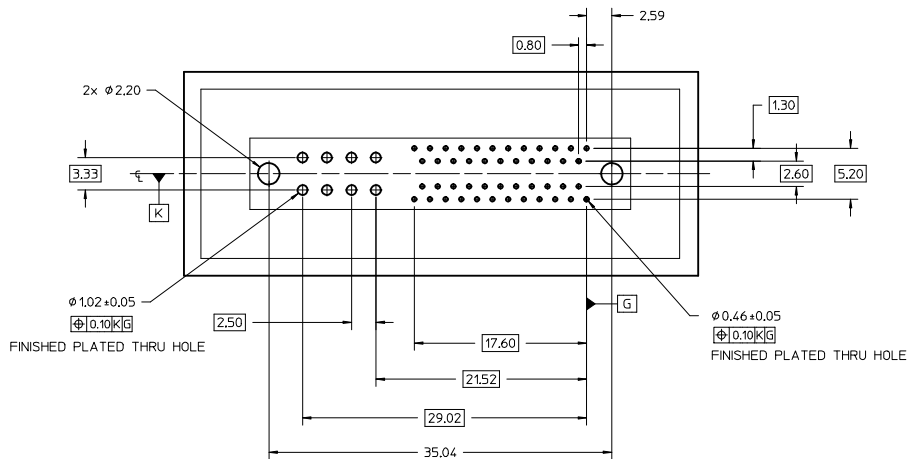


M1.8x8
 THREAD-FORMING SCREW
 SUGGESTED SOURCE:
 ACUMENT
 6125 EIGHTEEN MILE ROAD
 STERLING HEIGHTS, MICHIGAN 48314
 TEL.: 1.800.544.6117
 P/N: 3BT8567-00
 (NOT SUPPLIED BY MOLEX)



- NOTES:
- MATERIAL:
 HOUSING - GLASS FILLED THERMOPLASTIC, 94-V0, BLACK
 TERMINALS - COPPER ALLOY
 - FINISH:
 CONTACT AREA: HARD GOLD -0.76 μ m MIN OVER 3.80 μ NICKEL
 COMPLIANT AREA: TIN - 0.76/152 μ m OVER NICKEL
 - REFER TO PS-76861-100 PRODUCT SPECIFICATION FOR ALL ELECTRICAL, MECHANICAL AND ENVIRONMENTAL SPECIFICATIONS.
 - REFER TO PK-76861-900 FOR ALL PACKAGING SPECIFICATIONS.
 - PROCESSING: PRESSFIT TO PC BOARD.
 - MATING PC BOARD THICKNESS = 1.60±0.16MM OVER CONTACT PADS.
 - THIS PART CONFORMS TO CLASS B REQUIREMENTS OF COSMETIC SPEC PS-45499-002.
 - MAXIMUM SCREW TORQUE FORCE 0.12Nm.

EDGECARD SPEC UPDATED EC NO: UCP2015-1286 DRAWN BY: 2014/09/29 CHYKOMP/DF 2014/10/13 APPR:SMILLER 2015/01/29	QUALITY SYMBOLS	GENERAL TOLERANCES (UNLESS SPECIFIED)	DIMENSION STYLE	SCALE	DESIGN UNITS	THIRD ANGLE PROJECTION	
	▽=0	4 PLACES +--- mm +--- INCH	MM ONLY	4:1	METRIC		
	▽=0	3 PLACES +--- mm +--- INCH	DRAWN BY: DROSCA	DATE: 12/02/2008	TITLE: EDGELINE+LPH 12.5GB		
	▽=0	2 PLACES +0.13 mm +--- INCH	CHECKED BY: JCOMERC I	DATE: 12/02/2008	0.062"PCB/0.8MM PITCH		
		1 PLACE +0.25 mm +--- INCH	APPROVED BY: JCOMERC I	DATE: 2009/08/04	46 CKTS		
		0 PLACE +--- mm +--- INCH	MATERIAL NO: 76861-1000	DOCUMENT NO: SD-76861-100	molex	SHEET NO. 1 OF 3	
		ANGULAR ± 2 °	THIS DRAWING CONTAINS INFORMATION THAT IS PROPRIETARY TO MOLEX INCORPORATED AND SHOULD NOT BE USED WITHOUT WRITTEN PERMISSION				
		DRAFT WHERE APPLICABLE MUST REMAIN WITHIN DIMENSIONS					



SEE SHEET 1 EC NO: UCP2015-1286 2014/09/29 CHYKOPROFF 2014/10/13 APPROVSMILLER 2015/01/29	QUALITY SYMBOLS	GENERAL TOLERANCES (UNLESS SPECIFIED)	DIMENSION STYLE	SCALE	DESIGN UNITS	THIRD ANGLE PROJECTION
	$\nabla=0$	4 PLACES \pm mm \pm INCH	MM ONLY	4:1	METRIC	
	$\nabla=0$	3 PLACES \pm mm \pm INCH	DRAWN BY	DATE	TITLE	
	$\nabla=0$	2 PLACES ± 0.13 \pm INCH	DROSCA	12/02/2008	EDGELINE+LPH 12.5GB	
	1 PLACE ± 0.25 \pm INCH	0 PLACE \pm mm \pm INCH	CHECKED BY	DATE		
			JCOMERC I	12/02/2008		
			APPROVED BY	DATE		
			JCOMERC I	2009/08/04		
		ANGULAR $\pm 2^\circ$	MATERIAL NO.	DOCUMENT NO.		SHEET NO.
		DRAFT WHERE APPLICABLE MUST REMAIN WITHIN DIMENSIONS	SEE SHEET 1	SD-76861-100		2 OF 3
			THIS DRAWING CONTAINS INFORMATION THAT IS PROPRIETARY TO MOLEX INCORPORATED AND SHOULD NOT BE USED WITHOUT WRITTEN PERMISSION			

