



MASTER LEDspot LV

MASTER LEDspotLV D 7-35W 3000K MR16 36D

Delivering a warm, halogen-like accent beam, MASTER LEDspot LV is an ideal retrofit solution for spot and general lighting applications in the hospitality industry. It is particularly suited to public areas such as receptions, lobbies, corridors, stairwells and washrooms, where the light is on all the time. The robustly designed MASTER LEDspot offers a choice of beam angles for a clearly defined beam spread. There is no UV or IR in the beam, making it suitable for illuminating heat-sensitive objects (food, organic materials, paintings, etc.). Innovative active cooling technology - thanks to the fan inside - results in maximum performance of the lamp. The patented intelligent driver enables broad compatibility with existing electromagnetic and electronic halogen transformers. The dimmable versions drive further efficiencies, while helping to create the desired atmosphere.

Product data

• General Characteristics

Cap-Base	GU5.3
Bulb	MR16 [MR 16inch/50mm]
Average Lifetime	40000 hr

• Light Technical Characteristics

Colour Code	WH
Colour Designation	White
Beam Angle	36 D
Beam Description	36D [Medium beam]
Correlated Colour Temperature	3000 K
Luminous Intensity	810 cd
Colour rendering index	80
Colour Temperature	3000 K [CCT 3000K]

• Electrical Characteristics

Wattage	7 W
Wattage Technical	7.0 W
Voltage	12 V
Power Factor	0.8 -
Lamp Current mA	650 mA

Dimmable Yes

• Product Dimensions

Diameter D	50 mm
Overall Length C	54 mm

• Product Data

Order code	119098 00
Full product code	871829111909800
Full product name	MASTER LEDspotLV D 7-35W 3000K MR16 36D
Order product name	MASTER LEDspotLV D 7-35W 3000K MR16 36D
Pieces per pack	1
Packing configuration	10
Packs per outerbox	10
Bar code on pack - EAN1	8718291119098
Bar code on outerbox - EAN3	8718291119104
Logistic code(s) - 12NC	929000194502
Net weight per piece	0.045 kg

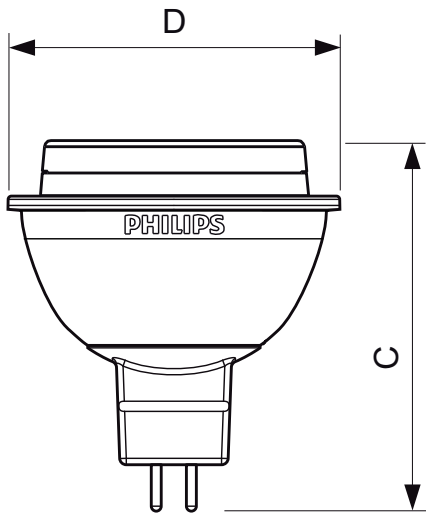
Dimensional drawing



PHILIPS

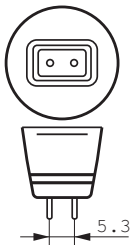
sense and simplicity

Dimensional drawing



7-35W/10-50W, GU5.3, MR16, dimmable

Product	C (Norm)	D (Norm)
LED D 7-35W GU5.3 WH 3000K 12V MR16 36D	54	50



GU5.3



© 2012 Koninklijke Philips Electronics N.V.
All rights reserved.

Specifications are subject to change without notice. Trademarks are the property of Koninklijke Philips Electronics N.V. or their respective owners.

www.philips.com/lighting

2012, August 4
data subject to change