

ISO housing

Protective housing with transparent cover for surface mounting

Application area

The ISO housing is a robust field housing for wall mounting, for mounting of VEGAMET series 300 and VEGAMET series 600 signal conditioning instruments.

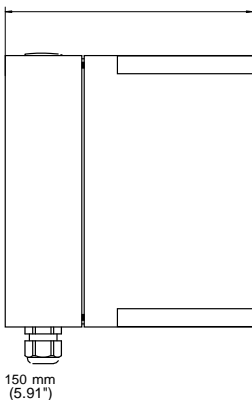
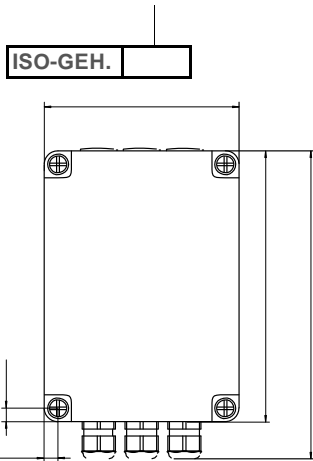
Your benefit

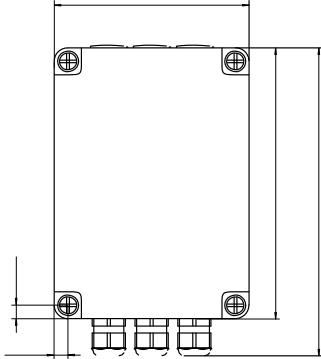
- Protective housing in protection IP 65
- Attached carrier rail 35 x 7.5 acc. to EN 50022
- Including mounted cable glands



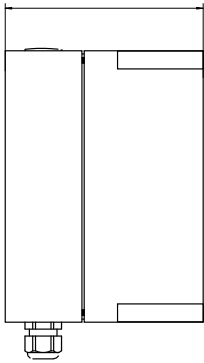
Instrument type

- AXX** suitable for one VEGAMET 391
- CXX** suitable for up to three series 600 instruments
- BXX** suitable for one VEGAMET 381





125 mm
(4.92")



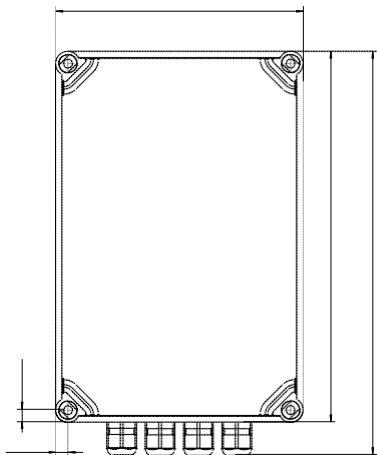
126 mm
(4.96")

175 mm (6.89")
 205 mm (8.07")
 10 mm (0.39")

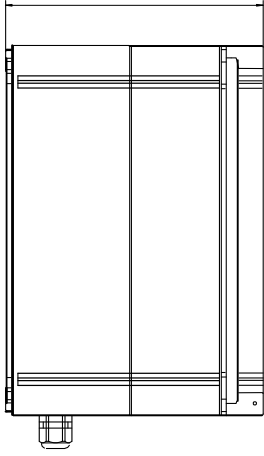
175 mm (6.89")
 205 mm (8.07")
 10 mm (0.39")
 10 mm (0.39")

ISO housing suitable for up to three series 600 instruments
 Depending on the housing width

ISO housing suitable for VEGAMET 381



200 mm
(7.87")



190 mm
(7.48")

326.5 mm 300 mm 10 mm
(12.85") (11.81") (0.39")

10 mm
(0.39")

ISO housing suitable for VEGAMET 391