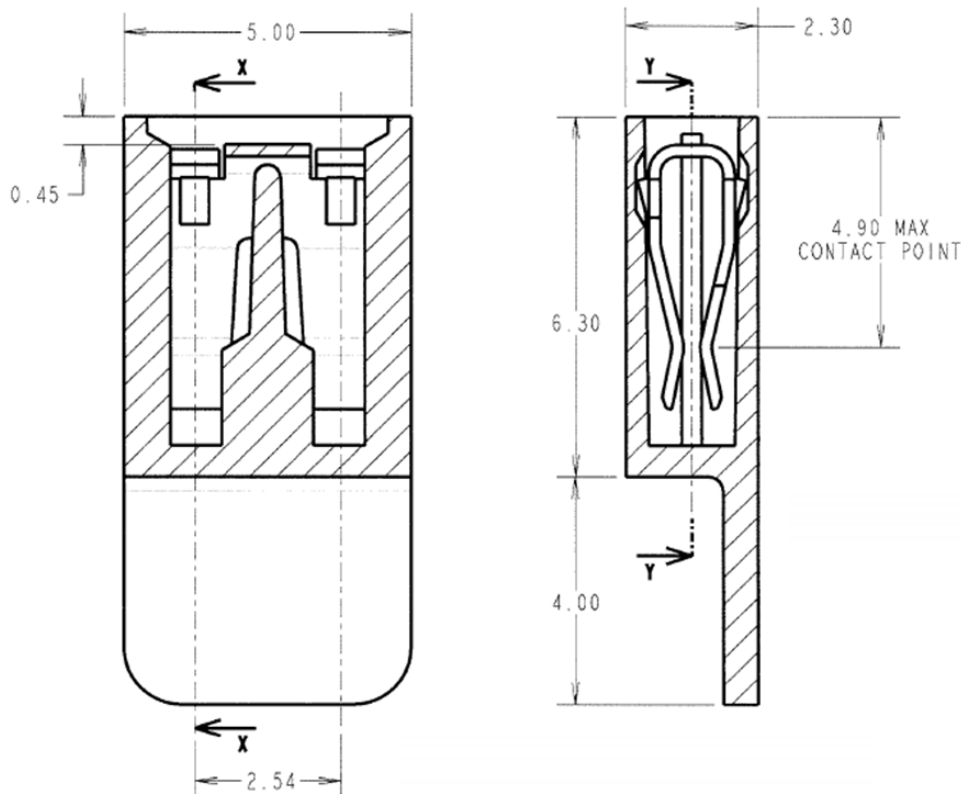


## Datasheet

### Jumper Socket (Closed top with handle)

RS Stock number 217-851

#### Dimensions - mm



#### Specifications:

Moulding:	Glass filled polyester UL94V-0
Clip:	Phosphor Bronze
Current Rating:	3A max.
Voltage Rating:	250V AC/DC
Voltage Proof:	750 V AC
Contact Resistance:	30mΩ max. (TIN), 25mΩ max. (GOLD)
Insulation Resistance:	1,000mΩ min.
Durability:	50 operations (TIN), 300 operations (GOLD)
Insertion Force:	12.5N max.
Withdrawal Force:	1.0N min.
Temperature Range:	-40°C to 85°C