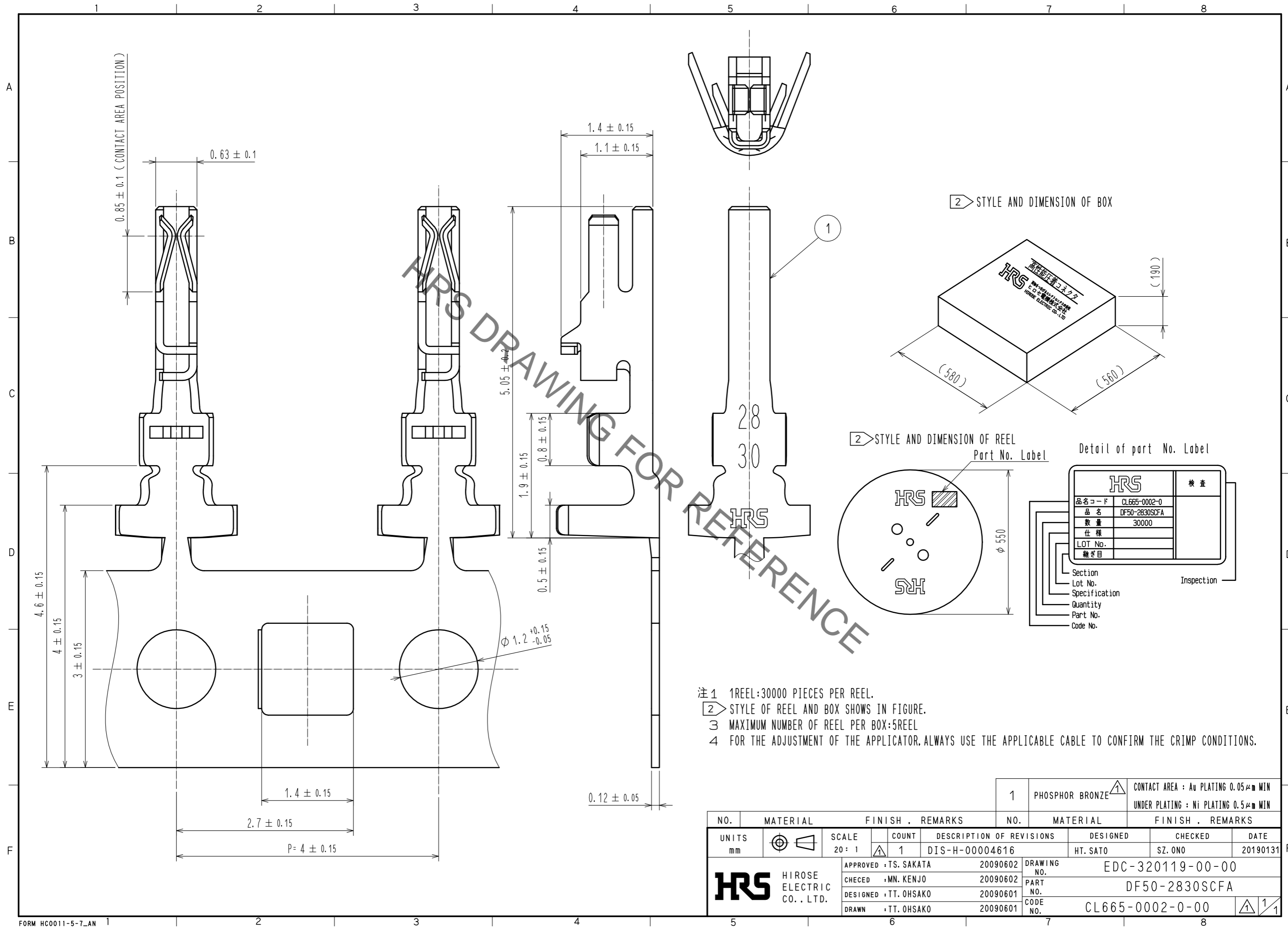
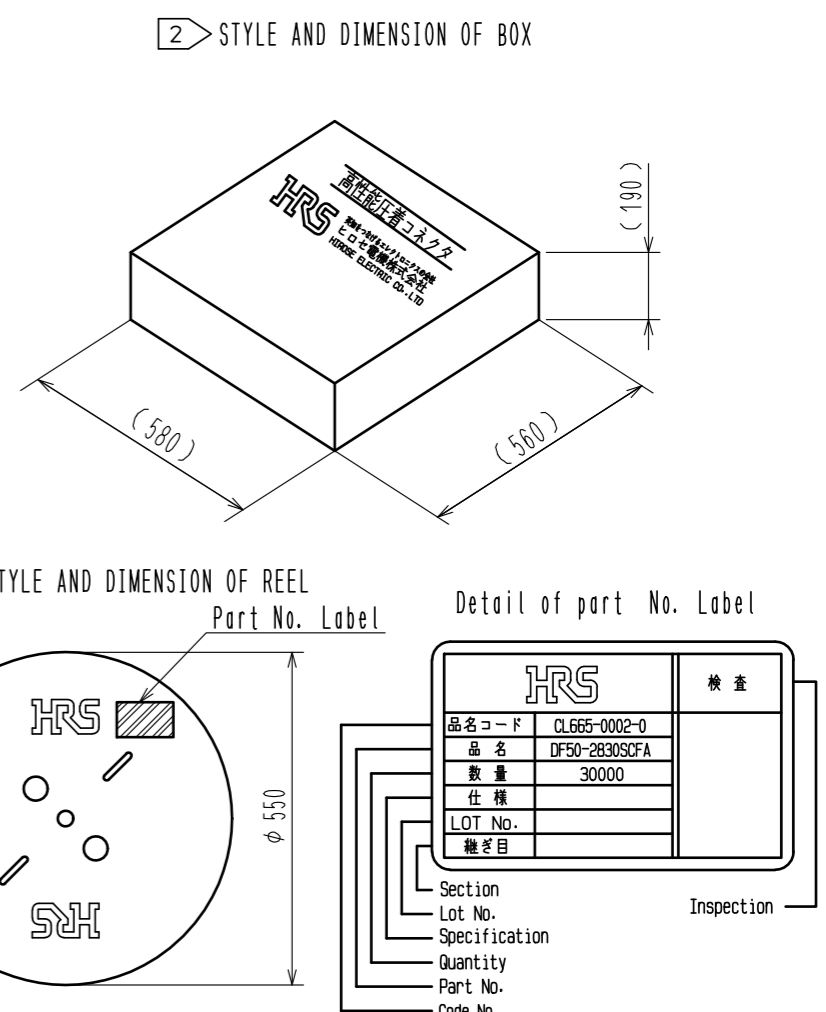


Aug.1.2019 Copyright 2019 HIROSE ELECTRIC CO., LTD. All Rights Reserved.  
In case of consideration for using Automotive equipment / device which demand high reliability, kindly contact our sales window correspondents.



- 注1 1REEL:30000 PIECES PER REEL.  
 注2 STYLE OF REEL AND BOX SHOWS IN FIGURE.  
 注3 MAXIMUM NUMBER OF REEL PER BOX:5REEL  
 注4 FOR THE ADJUSTMENT OF THE APPLICATOR, ALWAYS USE THE APPLICABLE CABLE TO CONFIRM THE CRIMP CONDITIONS.



NO.	MATERIAL	FINISH . REMARKS	NO.	MATERIAL	FINISH . REMARKS		
			1	PHOSPHOR BRONZE	CONTACT AREA : Au PLATING 0.05μm MIN UNDER PLATING : Ni PLATING 0.5μm MIN		
UNITS mm		SCALE 20 : 1	COUNT 1	DESCRIPTION OF REVISIONS DIS-H-00004616	DESIGNED HT. SATO	CHECKED SZ. ONO	DATE 20190131
<b>HRS</b> HIROSE ELECTRIC CO., LTD.		APPROVED : TS. SAKATA	20090602	DRAWING NO.	EDC-320119-00-00		
		CHECED : MN. KENJO	20090602	PART NO.	DF50-2830SCFA		
		DESIGNED : TT. OHSAKO	20090601	CODE NO.	CL665-0002-0-00		
		DRAWN : TT. OHSAKO	20090601		1/1		