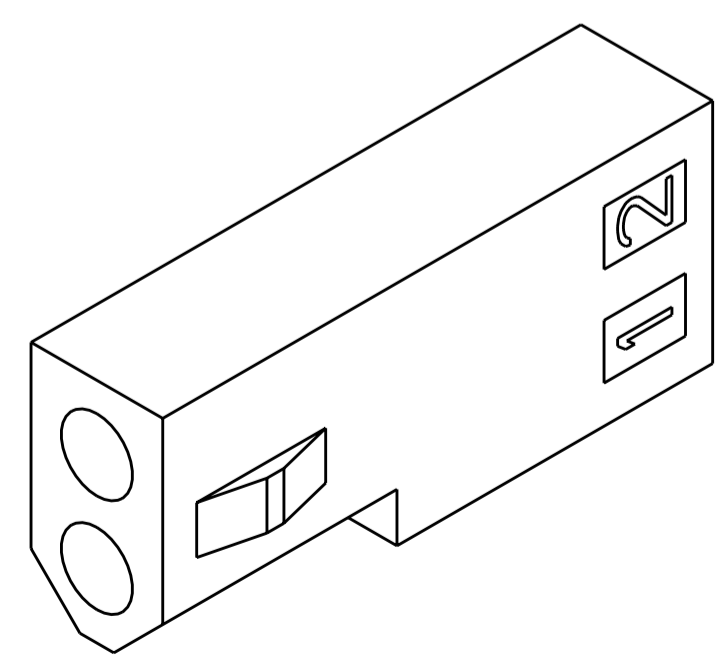
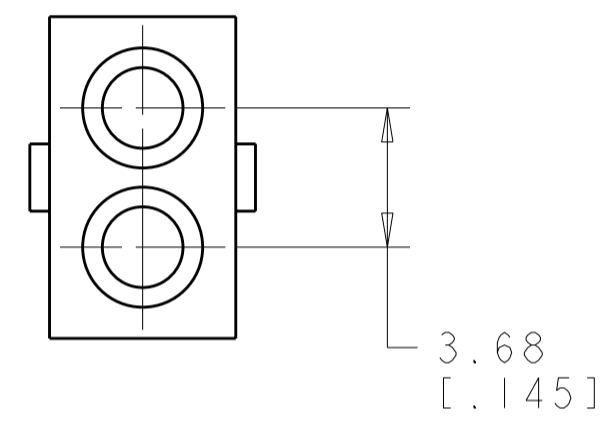
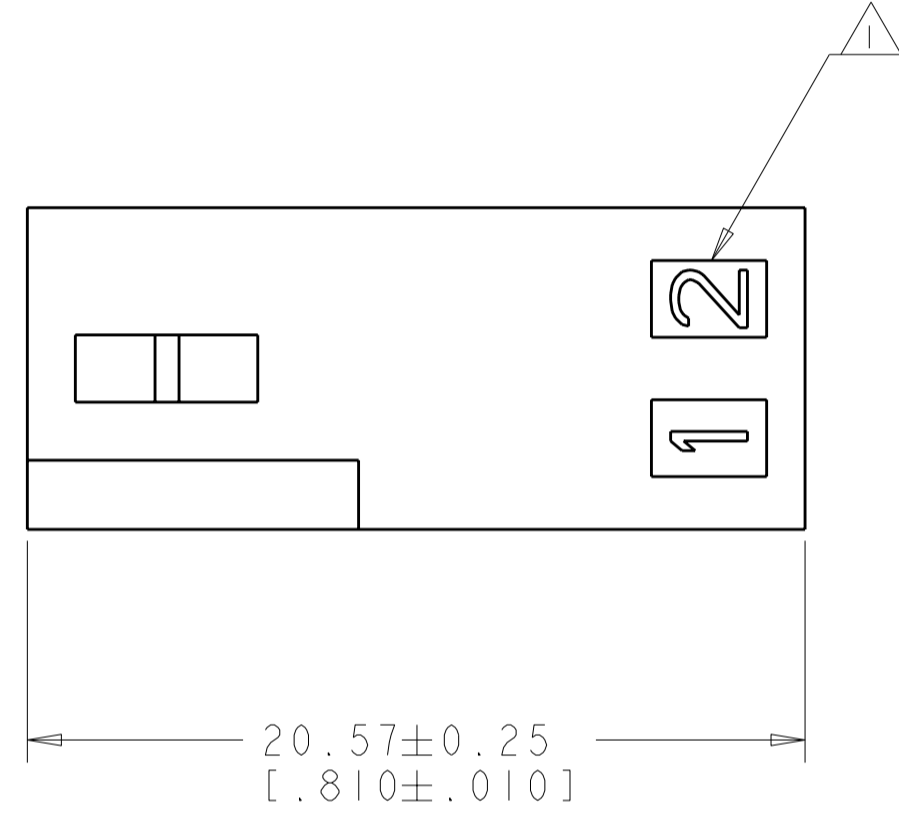
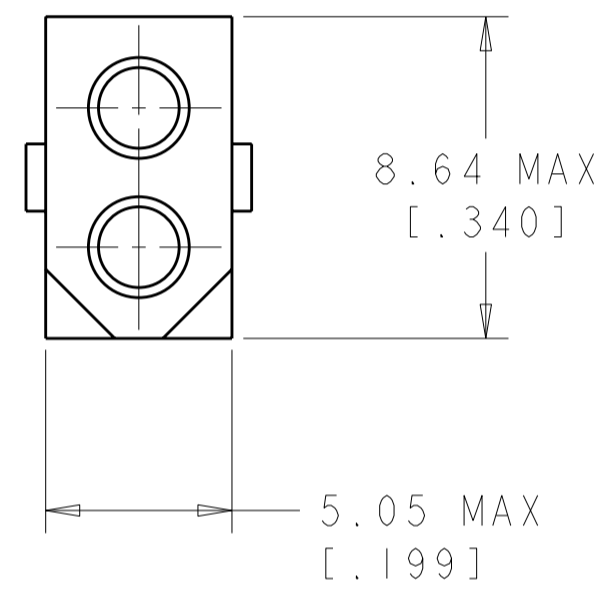


THIS DRAWING IS UNPUBLISHED. RELEASED FOR PUBLICATION 20  
 © COPYRIGHT 20 BY TYCO ELECTRONICS CORPORATION. ALL RIGHTS RESERVED.

LOC	DIST	REVISIONS					
CM	00	P	LTR	DESCRIPTION	DATE	DWN	APVD
			H	REVISED PER ECO-07-011693	22MAY2007	KW	CC

△ AMP LOGO AND CAVITY NUMBER LOCATED ON EITHER SURFACE.



0.035 IN <sup>3</sup>	BLACK	770342-3
0.035 IN <sup>3</sup>	NATURAL	770342-1
VOLUME	COLOR	PART NUMBER

<small>THIS DRAWING IS A CONTROLLED DOCUMENT FOR TYCO ELECTRONICS CORPORATION. IT IS SUBJECT TO CHANGE AND THE CONTROLLING ENGINEERING ORGANIZATION SHOULD BE CONTACTED FOR THE LATEST REVISION.</small>		DWN K. WHITAKER 22MAY2007 CHK C. CASH 22MAY2007 APVD C. CASH 22MAY2007	Tyco Electronics Harrisburg, PA 17105-3608
DIMENSIONS: mm [INCHES]	TOLERANCES UNLESS OTHERWISE SPECIFIED: 0 PLC ±- 1 PLC ±- 2 PLC ±0.13 [.005] 3 PLC ±- 4 PLC ±- ANGLES ±- FINISH	PRODUCT SPEC - APPLICATION SPEC - WEIGHT -	NAME RECEPTACLE, 2 CIRCUIT, .062 PIN AND SOCKET
MATERIAL NYLON, UL94V-2		CUSTOMER DRAWING	SIZE A200779 CAGE CODE C-770342 DRAWING NO 770342 RESTRICTED TO -
AMP 1471-9 REV 31MAR2000		SCALE 5:1	SHEET 1 OF 1 REV H