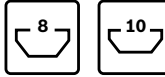


Sliding door profile, PVC

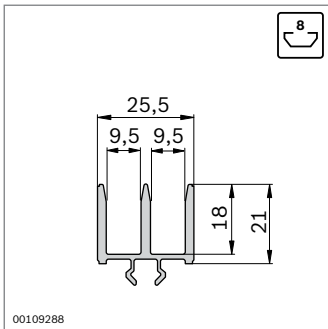


- ▶ Can be clipped into the supporting frame made of strut profiles
- ▶ Round rod to minimize the displacement force required
- ▶ For surface elements of a thickness of 8 mm
- ▶ Insertion of the surface element into closed frame

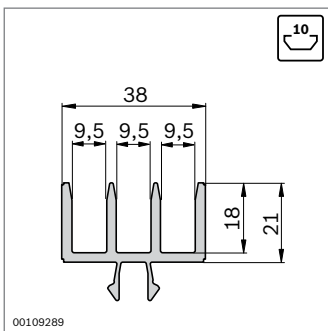
Optional accessories:

- ▶ Edge protector (p. 8-32)
- ▶ Door handle profile (p. 8-32)
- ▶ Bow-type handle (p. 8-23)

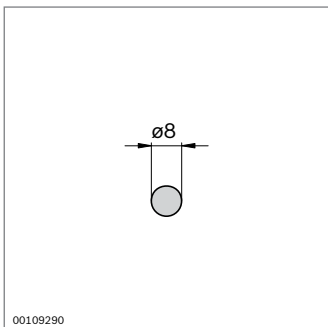
00109291



00109288



00109289



00109290

| Sliding door profile PVC | Slot | L (mm) | | No. |
|--------------------------|------|--------|----|----------------------|
| | 8 | 2000 | 10 | 3 842 526 588 |

Material: PVC; black

| Sliding door profile PVC | Slot | L (mm) | | No. |
|--------------------------|------|--------|----|----------------------|
| | 10 | 2000 | 10 | 3 842 526 591 |

Material: PVC; black

| Round rod | L (mm) | | No. |
|-----------|--------|----|----------------------|
| | 2000 | 10 | 3 842 516 694 |

Material: POM; black