

1) Active surface

**General attributes**

Area of application  
 Scope of delivery

For use with BIL .....A-...  
 2 Cylinder head screws DIN 912 M4x20-A  
 (stainless steel).

Ambient temperature Ta min.

Depth  
 Height (small side)  
 Housing material  
 Width (long side)

-25 °C  
 14.0 mm  
 14.0 mm  
 PA mod.  
 26.0 mm

**Electrical attributes**

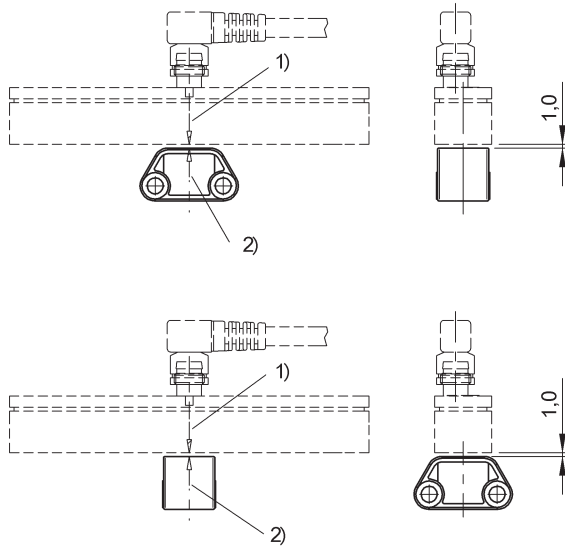
**Mechanical attributes**

Ambient temperature Ta max.

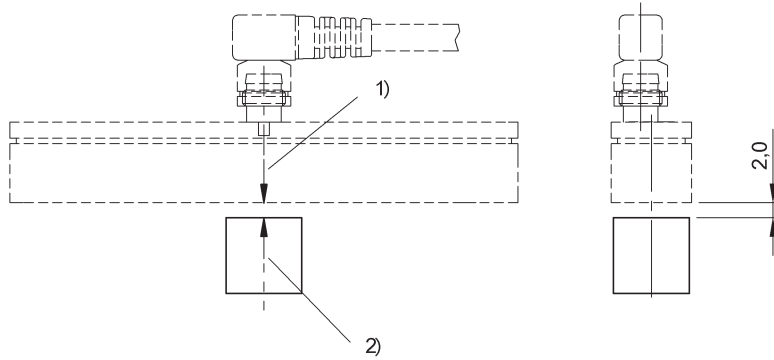
100 °C

**Additional text**

1) Reference axis A for the measured value = 2) Axis of symmetry B of the magnet.



1) Axis A 2) Axis B



1) Axis A 2) Axis B