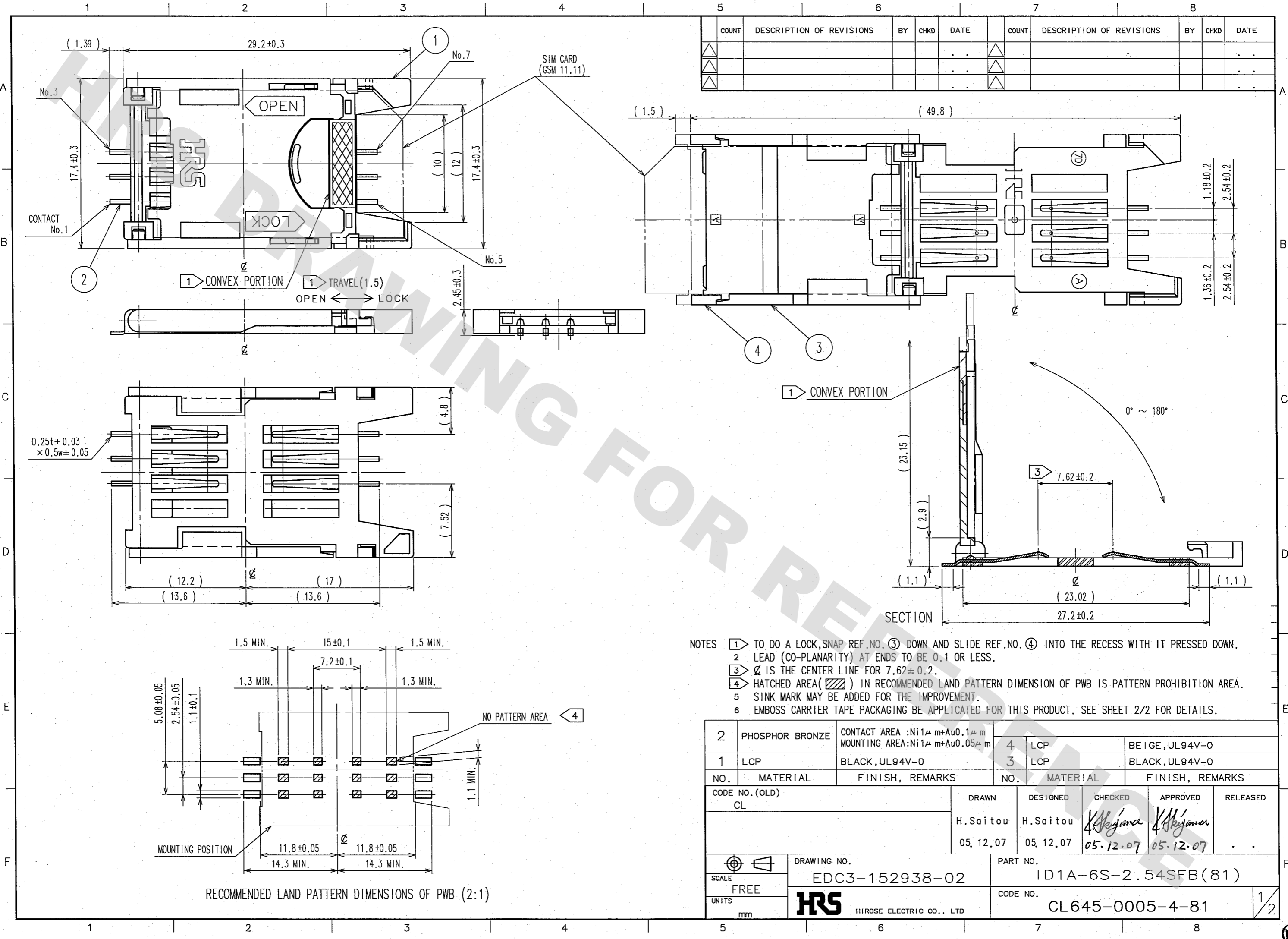


DRAWING FOR REFERENCE: This is subject to change without notice  
08/11/2012



COUNT	DESCRIPTION OF REVISIONS	BY	CHKD	DATE	COUNT	DESCRIPTION OF REVISIONS	BY	CHKD	DATE

- NOTES
- ① TO DO A LOCK, SNAP REF. NO. ③ DOWN AND SLIDE REF. NO. ④ INTO THE RECESS WITH IT PRESSED DOWN.
  - ② LEAD (CO-PLANARITY) AT ENDS TO BE 0.1 OR LESS.
  - ③  $\phi$  IS THE CENTER LINE FOR  $7.62 \pm 0.2$ .
  - ④ HATCHED AREA (▨) IN RECOMMENDED LAND PATTERN DIMENSION OF PWB IS PATTERN PROHIBITION AREA.
  - ⑤ SINK MARK MAY BE ADDED FOR THE IMPROVEMENT.
  - ⑥ EMBOSS CARRIER TAPE PACKAGING BE APPLICATED FOR THIS PRODUCT. SEE SHEET 2/2 FOR DETAILS.

2	PHOSPHOR BRONZE	CONTACT AREA : Ni1 $\mu$ m+Au0.1 $\mu$ m MOUNTING AREA: Ni1 $\mu$ m+Au0.05 $\mu$ m	4	LCP	BEIGE, UL94V-0
1	LCP	BLACK, UL94V-0	3	LCP	BLACK, UL94V-0
NO.	MATERIAL	FINISH, REMARKS	NO.	MATERIAL	FINISH, REMARKS

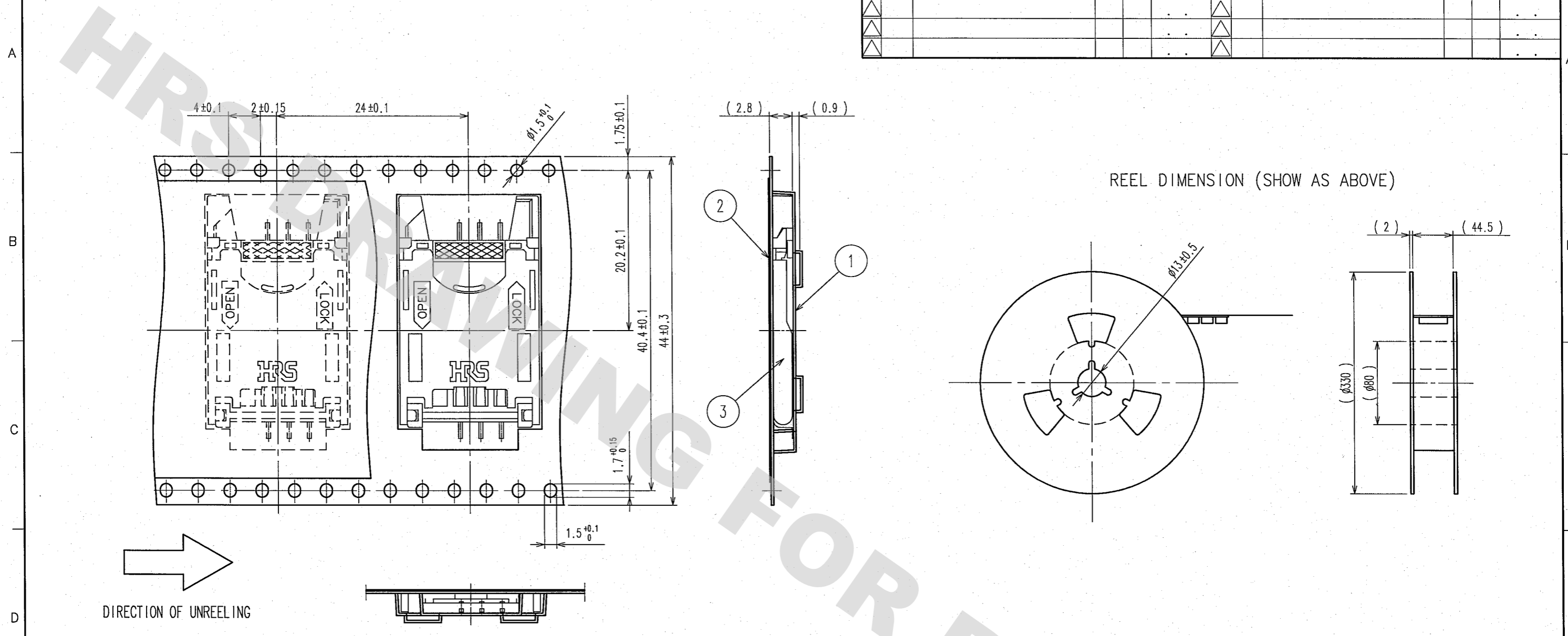
CODE NO. (OLD)	CL	DRAWN	DESIGNED	CHECKED	APPROVED	RELEASED
		H.Saitou	H.Saitou	<i>K. Kojima</i>	<i>K. Kojima</i>	
		05.12.07	05.12.07	05.12.07	05.12.07	

SCALE	FREE	DRAWING NO.	EDC3-152938-02	PART NO.	ID1A-6S-2.54SFB(81)
UNITS	mm	<b>HRS</b>	HIROSE ELECTRIC CO., LTD	CODE NO.	CL645-0005-4-81

TO	
PCK	

1 2 3 4 5 6 7 8

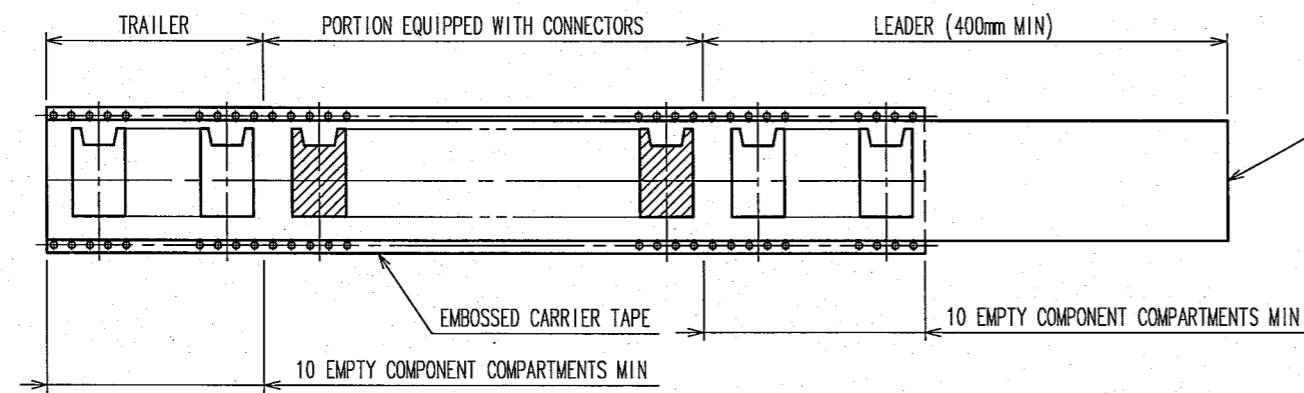
COUNT	DESCRIPTION OF REVISIONS	BY	CHKD	DATE	COUNT	DESCRIPTION OF REVISIONS	BY	CHKD	DATE
△					△				
△					△				
△					△				



NOTES 1 THE DIMENSION IN PARENTHESES ARE FOR REFERENCE.  
2 1REEL : 500 SOCKETS.

DRAWING FOR REFERENCE: This is subject to change without notice  
08/11/2012

TO  
PCK



2	POLYESTER		3	(SOCKET)	
1	PS				
NO.	MATERIAL	FINISH, REMARKS	NO.	MATERIAL	FINISH, REMARKS
CODE NO. (OLD) CL			DRAWN	DESIGNED	CHECKED
DRAWING FOR PACKING			H.Saitou	H.Saitou	K. Hayama
			05.12.07	05.12.07	05.12.07
DRAWING NO. EDC3-152938-02			PART NO. ID1A-6S-2.54SFB(81)		
SCALE FREE			CODE NO. CL645-0005-4-81		
UNITS mm			HRS HIROSE ELECTRIC CO., LTD		

1 2 3 4 5 6 7 8