

## Datasheet

# Stainless Steel Threaded Fitting Hose Nipple

RS Stock number [499-3754](#)



### Features:

Stainless Steel  
150lbs fittings  
Material: S/S 316  
With BSP Screwed end  
Investment casting  
Barrel nipple is made from S/40 pipe

### Specifications:

Connection 1: ½ in R Male  
Connection 2: 13 mm Barbed Male  
Connection Gender 1: Male  
Connection Gender 2: Male  
Fitting Type: Hose Nipple  
Thread Size 1: ½ in  
Thread Standard 1: R

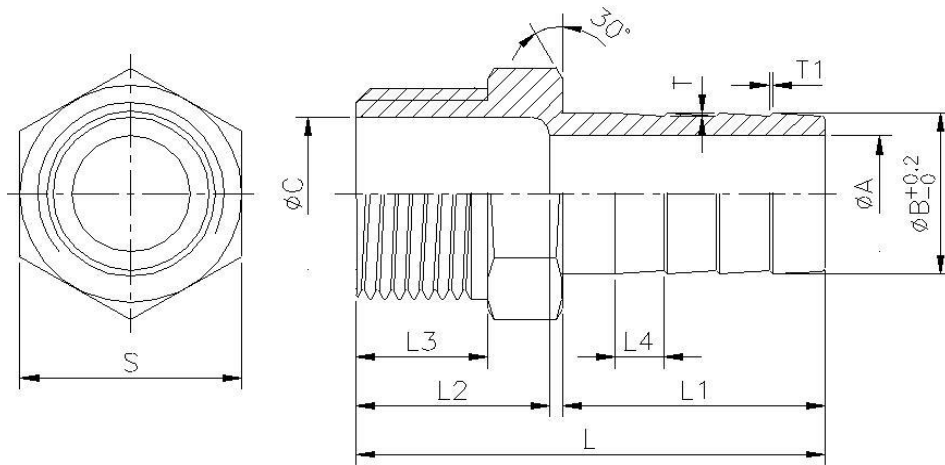


Figure 1

**Measurements:**

A	B	C	L	L1	L2	L3	L4	S	T	T1	Weight (kg)
7	13	16	56.5	32.5	19	15	6.5	23	0.5	N/A	0.0575

All measurements given in the above table are given in mm unless otherwise stated. These measurements are for Figure 1 above.