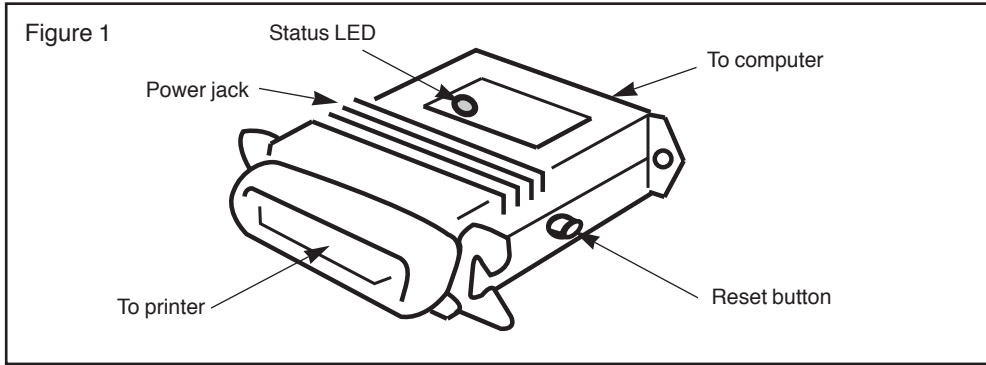




1Mb Flash Data Buffer

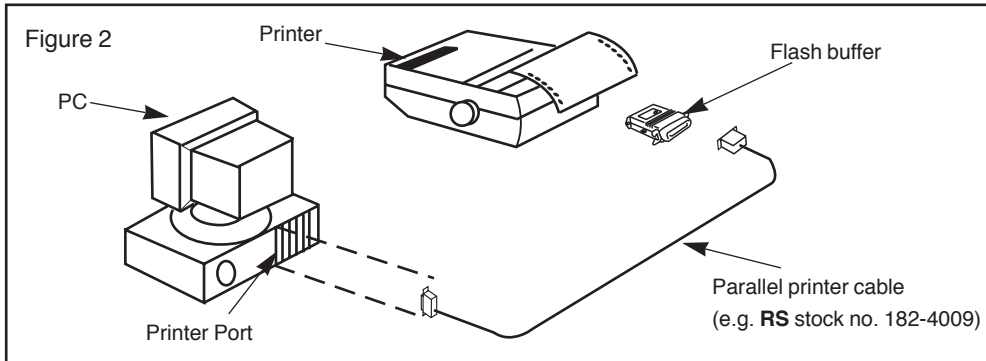
RS Stock No. 199-2714

The Flash Data Buffer is a Centronics Parallel-in Centronics Parallel-out Data Buffer for buffering data from a PC to Centronics Parallel Printer.



Installation procedure

1. Plug the Flash Buffer 36-way male connector into the printers parallel port.
2. Connect the Flash Buffer to a PC using a suitable parallel printer cable (e.g. **RS** stock no. 182-4009).
3. Set up the printer and switch the printer on-line.
4. Switch the PC on.
5. Plug one end of the 9Vdc power adaptor (**RS** stock no. 593-502) into the Flash Buffer power jack. Turn on the Flash Buffer by plugging the power adaptor into the mains outlet.
6. When the LED switches ON after the 3 second self test, the Flash Buffer is ready to use.



- Reset Buffer:** Either un-plug the power or push the reset button.
- After reset:** Flash Buffer performs a 3 second self test. The buffer will then either;
- i) Enter stand-by mode.
 - ii) Repeat self test.
- Send data:** Data can be sent when the Flash Buffer is in stand-by mode (see below).

Figure 3 LED Status

1. Memory self-test: flashes for 1 second, then off for 1 second and repeats
2. Normal mode: waits for data **ON** **OFF**
3. Buffering data:
4. Buffer is full:
5. Error encountered:

Troubleshooting

Defective Status	Possible cause	Check
LED not on.	No power.	1. The DC adaptor is fully operational. 2. The adaptor's plugs and jack are firmly connected.
Printer does not print.	1. Connectors are not properly plugged in. 2. The PC, printer or Flash Buffer has not been set ready for data print out.	1. Make sure the connectors are properly plugged-in. 2. Reset the printer, Flash Buffer and check PC Centronics port.
Printed data is not correct.	1. Connectors are not properly plugged in. 2. Flash Buffer received incorrect data. 3. Not enough power.	1. Make sure the connectors are properly plugged-in. 2. Reset the Flash Buffer. 3. Add power adaptor.

Technical specification

Power consumption _____ 9Vdc, 90mA (maximum)*

Cable distance _____ up to 10m (33ft)

Connector: in _____ Centronics 36-pin, female
out _____ Centronics 36-pin, male

Memory size _____ 256K - 4M bytes

Status indication LED _____ Buffer status, Memory error

Function key _____ Reset key

Buffer speed _____ Maximum 200K Bytes/Sec

Auto data compression rate _____ 15%-85%

Operation temp. _____ 5°C-40°C

Stock temp. _____ -20°C-60°C

Humidity _____ 0% to 80%

Enclosure _____ Plastic

Weight _____ 70g

Dimensions _____ 76x51x20 (mm)

* Flash Buffer may work without the power adaptor on certain printers. Please check the printer's user's manual and see if pin #18 provides power (+5V).