

Slide Potentiometer

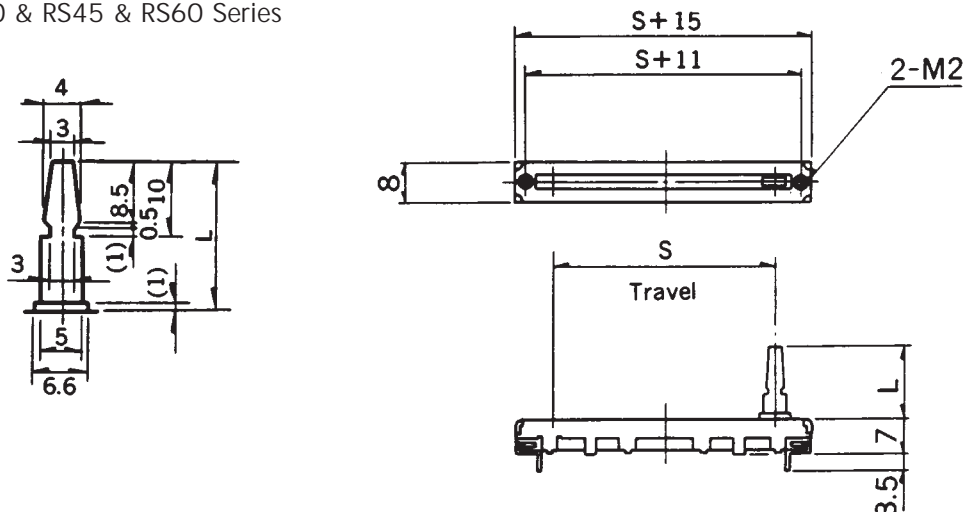
Order Number	Travel of lever (mm)	Number of Elements	Resistance Value (kΩ)	Taper	Lever length (mm)	Tap	Terminal	Uses	Rest of Specification
STRS20101	20 mm	Single Unit	10 kΩ	B= Linear	20 mm	No Tap	Printed Wiring	AC-Use	Standard
STRS20102	20 mm	Single Unit	50 kΩ	B= Linear	20 mm	No Tap	Printed Wiring	AC-Use	Standard
STRS20103	20 mm	Single Unit	100 kΩ	B= Linear	20 mm	No Tap	Printed Wiring	AC-Use	Standard
STRS30101	30 mm	Single Unit	10 kΩ	B= Linear	20 mm	No Tap	Printed Wiring	AC-Use	Standard
STRS30102	30 mm	Single Unit	50 kΩ	B= Linear	20 mm	No Tap	Printed Wiring	AC-Use	Standard
STRS30103	30 mm	Single Unit	100 kΩ	B= Linear	20 mm	No Tap	Printed Wiring	AC-Use	Standard
STRS45101	45 mm	Single Unit	10 kΩ	B= Linear	20 mm	No Tap	Printed Wiring	AC-Use	Standard
STRS45102	45 mm	Single Unit	50 kΩ	B= Linear	20 mm	No Tap	Printed Wiring	AC-Use	Standard
STRS45103	45 mm	Single Unit	100 kΩ	B= Linear	20 mm	No Tap	Printed Wiring	AC-Use	Standard
STRS20104	20 mm	Dual Unit	2x10 kΩ	B= Linear	20 mm	No Tap	Printed Wiring	AC-Use	Standard
STRS20105	20 mm	Dual Unit	2x50 kΩ	B= Linear	20 mm	No Tap	Printed Wiring	AC-Use	Standard
STRS20106	20 mm	Dual Unit	2x100 kΩ	B= Linear	20 mm	No Tap	Printed Wiring	AC-Use	Standard
STRS30104	30 mm	Dual Unit	2x10 kΩ	B= Linear	20 mm	No Tap	Printed Wiring	AC-Use	Standard
STRS30105	30 mm	Dual Unit	2x50 kΩ	B= Linear	20 mm	No Tap	Printed Wiring	AC-Use	Standard
STRS30106	30 mm	Dual Unit	2x100 kΩ	B= Linear	20 mm	No Tap	Printed Wiring	AC-Use	Standard
STRS45104	45 mm	Dual Unit	2x10 kΩ	B= Linear	20 mm	No Tap	Printed Wiring	AC-Use	Standard
STRS45105	45 mm	Dual Unit	2x50 kΩ	B= Linear	20 mm	No Tap	Printed Wiring	AC-Use	Standard
STRS45106	45 mm	Dual Unit	2x100 kΩ	B= Linear	20 mm	No Tap	Printed Wiring	AC-Use	Standard
STRS60101	60 mm	Single Unit	10 kΩ	B= Linear	20 mm	No Tap	Printed Wiring	AC-Use	Standard
STRS60102	60 mm	Single Unit	10 kΩ	A= Logarithmic	20 mm	No Tap	Printed Wiring	AC-Use	Standard
STRS60103	60 mm	Single Unit	50 kΩ	B= Linear	20 mm	No Tap	Printed Wiring	AC-Use	Standard
STRS60104	60 mm	Single Unit	100 kΩ	B= Linear	20 mm	No Tap	Printed Wiring	AC-Use	Standard

Standard Specifications:

Sliding Life: 15000 Cycles
 Resistance Tolerance: 20% ±
 Rated Power: 0,025 - 0,2W Depending on Type and Taper
 Max. Operating Voltage (AC): 50 - 200V Depending on Type and Taper
 Insulation Resistance: 100 MΩ at 250 VDC

Number of Levers: 1; Details: Vertical Type; Detents: No Detent; Attachment: No

RS20 & RS30 & RS45 & RS60 Series



Unit: (mm)