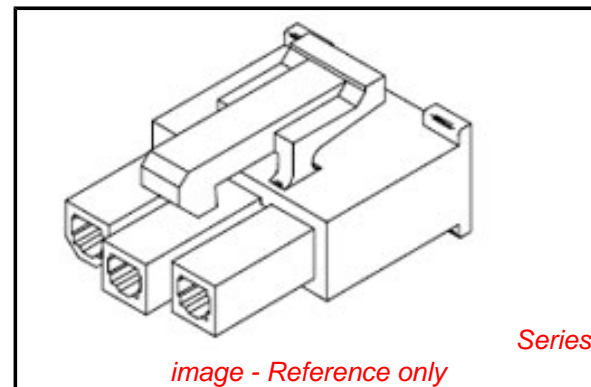


PLEASE CHECK WWW.MOLEX.COM FOR LATEST PART INFORMATION

Part Number: [50-29-1662](#)
Status: **Active**
Overview: Mini-Fit Jr.™ Power Connectors
Description: Mini-Fit Jr.™ Receptacle Housing, Single Row, PA Polyamide Nylon 6/6, UL 94V-2, 3 Circuits, Positive Latch, First Mate/Last Break, Glow Wire Compatible

Documents:

| | |
|--|---|
| 3D Model | Packaging Specification PK-5557-003 (PDF) |
| Drawing (PDF) | Test Summary TS-5556-002 (PDF) |
| Product Specification PS-45750-001 (PDF) | RoHS Certificate of Compliance (PDF) |
| Product Specification PS-5556-001 (PDF) | |



Agency Certification

| | |
|-----|---------|
| CSA | LR19980 |
| UL | E29179 |

General

| | |
|----------------|--|
| Product Family | Crimp Housings |
| Series | 46994 |
| Application | Power, Wire-to-Board, Wire-to-Wire |
| Comments | Current = 13A max. per circuit when header is mated to a receptacle loaded with 45750 series terminals crimped to 16 AWG wire. . See Molex product specification PS-45750-001 for additional current derating information. |
| Overview | Mini-Fit Jr.™ Power Connectors |
| Product Name | Mini-Fit Jr.™ |
| UPC | 822348516322 |

Physical

| | |
|-------------------------------|-----------------|
| Breakaway | No |
| Circuits (maximum) | 3 |
| Color - Resin | Black |
| Flammability | 94V-2 |
| Gender | Receptacle |
| Glow-Wire Compliant | Yes |
| Keying to Mating Part | None |
| Lock to Mating Part | Yes |
| Material - Resin | Nylon |
| Net Weight | 0.950/g |
| Number of Rows | 1 |
| Packaging Type | Bag |
| Panel Mount | No |
| Pitch - Mating Interface | 4.20mm |
| Pitch - Termination Interface | 4.20mm |
| Polarized to Mating Part | Yes |
| Ports | 1 |
| Stackable | No |
| Temperature Range - Operating | -40°C to +105°C |

Electrical

| | |
|-------------------------------|-----|
| Current - Maximum per Contact | 13A |
|-------------------------------|-----|

Material Info

| | |
|-----------------|------------|
| Old Part Number | 46994-0312 |
|-----------------|------------|

Reference - Drawing Numbers

| | |
|---|--|
| EU RoHS ELV and RoHS Compliant REACH SVHC Contains SVHC: No Low-Halogen Status Not Low-Halogen | China RoHS  |
|---|--|

Need more information on product environmental compliance?

Email productcompliance@molex.com
For a multiple part number RoHS Certificate of Compliance, [click here](#)

Please visit the [Contact Us](#) section for any non-product compliance questions.

Search Parts in this Series
[46994Series](#)

Mates With
[5559](#) Crimp Housings Plug,

Use With
[5556](#) Mini-Fit® Female Crimp Terminals

Packaging Specification
Product Specification
Sales Drawing
Test Summary

PK-5557-003
PS-45750-001, PS-5556-001, RPS-5556-004
SD-46994-0001
TS-5556-002

This document was generated on 02/13/2015

PLEASE CHECK WWW.MOLEX.COM FOR LATEST PART INFORMATION