

# DATA SHEET

## **74LVC126A**

Quad buffer/line driver with 5-volt tolerant  
inputs/outputs (3-State)

Product specification  
Supersedes data of 1997 Aug 01  
IC24 Data Handbook

1998 Apr 28

# Quad buffer/line driver with 5-volt tolerant inputs/outputs (3-state)

## 74LVC126A

### FEATURES

- 5-volt tolerant inputs/outputs, for interfacing with 5-volt logic
- Supply voltage range of 1.2V to 3.6V
- Complies with JEDEC standard no. 8-1A
- CMOS low power consumption
- Direct interface with TTL levels
- High impedance when  $V_{CC} = 0V$

### DESCRIPTION

The 74LVC126A is a high performance, low-power, low-voltage Si-gate CMOS device and superior to most advanced CMOS compatible TTL families.

Inputs can be driven from either 3.3V or 5.0V devices. In 3-state operation, outputs can handle 5V.

The 74LVC126A consists of four non-inverting buffers/line drivers with 3-state outputs. The 3-state outputs (nY) are controlled by the output enable input (nOE). A LOW at nOE causes the outputs to assume a high impedance OFF-state.

### QUICK REFERENCE DATA

GND = 0 V;  $T_{amb} = 25^{\circ}C$ ;  $t_r = t_f \leq 2.5$  ns

SYMBOL	PARAMETER	CONDITIONS	TYPICAL	UNIT
$t_{PHL}/t_{PLH}$	Propagation delay nA to nY	$C_L = 50$ pF; $V_{CC} = 3.3$ V	3.0	ns
$C_I$	Input capacitance		5.0	pF
$C_{PD}$	Power dissipation capacitance per buffer	$V_{CC} = 3.3$ V	20	pF

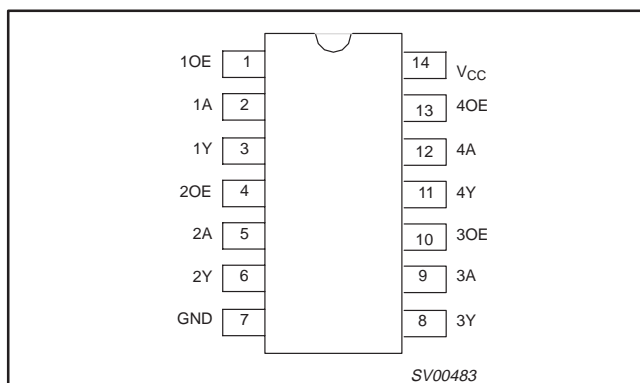
#### NOTES:

- $C_{PD}$  is used to determine the dynamic power dissipation ( $P_D$  in  $\mu W$ )  
 $P_D = C_{PD} \times V_{CC}^2 \times f_i + \sum (C_L \times V_{CC}^2 \times f_o)$  where:  
 $f_i$  = input frequency in MHz;  $C_L$  = output load capacity in pF;  
 $f_o$  = output frequency in MHz;  $V_{CC}$  = supply voltage in V;  
 $\sum (C_L \times V_{CC}^2 \times f_o)$  = sum of the outputs.
- The condition is  $V_I = GND$  to  $V_{CC}$

### ORDERING INFORMATION

PACKAGES	TEMPERATURE RANGE	OUTSIDE NORTH AMERICA	NORTH AMERICA	PKG. DWG. #
14-Pin Plastic SO	$-40^{\circ}C$ to $+125^{\circ}C$	74LVC126A D	74LVC126A D	SOT108-1
14-Pin Plastic SSOP Type II	$-40^{\circ}C$ to $+125^{\circ}C$	74LVC126A DB	74LVC126A DB	SOT337-1
14-Pin Plastic TSSOP Type I	$-40^{\circ}C$ to $+125^{\circ}C$	74LVC126A PW	74LVC126APW DH	SOT402-1

### PIN CONFIGURATION



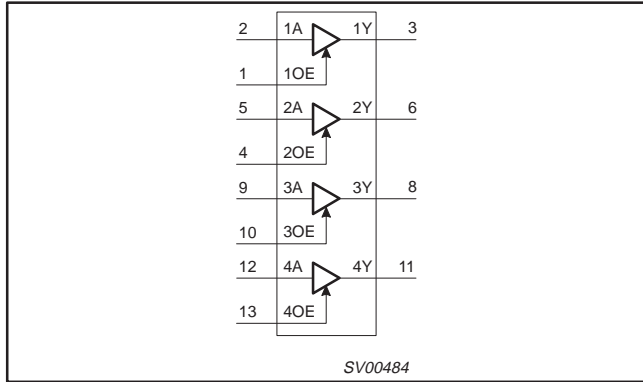
### PIN DESCRIPTION

PIN NUMBER	SYMBOL	NAME AND FUNCTION
1, 4, 10, 13	1OE – 4OE	Data enable inputs (active HIGH)
2, 5, 9, 12	1A – 4A	Data inputs
3, 6, 8, 11	1Y – 4Y	Data Outputs
7	GND	Ground (0 V)
14	$V_{CC}$	Positive supply voltage

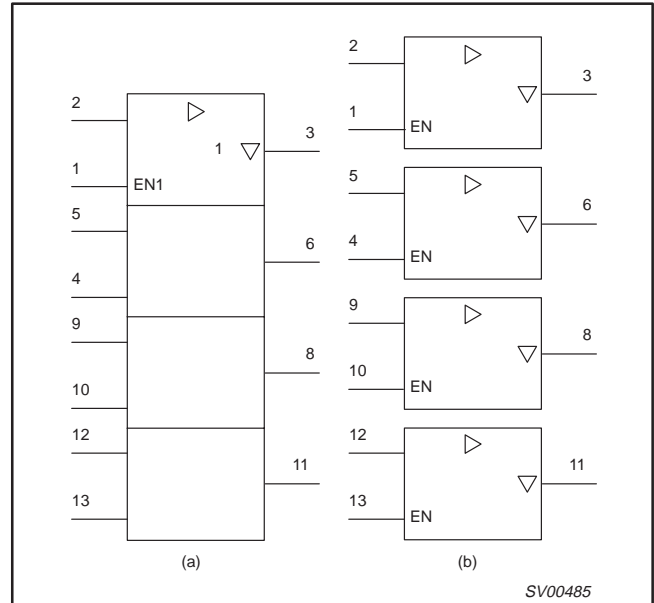
# Quad buffer/line driver with 5-volt tolerant inputs/outputs (3-state)

74LVC126A

## LOGIC SYMBOL



## LOGIC SYMBOL (IEEE/IEC)



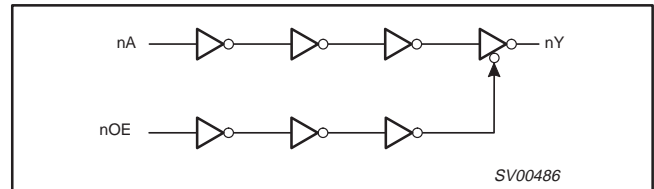
## FUNCTION TABLE

INPUTS		OUTPUT
nOE	nA	nY
H	L	L
H	H	H
L	X	Z

### NOTES:

- H = HIGH voltage level
- L = LOW voltage level
- X = don't care
- Z = high impedance OFF-state

## LOGIC DIAGRAM



## RECOMMENDED OPERATING CONDITIONS

SYMBOL	PARAMETER	CONDITIONS	LIMITS		UNIT
			MIN	MAX	
V <sub>CC</sub>	DC supply voltage (for max. speed performance)		2.7	3.6	V
	DC supply voltage (for low-voltage applications)		1.2	3.6	
V <sub>I</sub>	DC input voltage range		0	5.5	V
V <sub>O</sub>	DC output voltage range; output HIGH or LOW state		0	V <sub>CC</sub>	V
	DC output voltage range; output 3-State		0	5.5	
T <sub>amb</sub>	Operating ambient temperature range in free-air		-40	+85	°C
t <sub>p</sub> , t <sub>f</sub>	Input rise and fall times	V <sub>CC</sub> = 1.2 to 2.7V	0	20	ns/V
		V <sub>CC</sub> = 2.7 to 3.6V	0	10	

# Quad buffer/line driver with 5-volt tolerant inputs/outputs (3-state)

74LVC126A

## ABSOLUTE MAXIMUM RATINGS<sup>1</sup>

In accordance with the Absolute Maximum Rating System (IEC 134)

Voltages are referenced to GND (ground = 0V)

SYMBOL	PARAMETER	CONDITIONS	RATING	UNIT
$V_{CC}$	DC supply voltage		-0.5 to +6.5	V
$I_{IK}$	DC input diode current	$V_I < 0$	-50	mA
$V_I$	DC input voltage	Note 2	-0.5 to +5.5	V
$I_{OK}$	DC output diode current	$V_O > V_{CC}$ or $V_O < 0$	$\pm 50$	mA
$V_O$	DC output voltage; output HIGH or LOW state	Note 2	-0.5 to $V_{CC} + 0.5$	V
	DC output voltage; output 3-State	Note 2	-0.5 to 6.5	
$I_O$	DC output source or sink current	$V_O = 0$ to $V_{CC}$	$\pm 50$	mA
$I_{GND}, I_{CC}$	DC $V_{CC}$ or GND current		$\pm 100$	mA
$T_{stg}$	Storage temperature range		-65 to +150	°C
$P_{TOT}$	Power dissipation per package – plastic mini-pack (SO) – plastic shrink mini-pack (SSOP and TSSOP)	above +70°C derate linearly with 8 mW/K	500	mW
		above +60°C derate linearly with 5.5 mW/K	500	

### NOTES:

- Stresses beyond those listed may cause permanent damage to the device. These are stress ratings only and functional operation of the device at these or any other conditions beyond those indicated under "recommended operating conditions" is not implied. Exposure to absolute-maximum-rated conditions for extended periods may affect device reliability.
- The input and output voltage ratings may be exceeded if the input and output current ratings are observed.

## DC ELECTRICAL CHARACTERISTICS

Over recommended operating conditions voltages are referenced to GND (ground = 0V)

SYMBOL	PARAMETER	TEST CONDITIONS	LIMITS			UNIT
			Temp = -40°C to +85°C			
			MIN	TYP <sup>1</sup>	MAX	
$V_{IH}$	HIGH level Input voltage	$V_{CC} = 1.2V$	$V_{CC}$			V
		$V_{CC} = 2.7$ to $3.6V$	2.0			
$V_{IL}$	LOW level Input voltage	$V_{CC} = 1.2V$			GND	V
		$V_{CC} = 2.7$ to $3.6V$			0.8	
$V_{OH}$	HIGH level output voltage	$V_{CC} = 2.7V; V_I = V_{IH}$ or $V_{IL}; I_O = -12mA$	$V_{CC} - 0.5$			V
		$V_{CC} = 3.0V; V_I = V_{IH}$ or $V_{IL}; I_O = -100\mu A$	$V_{CC} - 0.2$	$V_{CC}$		
		$V_{CC} = 3.0V; V_I = V_{IH}$ or $V_{IL}; I_O = -18mA$	$V_{CC} - 0.6$			
		$V_{CC} = 3.0V; V_I = V_{IH}$ or $V_{IL}; I_O = -24mA$	$V_{CC} - 0.8$			
$V_{OL}$	LOW level output voltage	$V_{CC} = 2.7V; V_I = V_{IH}$ or $V_{IL}; I_O = 12mA$			0.40	V
		$V_{CC} = 3.0V; V_I = V_{IH}$ or $V_{IL}; I_O = 100\mu A$			0.20	
		$V_{CC} = 3.0V; V_I = V_{IH}$ or $V_{IL}; I_O = 24mA$			0.55	
$I_I$	Input leakage current	$V_{CC} = 3.6V; V_I = 5.5V$ or GND		$\pm 0.1$	$\pm 5$	$\mu A$
$I_{OZ}$	3-State output OFF-state current	$V_{CC} = 0.0V; V_I$ or $V_O = 5.5V$			$\pm 5$	$\mu A$
$I_{OFF}$	Power off leakage current	$V_{CC} = 3.6V; V_I = V_{IH}$ or $V_{IL}; V_O = V_{CC}$ or GND		0.1	$\pm 10$	$\mu A$
$I_{CC}$	Quiescent supply current	$V_{CC} = 3.6V; V_I = V_{CC}$ or GND; $I_O = 0$		0.1	10	$\mu A$
$\Delta I_{CC}$	Additional quiescent supply current per input pin	$V_{CC} = 2.7V$ to $3.6V; V_I = V_{CC} - 0.6V; I_O = 0$		5	500	$\mu A$

### NOTES:

- All typical values are at  $V_{CC} = 3.3V$  and  $T_{amb} = 25^\circ C$ .

# Quad buffer/line driver with 5-volt tolerant inputs/outputs (3-state)

## 74LVC126A

### AC CHARACTERISTICS

GND = 0 V;  $t_r = t_f = 2.5$  ns;  $C_L = 50$  pF;  $R_L = 500\Omega$

SYMBOL	PARAMETER	WAVEFORM	LIMITS						UNIT
			$V_{CC} = 3.3V \pm 0.3V$			$V_{CC} = 2.7V$		$V_{CC} = 1.2V$	
			MIN	TYP <sup>1</sup>	MAX	MIN	MAX	TYP	
$t_{PHL}$ $t_{PLH}$	Propagation delay nA to nY	Figures 1, 3	1.5	3.2	5.5	1.5	6.5	13.0	ns
$t_{PZH}$ $t_{PZL}$	3-state output enable time nOE to nY	Figures 2, 3	1.5	3.9	6.3	1.5	7.3	13.0	ns
$t_{PHZ}$ $t_{PLZ}$	3-state output disable time nOE to nY	Figures 2, 3	1.5	4.4	6.2	1.5	7.2	10	ns

**NOTE:**

1. These typical values are at  $V_{CC} = 3.3V$  and  $T_{amb} = 25^\circ C$ .

### AC WAVEFORMS

$V_M = 1.5$  V at  $V_{CC} \geq 2.7$  V

$V_M = 0.5 \cdot V_{CC}$  at  $V_{CC} < 2.7$  V

$V_{OL}$  and  $V_{OH}$  are the typical output voltage drop that occur with the output load.

$V_X = V_{OL} + 0.3$  V at  $V_{CC} \geq 2.7$  V;  $V_X = V_{OL} + 0.1 \cdot V_{CC}$  at  $V_{CC} < 2.7$  V

$V_Y = V_{OH} - 0.3$  V at  $V_{CC} \geq 2.7$  V;  $V_Y = V_{OH} - 0.1 \cdot V_{CC}$  at  $V_{CC} < 2.7$  V

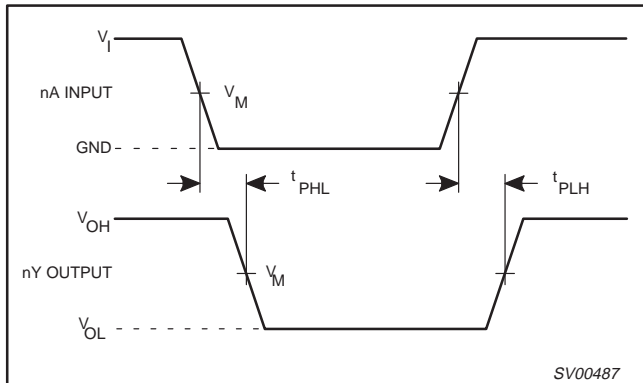


Figure 1. Input (nA) to output (nY) propagation delays.

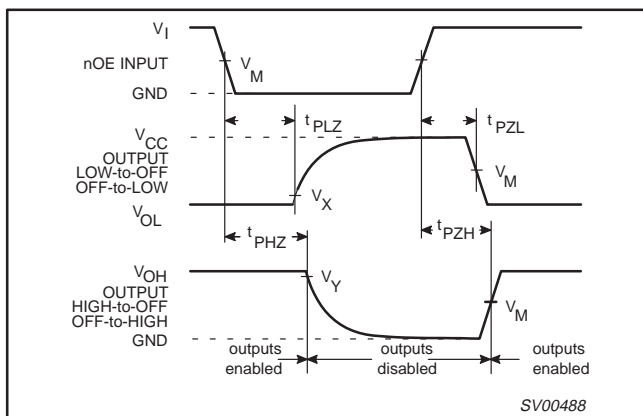


Figure 2. 3-state enable and disable times.

### TEST CIRCUIT

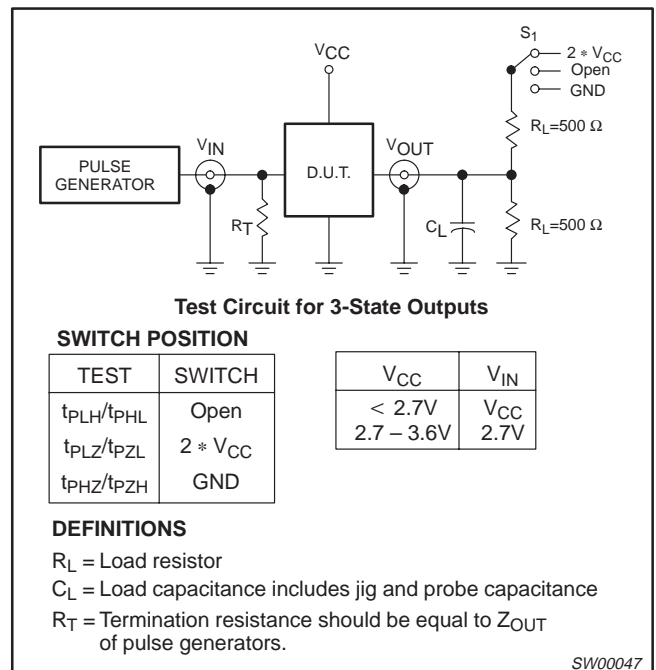


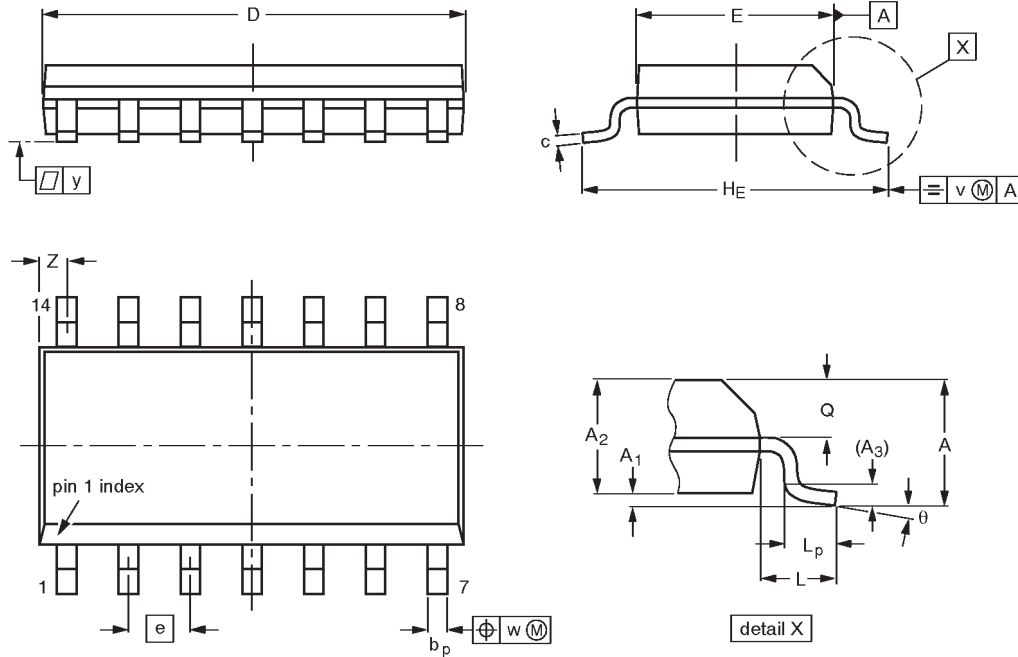
Figure 3. Load circuitry for switching times.

# Quad buffer/line driver with 5-volt tolerant inputs/outputs (3-State)

## 74LVC126A

**SO14: plastic small outline package; 14 leads; body width 3.9 mm**

**SOT108-1**



**DIMENSIONS (inch dimensions are derived from the original mm dimensions)**

UNIT	A max.	A <sub>1</sub>	A <sub>2</sub>	A <sub>3</sub>	b <sub>p</sub>	c	D <sup>(1)</sup>	E <sup>(1)</sup>	e	H <sub>E</sub>	L	L <sub>p</sub>	Q	v	w	y	Z <sup>(1)</sup>	θ
mm	1.75	0.25 0.10	1.45 1.25	0.25	0.49 0.36	0.25 0.19	8.75 8.55	4.0 3.8	1.27	6.2 5.8	1.05	1.0 0.4	0.7 0.6	0.25	0.25	0.1	0.7 0.3	8° 0°
inches	0.069	0.0098 0.0039	0.057 0.049	0.01	0.019 0.014	0.0098 0.0075	0.35 0.34	0.16 0.15	0.050	0.24 0.23	0.041	0.039 0.016	0.028 0.024	0.01	0.01	0.004	0.028 0.012	

**Note**

1. Plastic or metal protrusions of 0.15 mm maximum per side are not included.

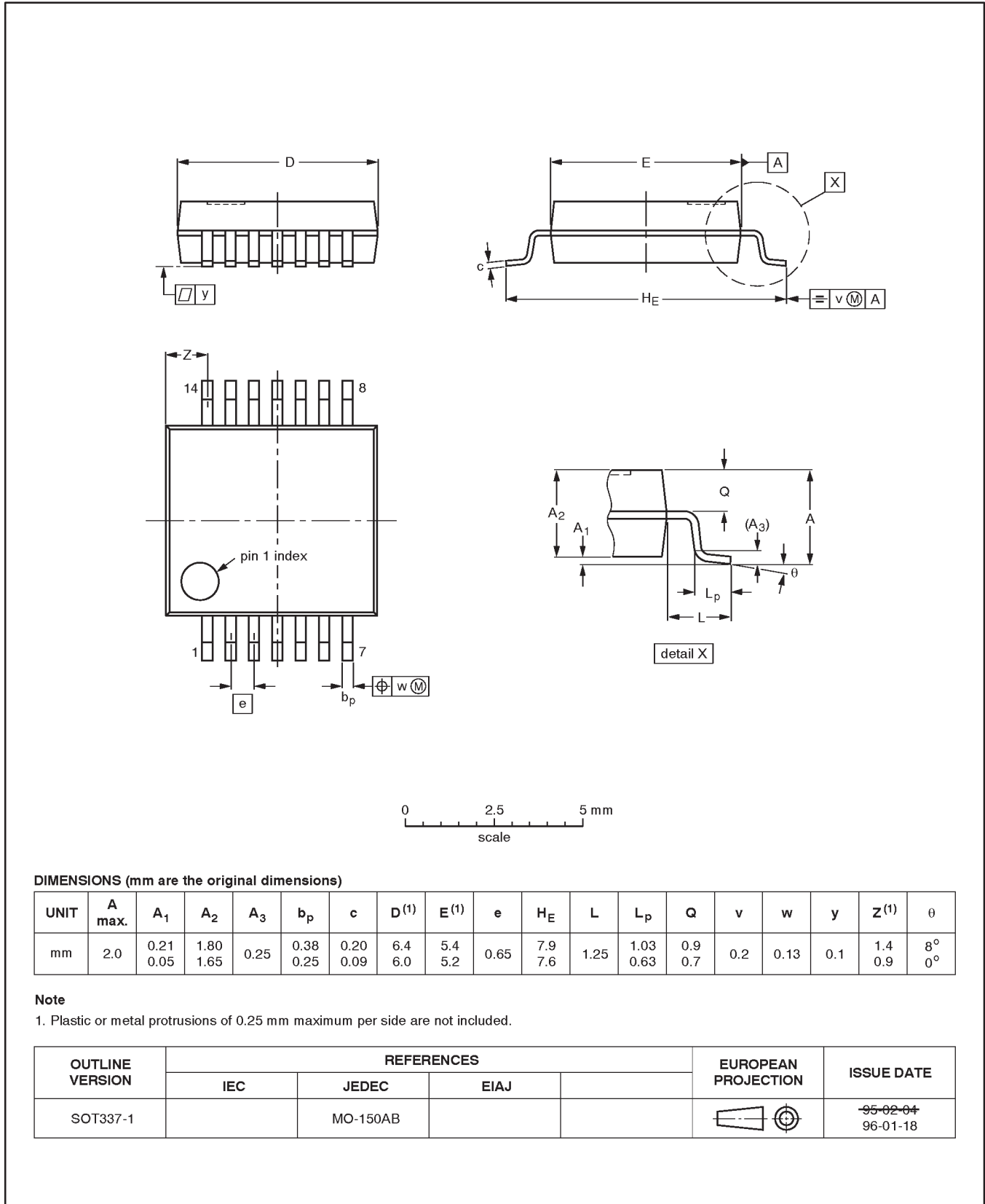
OUTLINE VERSION	REFERENCES				EUROPEAN PROJECTION	ISSUE DATE
	IEC	JEDEC	EIAJ			
SOT108-1	076E06S	MS-012AB				91-08-13 95-01-23

# Quad buffer/line driver with 5-volt tolerant inputs/outputs (3-State)

## 74LVC126A

**SSOP14:** plastic shrink small outline package; 14 leads; body width 5.3 mm

**SOT337-1**



**DIMENSIONS (mm are the original dimensions)**

UNIT	A max.	A <sub>1</sub>	A <sub>2</sub>	A <sub>3</sub>	b <sub>p</sub>	c	D <sup>(1)</sup>	E <sup>(1)</sup>	e	H <sub>E</sub>	L	L <sub>p</sub>	Q	v	w	y	Z <sup>(1)</sup>	θ
mm	2.0	0.21 0.05	1.80 1.65	0.25	0.38 0.25	0.20 0.09	6.4 6.0	5.4 5.2	0.65	7.9 7.6	1.25	1.03 0.63	0.9 0.7	0.2	0.13	0.1	1.4 0.9	8° 0°

**Note**

1. Plastic or metal protrusions of 0.25 mm maximum per side are not included.

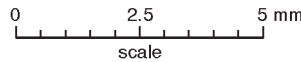
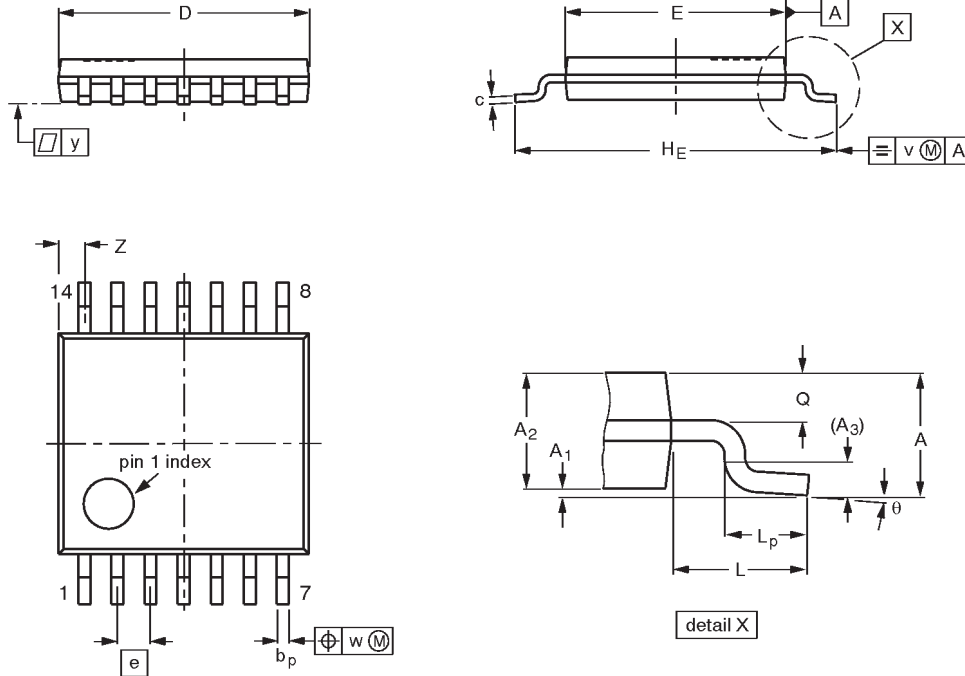
OUTLINE VERSION	REFERENCES				EUROPEAN PROJECTION	ISSUE DATE
	IEC	JEDEC	EIAJ			
SOT337-1		MO-150AB				<del>95-02-04</del> 96-01-18

# Quad buffer/line driver with 5-volt tolerant inputs/outputs (3-State)

## 74LVC126A

**TSSOP14:** plastic thin shrink small outline package; 14 leads; body width 4.4 mm

**SOT402-1**



**DIMENSIONS (mm are the original dimensions)**

UNIT	A max.	A <sub>1</sub>	A <sub>2</sub>	A <sub>3</sub>	b <sub>p</sub>	c	D <sup>(1)</sup>	E <sup>(2)</sup>	e	H <sub>E</sub>	L	L <sub>p</sub>	Q	v	w	y	Z <sup>(1)</sup>	θ
mm	1.10	0.15 0.05	0.95 0.80	0.25	0.30 0.19	0.2 0.1	5.1 4.9	4.5 4.3	0.65	6.6 6.2	1.0	0.75 0.50	0.4 0.3	0.2	0.13	0.1	0.72 0.38	8° 0°

**Notes**

1. Plastic or metal protrusions of 0.15 mm maximum per side are not included.
2. Plastic interlead protrusions of 0.25 mm maximum per side are not included.

OUTLINE VERSION	REFERENCES				EUROPEAN PROJECTION	ISSUE DATE
	IEC	JEDEC	EIAJ			
SOT402-1		MO-153				-94-07-12- 95-04-04

---

Quad buffer/line driver with 5-volt tolerant  
inputs/outputs (3-State)

---

74LVC126A

**NOTES**

# Quad buffer/line driver with 5-volt tolerant inputs/outputs (3-State)

74LVC126A

## Data sheet status

Data sheet status	Product status	Definition [1]
Objective specification	Development	This data sheet contains the design target or goal specifications for product development. Specification may change in any manner without notice.
Preliminary specification	Qualification	This data sheet contains preliminary data, and supplementary data will be published at a later date. Philips Semiconductors reserves the right to make changes at any time without notice in order to improve design and supply the best possible product.
Product specification	Production	This data sheet contains final specifications. Philips Semiconductors reserves the right to make changes at any time without notice in order to improve design and supply the best possible product.

[1] Please consult the most recently issued datasheet before initiating or completing a design.

## Definitions

**Short-form specification** — The data in a short-form specification is extracted from a full data sheet with the same type number and title. For detailed information see the relevant data sheet or data handbook.

**Limiting values definition** — Limiting values given are in accordance with the Absolute Maximum Rating System (IEC 134). Stress above one or more of the limiting values may cause permanent damage to the device. These are stress ratings only and operation of the device at these or at any other conditions above those given in the Characteristics sections of the specification is not implied. Exposure to limiting values for extended periods may affect device reliability.

**Application information** — Applications that are described herein for any of these products are for illustrative purposes only. Philips Semiconductors make no representation or warranty that such applications will be suitable for the specified use without further testing or modification.

## Disclaimers

**Life support** — These products are not designed for use in life support appliances, devices or systems where malfunction of these products can reasonably be expected to result in personal injury. Philips Semiconductors customers using or selling these products for use in such applications do so at their own risk and agree to fully indemnify Philips Semiconductors for any damages resulting from such application.

**Right to make changes** — Philips Semiconductors reserves the right to make changes, without notice, in the products, including circuits, standard cells, and/or software, described or contained herein in order to improve design and/or performance. Philips Semiconductors assumes no responsibility or liability for the use of any of these products, conveys no license or title under any patent, copyright, or mask work right to these products, and makes no representations or warranties that these products are free from patent, copyright, or mask work right infringement, unless otherwise specified.

Philips Semiconductors  
811 East Arques Avenue  
P.O. Box 3409  
Sunnyvale, California 94088-3409  
Telephone 800-234-7381

© Copyright Philips Electronics North America Corporation 1998  
All rights reserved. Printed in U.S.A.

print code

Date of release: 05-96

Document order number:

9397-750-04492

*Let's make things better.*