

Conductor connectors - QPD CW 4X2,5/1X6-10 GY - 1582536

Please be informed that the data shown in this PDF Document is generated from our Online Catalog. Please find the complete data in the user's documentation. Our General Terms of Use for Downloads are valid (<http://phoenixcontact.com/download>)



Cable connector panel feed-through, single-sided with QPD nut, gray, 4-pos. without PE, 1.0 mm² ... 2.5 mm²/630 V/20 A, for cable diameters of 6 mm ... 10 mm.

Your advantages

- ✓ Innovative and time saving - QUICKON fast connection for time saving of up to 80 % for on-site connection
- ✓ Convenient: quick and easy assembly without special tools
- ✓ Robust throughout: housing with IP68/IP69K and IK07 protection for a wide range of applications
- ✓ Safer connection thanks to polarization against mismatching and touch-proof protection according to DIN EN 0105
- ✓ Easy and safe - with the cable connector, you can repair or extend cables quickly, in combination with the connector as well as the coupling connection

Key Commercial Data

| | |
|--------------------------------------|--------------------------------|
| Packing unit | 1 pc |
| GTIN | |
| GTIN | 4046356552165 |
| Weight per Piece (excluding packing) | 59.900 g |
| Custom tariff number | 85366990 |
| Country of origin | Germany |
| Note | Made to Order (non-returnable) |

Technical data

General

| | |
|--------------------------|--------------------|
| Type | QPD 4x2,5 |
| Color | gray |
| Locking type | Screw locking |
| Connection method | QUICKON connection |
| | IDC connection |
| Number of positions | 4 |
| Note number of positions | 4 |

Conductor connectors - QPD CW 4X2,5/1X6-10 GY - 1582536

Technical data

General

| | |
|---------------------------------------|---------------------|
| Wrench size, union nut | 22 mm |
| Tightening torque, union nut | 5 Nm |
| Tightening torque, counter nut | 5 Nm |
| Wrench size, counter nut | 27 mm |
| Number of connections | 10 |
| Conductor cross section flexible min. | 1 mm ² |
| Conductor cross section flexible max. | 2.5 mm ² |
| Conductor cross section solid min. | 1 mm ² |
| Conductor cross section solid max. | 2.5 mm ² |
| Conductor cross section AWG min. | 16 |
| Conductor cross section AWG max. | 14 |

Cabel

| | |
|---|--|
| Structure of individual litz in acc. with VDE 0295 / smallest wire diameter | VDE 0295 class 1 to 6/min. 0.15 mm |
| Wire insulation material | PVC/PE/TPE/rubber |
| Wire diameter including insulation | 2 mm ... 3.8 mm |
| External cable diameter | 6 mm ... 10 mm (Order Quickon nuts or Quickon connectors separately) |
| Position marking | 1, 2, 3, 4 |

Ambient conditions

| | |
|---|-------------------|
| Degree of protection | IP66 |
| | IP68 (2 m / 24 h) |
| | IP69K |
| Ambient temperature (operation) | -40 °C ... 100 °C |
| Ambient temperature (storage/transport) | -40 °C ... 100 °C |
| Temperature when conductor connected | -5 °C ... 50 °C |

Electrical characteristics

| | |
|--------------------------------|--------|
| Nominal current I _N | 20 A |
| Rated current | 20 A |
| Rated voltage (III/3) | 630 V |
| Rated voltage (III/2) | 1000 V |
| Rated voltage (II/2) | 1000 V |
| Rated surge voltage (III/3) | 6 kV |
| Rated surge voltage (III/2) | 8 kV |
| Rated surge voltage (II/2) | 8 kV |

Mechanical characteristics

| | |
|-----------------------------|-------------------------------------|
| QUICKON connectability | max. 10 |
| Insertion/withdrawal cycles | >= 50 (QUICKON connections max. 10) |
| Category of shock impact | IK07 |

Material data

Conductor connectors - QPD CW 4X2,5/1X6-10 GY - 1582536

Technical data

Material data

| | |
|--|------------|
| Contact material | CuZn |
| Contact surface material | Tin-plated |
| Contact carrier material | PA |
| Insulating material | PA |
| Flammability rating according to UL 94 | V0 |
| Overvoltage category | III |
| Degree of pollution | 3 |

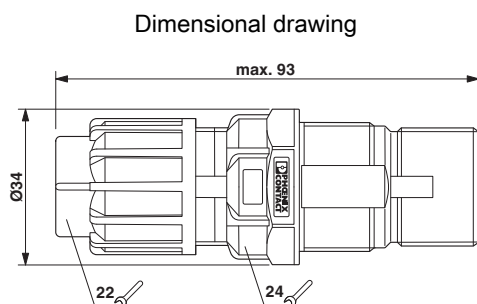
Standards and Regulations

| | |
|--|----|
| Halogen-free | no |
| Flammability rating according to UL 94 | V0 |

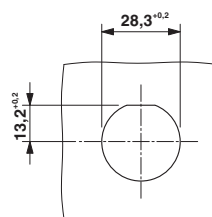
Environmental Product Compliance

| | |
|------------|---|
| China RoHS | Environmentally friendly use period: unlimited = EFUP-e |
| | No hazardous substances above threshold values |

Drawings



Dimensional drawing



Panel cutout

Dimensional drawing

Classifications

eCl@ss

| | |
|------------|----------|
| eCl@ss 4.0 | 272607xx |
| eCl@ss 4.1 | 27260701 |
| eCl@ss 5.0 | 27143424 |
| eCl@ss 5.1 | 27143400 |
| eCl@ss 6.0 | 27143400 |
| eCl@ss 7.0 | 27440605 |
| eCl@ss 8.0 | 27440605 |
| eCl@ss 9.0 | 27440605 |

ETIM

| | |
|----------|----------|
| ETIM 4.0 | EC000516 |
|----------|----------|

Conductor connectors - QPD CW 4X2,5/1X6-10 GY - 1582536

Classifications

ETIM

| | |
|----------|----------|
| ETIM 5.0 | EC002560 |
| ETIM 6.0 | EC002560 |

UNSPSC

| | |
|---------------|----------|
| UNSPSC 6.01 | 30211923 |
| UNSPSC 7.0901 | 39121522 |
| UNSPSC 11 | 39121522 |
| UNSPSC 12.01 | 39121522 |
| UNSPSC 13.2 | 39121402 |

Approvals

Approvals

Approvals

GL / IECCEB Scheme / VDE Zeichengenehmigung / EAC

Ex Approvals

Approval details

| | | | |
|----|--|---|------------|
| GL | | http://exchange.dnv.com/tari/ | 6195914 HH |
|----|--|---|------------|

| | | | |
|-----------------|--|---|-----------|
| IECEE CB Scheme | | http://www.iecee.org/ | DE1-58228 |
|-----------------|--|---|-----------|

| | | | |
|------------------------|--|---|----------|
| VDE Zeichengenehmigung | | http://www2.vde.com/de/Institut/Online-Service/VDE-gepruefteProdukte/Seiten/Online-Suche.aspx | 40029149 |
|------------------------|--|---|----------|

| | |
|----------------------------|---------|
| Nominal voltage UN | 690 V |
| Nominal current IN | 20 A |
| mm ² /AWG/kcmil | 1.5-2.5 |

| | | |
|-----|--|--------------------------|
| EAC | | RU C- DE.AI30.B.01102 |
|-----|--|--------------------------|

Conductor connectors - QPD CW 4X2,5/1X6-10 GY - 1582536

Accessories

Accessories

Coding element

Coding profile - CP-QPD - 1582459



Coding profile red, for pushing into the QUICKON dome and connector, can be positioned in 90° steps.

Device marking

Engraving material - GPE 13X 9 WH - 0806932



Engraving material, Sheet, white, unlabeled, can be labeled with: PLOTMARK, ENGRAVING UNIT, CMS-P1-PLOTTER, P1 ENGRAVING UNIT, mounting type: adhesive, lettering field size: 13 x 9 mm

Installation pressure nut

Nut - QPD N 2,5 6-10 BK - 1582226



Nut, QUICKON connection, number of positions: 3+PE, 1 mm² ... 2.5 mm², 690 V, 20 A, black, cable diameter range: 6 mm ... 10 mm

Nut - QPD N 2,5 9-14 BK - 1582229



Nut, QUICKON connection, number of positions: 3+PE, 1 mm² ... 2.5 mm², 690 V, 20 A, black, cable diameter range: 9 mm ... 14 mm

Protective cap

Protective cap - QPD QSK 2,5 FS - 1582488



Plastic protective cap, for QPD-QUICKON connectors, green, with holding band, IP68

Conductor connectors - QPD CW 4X2,5/1X6-10 GY - 1582536

Accessories

Seal

Seal - KV-DI-PG16-1XASI - 1582462



Seal for one AS-i line, 17.2 x 9 mm, from NBR, black, for IP65/67 degree of protection

Seal - KV-DI-PG16-2XASI - 1582464



Seal for two AS-i lines, 17.2 x 9 mm, from NBR, black, for IP65/67 degree of protection

Sealing plugs

Closing cap - SEALING PLUG 10X16 RD - 1400284



Closing cap, PA, for threads pluggable, color: red

Socket spanner

Socket wrench - QSS 22 - 1670206



Allen wrench, for loosening and fastening the QUICKON union nut, WAF 22 mm

Connector - QPD P 3PE2,5 6-10 BK - 1582202



Connector, QUICKON connection, number of positions: 3+PE, 1 mm² ... 2.5 mm², 690 V, 20 A, black, cable diameter range: 6 mm ... 10 mm

Conductor connectors - QPD CW 4X2,5/1X6-10 GY - 1582536

Accessories

Connector - QPD P 3PE2,5 9-14 BK - 1582205



Connector, QUICKON connection, number of positions: 3+PE, 1 mm² ... 2.5 mm², 690 V, 20 A, black, cable diameter range: 9 mm ... 14 mm