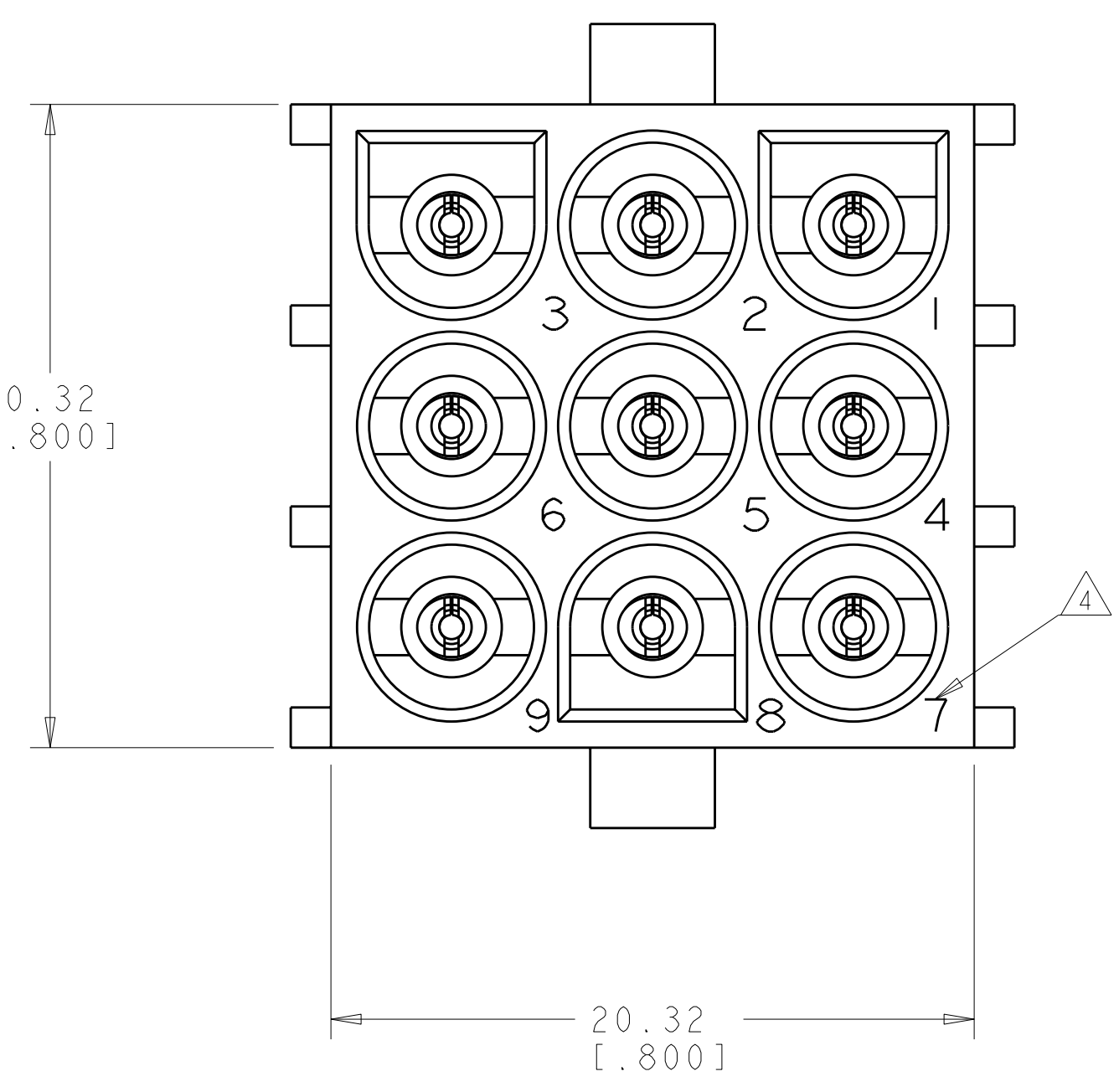
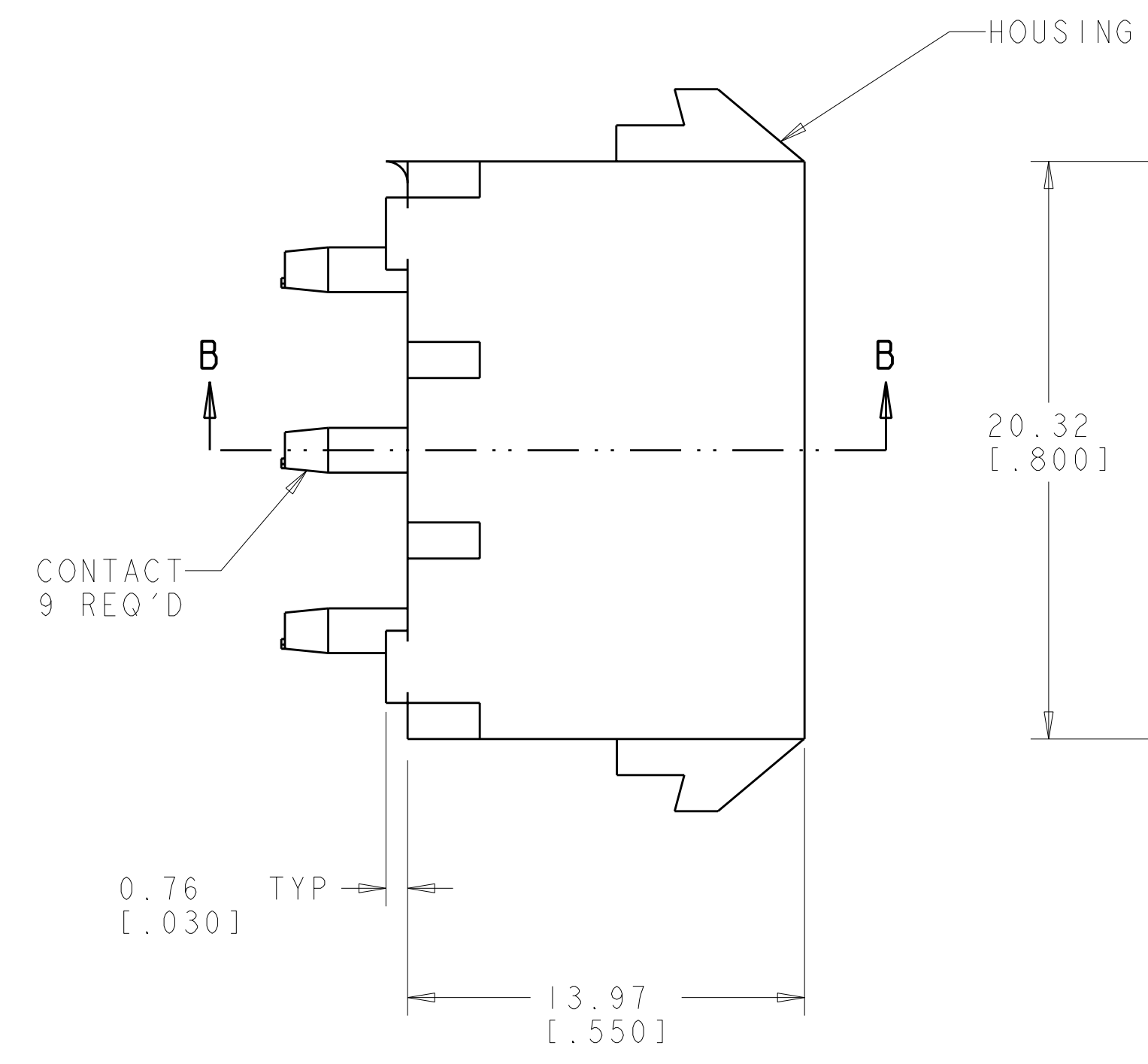
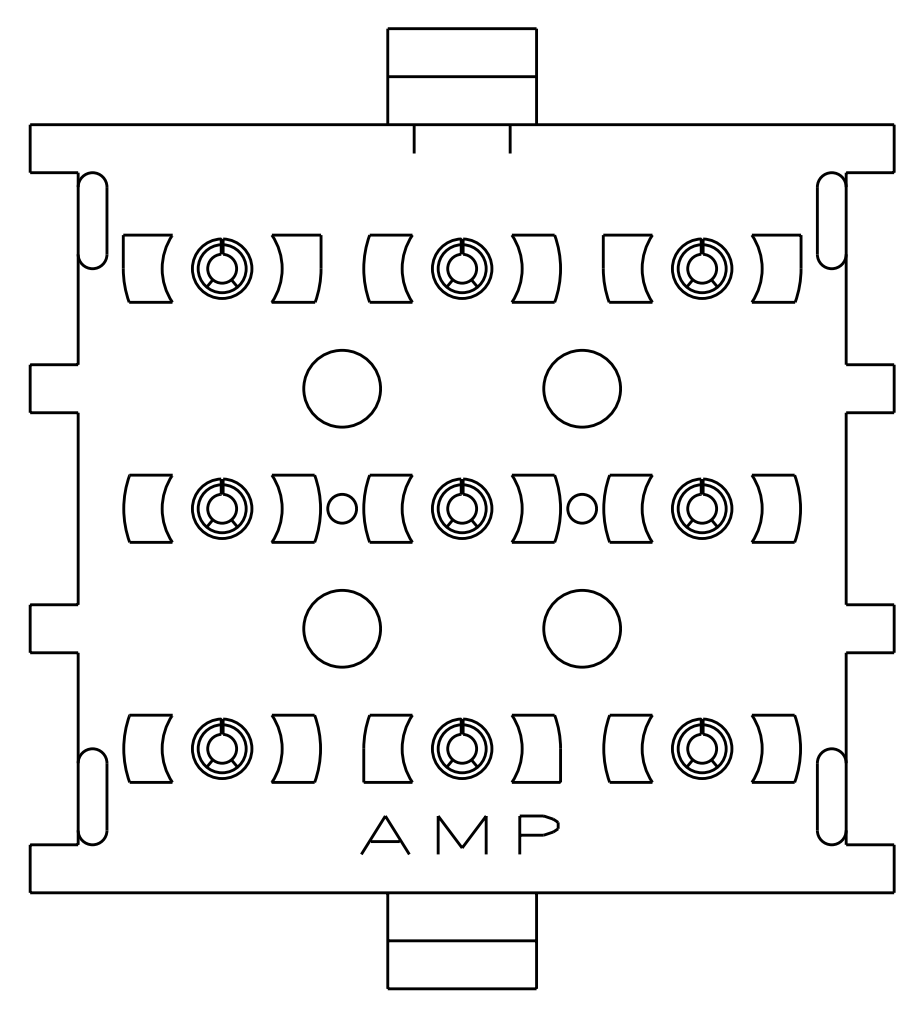
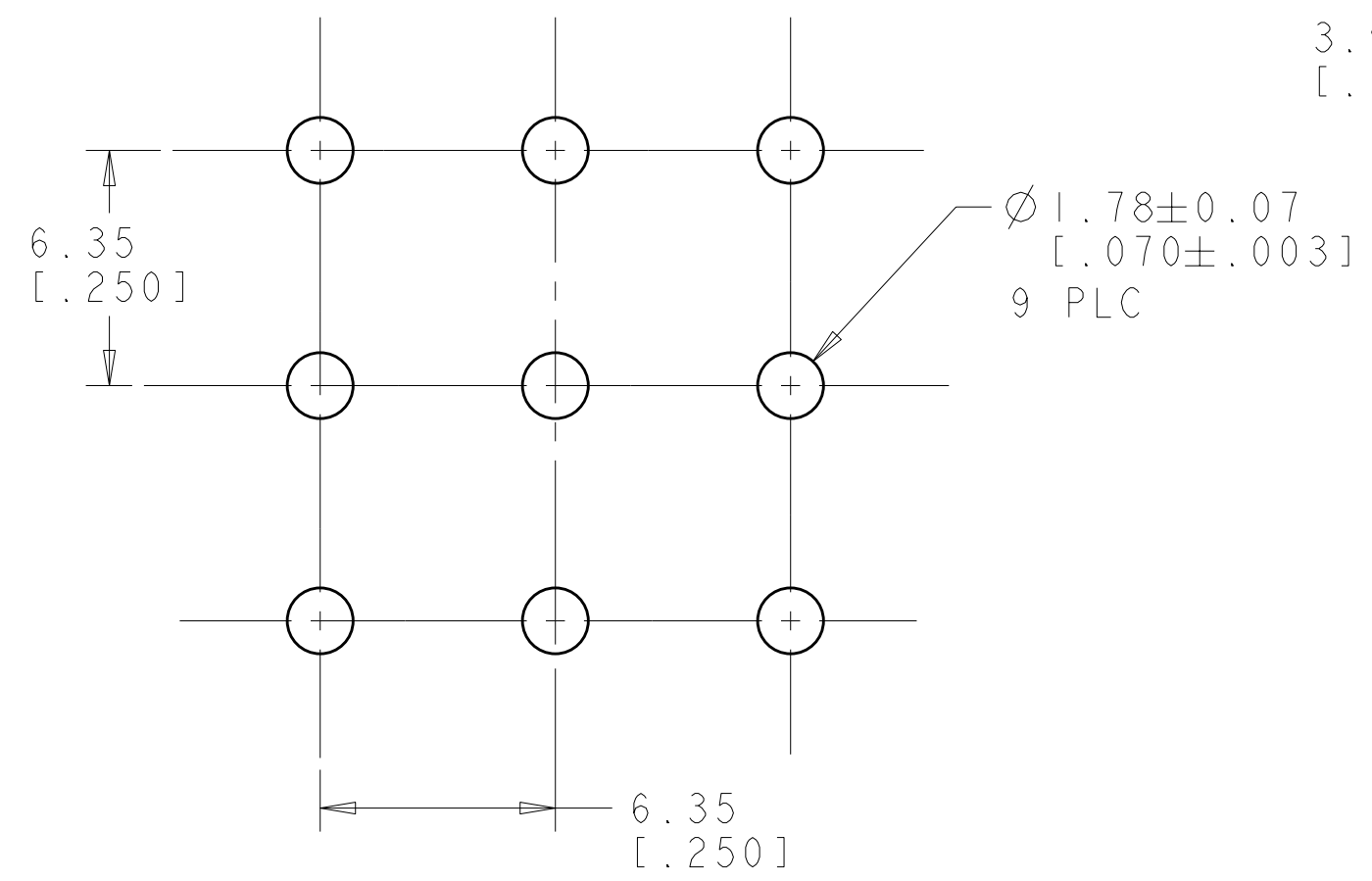
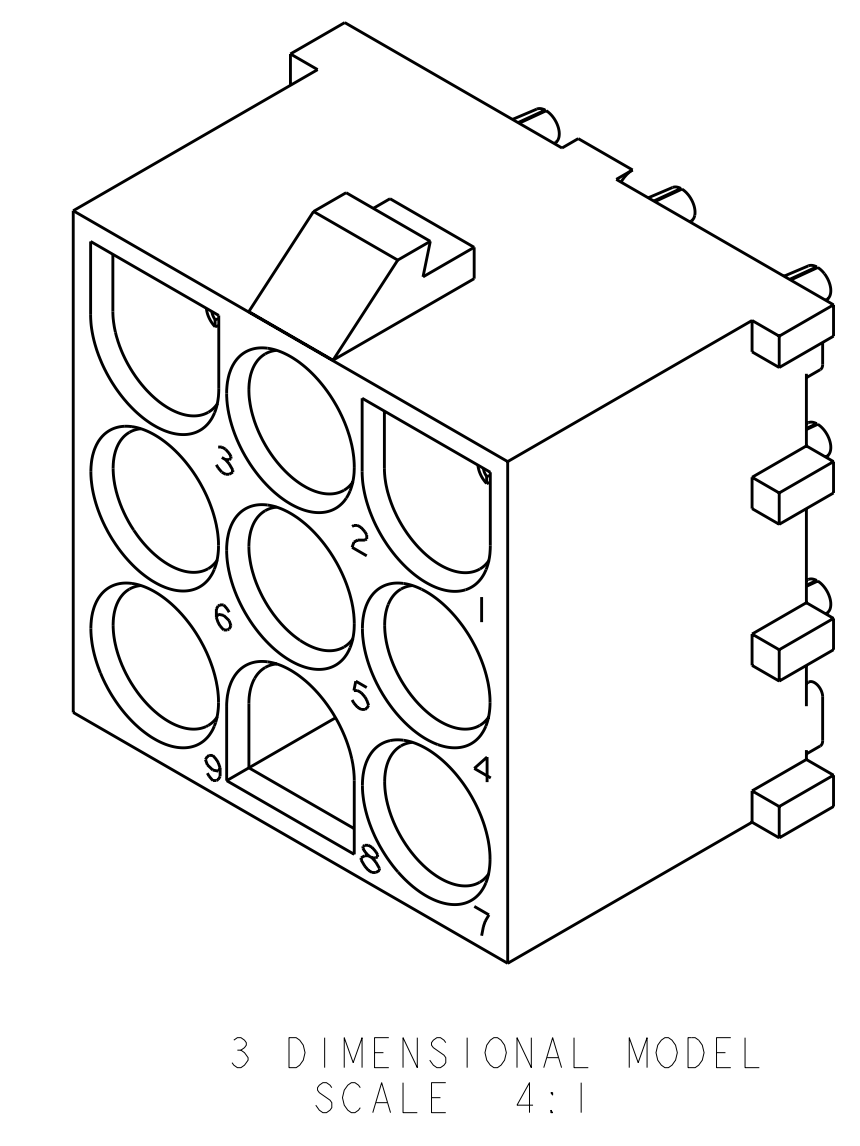
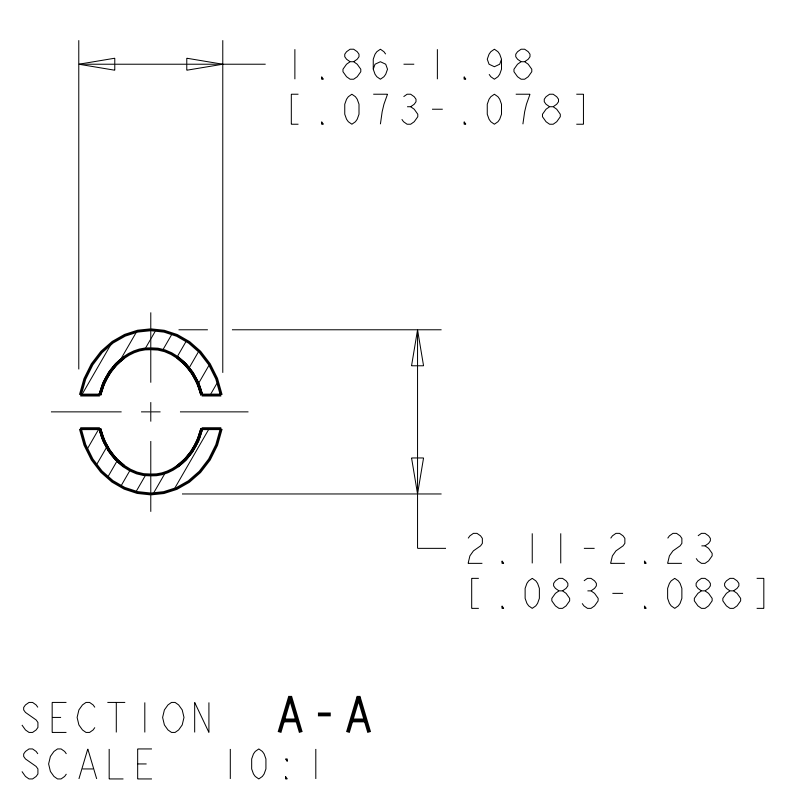
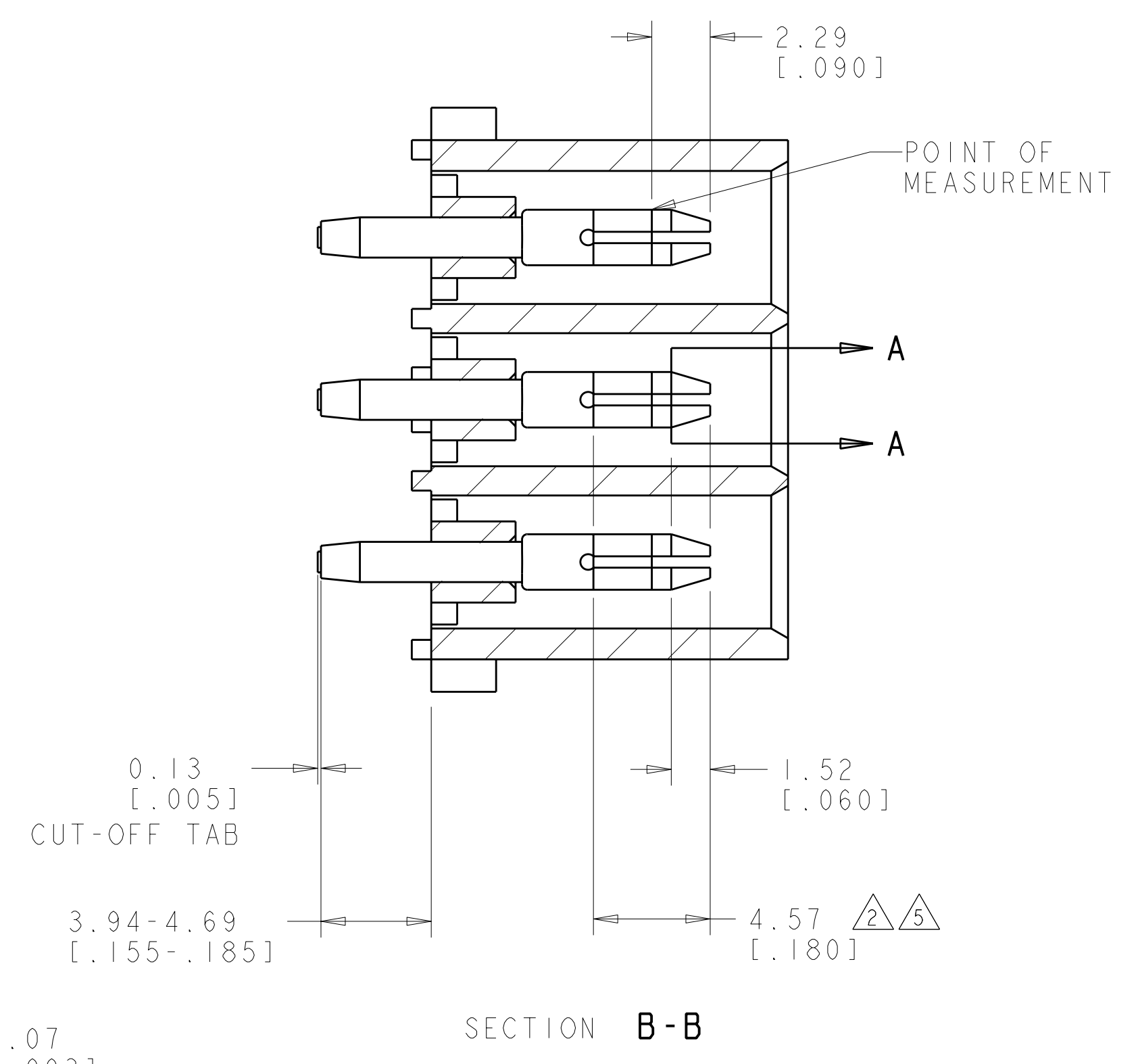


LOC	DIST	REV	DATE	BY	CHKD	APVD
CM	00	R1	17MAR2011	RK	HMR	



- PARTS COMPLY TO AMP SOLDERABILITY SPECIFICATION 109-11-3.
- CONTACT IS PLATED OVERALL WITH 0.00127 [.000050] NICKEL, THEN 0.00076 [.000030] GOLD OVER CONTACT LENGTH INDICATED AND TIN LEAD ON SOLDER TAIL END.
- MATES WITH HOUSING 350720.
- CIRCUIT IDENTIFICATION CHARACTERS ARE ADJACENT TO THE INDICATED CAVITIES, BUT LOCATION AND ORIENTATION MAY DIFFER FROM PRINT.
- CONTACT IS PLATED OVERALL WITH 0.00127 [.000050] NICKEL, THEN 0.00076 [.000030] GOLD OVER CONTACT LENGTH INDICATED AND MATTE TIN ON SOLDER TAIL END.
- DIMENSIONS IN BRACKETS ARE IN INCHES.



RECOMMENDED MOUNTING HOLE PATTERN FOR 1.57 [.062] THICK P.C. BOARD

PIN CONTACT MATERIAL AND FINISH	HOUSING MATERIAL AND COLOR	PART NUMBER
PHOSPOR BRONZE, GOLD $\Delta 5$	NYLON, UL94V-0, NATURAL	350712-4
PHOSPOR BRONZE, GOLD $\Delta 2$	NYLON, UL94V-0, NATURAL	350712-2
PHOSPOR BRONZE, PRE-TIN	NYLON, UL94V-0, NATURAL	350712-1



THIS DRAWING IS A CONTROLLED DOCUMENT.		DWN: R. WHITAKER 25JULY2005 CHK: S. RIDGILL 25JULY2005 APVD: S. RIDGILL 25JULY2005	NAME: PIN HEADER ASSEMBLY, 9 CIRCUIT, UNIVERSAL MATE-N-LOK(TM) SIZE: A100779 CAGE CODE: C=350712 DRAWING NO: 350712
DIMENSIONS: mm [INCHES] DIMENSIONS: 9 PLC ±, 1 PLC ±, 5 PLC ±, 4 PLC ±, ANGLES ±	TOLERANCES UNLESS OTHERWISE SPECIFIED: DIMENSIONS: ±, ±0.13(.005), ±, ±, ±	PRODUCT SPEC: APPLICATION SPEC: WEIGHT: - FINISH: SEE TABLE	CUSTOMER DRAWING SCALE: 1:1 SHEET: 1 OF 1 REV: R1